

# Data Sheet

## PR035xxVBHC

Page 1/5

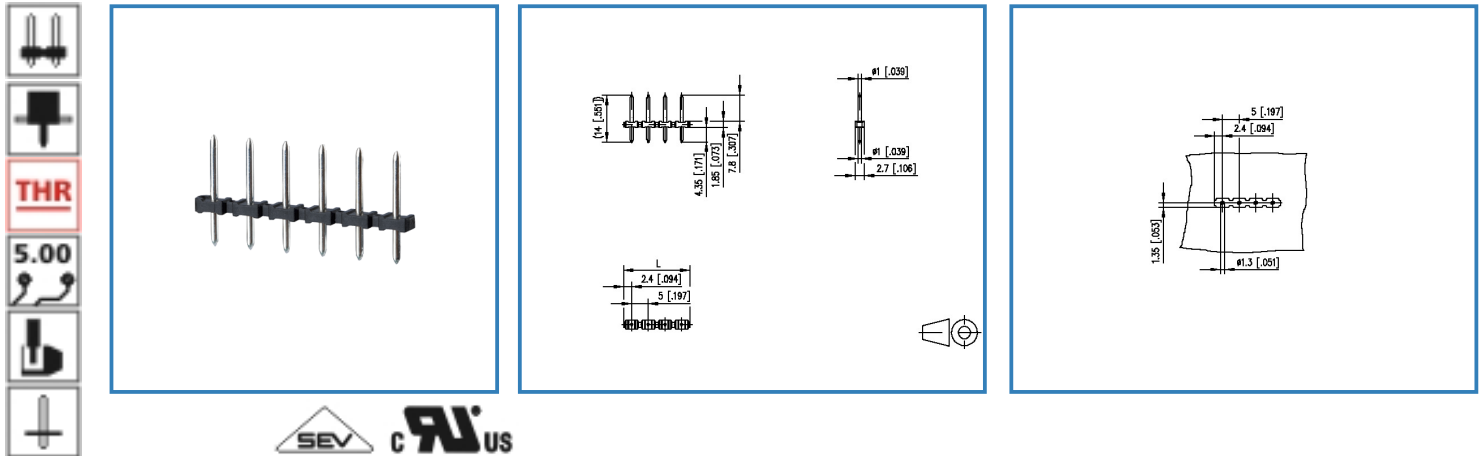
P/N

310461xx

xx=number of poles

2013/12/05

### Illustration



see enlarged drawing at the end of the document

### Product specification

- pin header, THR solderable
- centerline 5.00 mm, direction of connection vertical 0°
- fittable without loss of poles
- color black
- Tape & Reel packaging
- Connection data

**cRUUS** V / A 300 / 10

**SEV** 13.5 A / 250 V / 4 kV / 3 / IEC 61984

# Data Sheet

## PR035xxVBHC

Page 2/5

P/N

310461xx

xx=number of poles

2013/12/05


### Technical Data

#### General Data

Solder pin length	4.35 mm		
min. number of poles	2		
max. number of poles	24		
Insulating material class	CTI 400		
clearance/creepage dist.	4 mm		
protection category	IP 00		
Overvoltage category	III	III	II
Pollution degree	3	2	2
Rated voltage	250 V	500 V	500 V
Rated test voltage	4.0 kV	4 kV	4.0 kV

#### Connection data

 V / A	300 / 10
---	----------

	13.5 A / 250 V / 4 kV / 3 / IEC 61984
--	---------------------------------------

#### Material

insulating material	PA46
flammability class	V0
contact pin material	CuZn
contact pin surface	Ni + Ag

#### Climatic properties

upper limit temperature	105 °C
lower limit temperature	-40 °C

#### General

solderability	For THR products acc. to IPC/JEDEC J-STD-020D-MSL 1   For THT products max. 260 °C / 10 s
Tolerance	ISO 2768 -mH

# Data Sheet

## PR035xxVBHC

Page 3/5

P/N

310461xx

xx=number of poles

2013/12/05

### Matching Part to

P/N	Product name
311571	RP095xxRBWC Typ 157
311571XX-002730	RP095xxBBWC Typ 157
311571XX-002740	RP095xxHBWC Typ 157
ASP145	SP145xxHBNC ASP145
ASP145XX22-301	SP145xxHBPC with finger push-button
ASP155	SP155xxHBNC ASP155
ASP155XX22-301	SP155xxHBPC with finger push-button
SP145XXHBNC (on request)	SP145xxHBNC ASP145
SP155XXHBNC (on request)	SP155xxHBNC ASP155



# Data Sheet

## PR035xxVBHC

Page 4/5

P/N

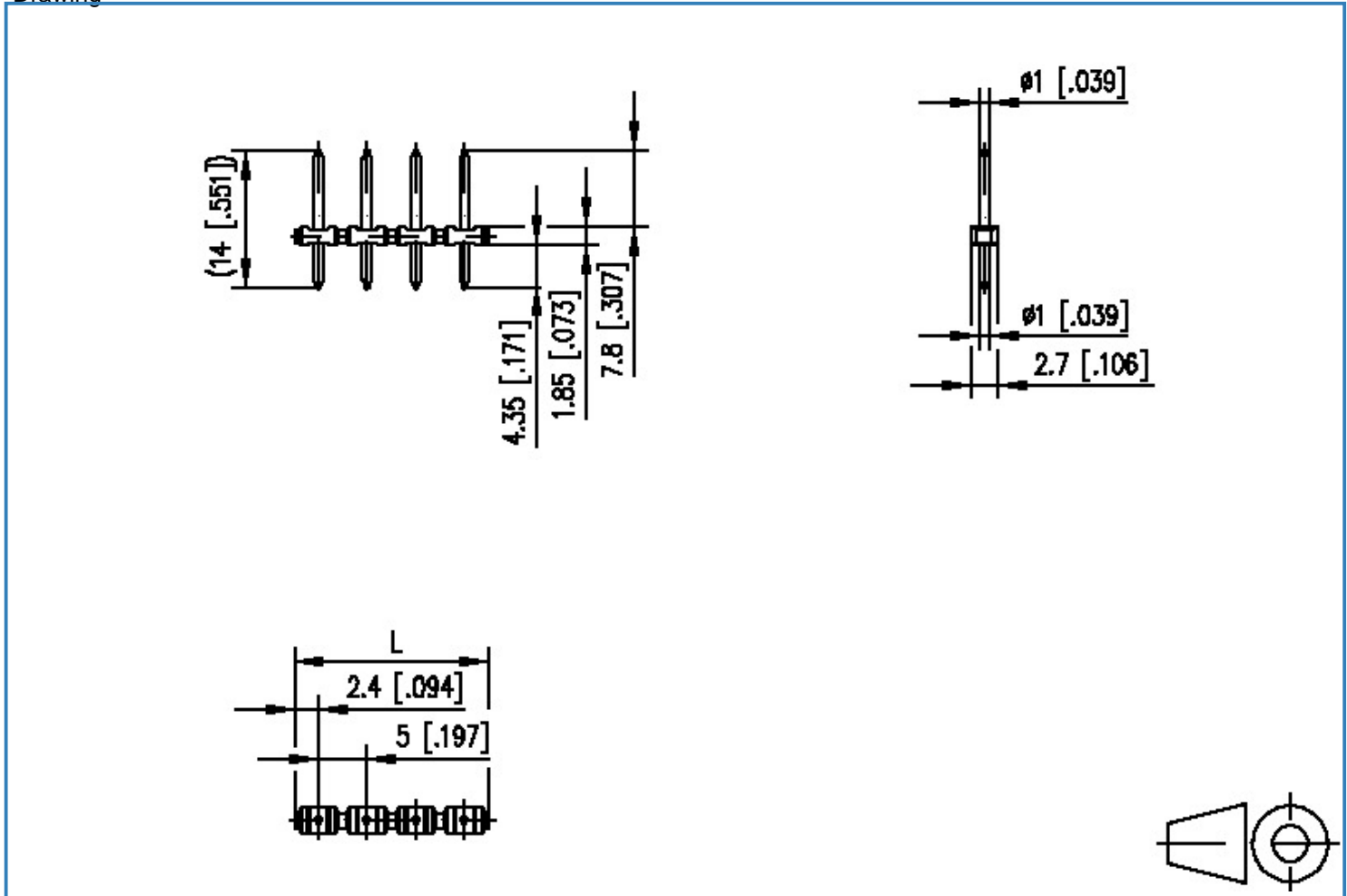
310461xx

xx=number of poles

2013/12/05

### Illustration

Drawing



$L = (\text{pole size} - 1) \times \text{centerline} + 4.8$  [0.189]



# Data Sheet

## PR035xxVBHC

Page 5/5

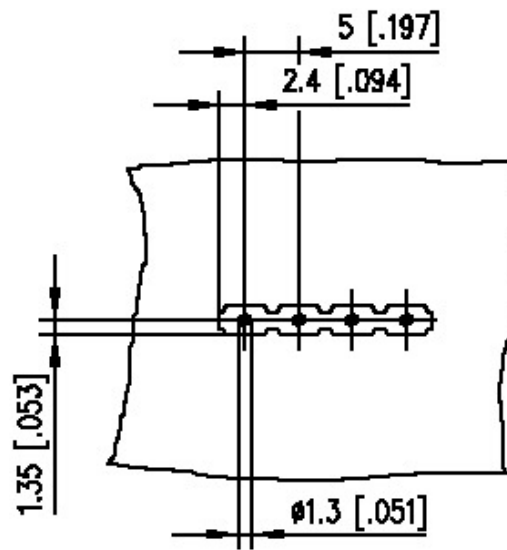
P/N

310461xx

xx=number of poles

2013/12/05

### PCB Layout



## X-ON Electronics

Largest Supplier of Electrical and Electronic Components

*Click to view similar products for [Headers & Wire Housings](#) category:*

*Click to view products by [Metz](#) manufacturer:*

Other Similar products are found below :

[95000-104TRLF](#) [10135584-644402LF](#) [DF62W-EP2022PCA](#) [95000-106TRLF](#) [DF62W-2022SCA](#) [DF62W-EP2022PC](#) [2203348](#) [DF62W-2022SC](#) [1084018](#) [1029039](#) [1084017](#) [802-10-012-10-002000](#) [1112640](#) [1112639](#) [000-34000](#) [0009482033](#) [0009507031](#) [57102-S06-03LF](#) [57202-S52-04LF](#) [PCN6-15S-2.5E](#) [0039019024](#) [58102-G61-06LF](#) [582553-1](#) [0009485154](#) [0009508121](#) [0022285053](#) [0050291907](#) [018731A](#) [LY20-4P-DT1-P1E-BR](#) [02.125.8002.8](#) [60101931](#) [60598-1 \(Cut Strip\)](#) [M1625-3R/100](#) [61062-3](#) [61082-181009](#) [636-1427](#) [638009-1](#) [641938-9](#) [641991-4](#) [644168-1](#) [647662-1](#) [65039-019ELF](#) [65781-018](#) [65781-047](#) [65817-002LF](#) [65817-015LF](#) [65863-015LF](#) [66207-023LF](#) [67016-026LF](#) [67046-001LF](#)