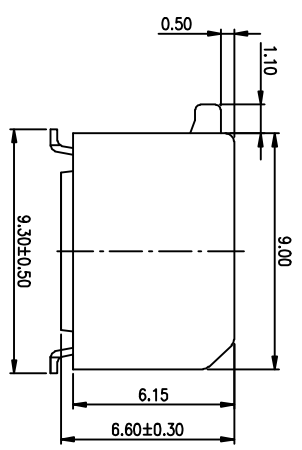
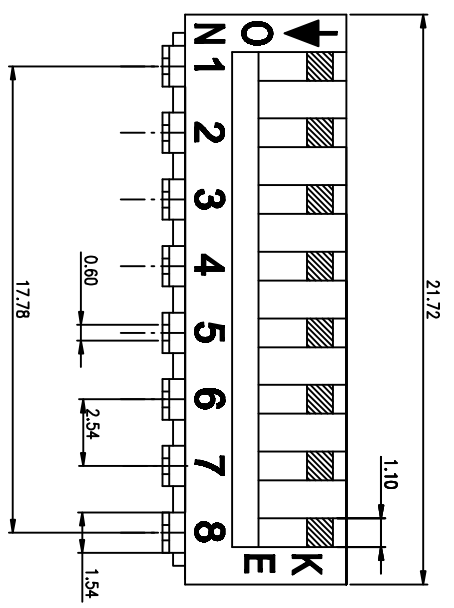


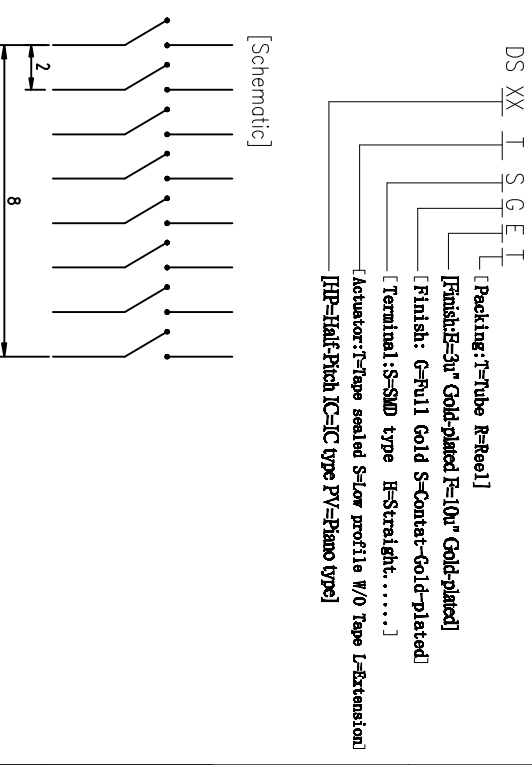
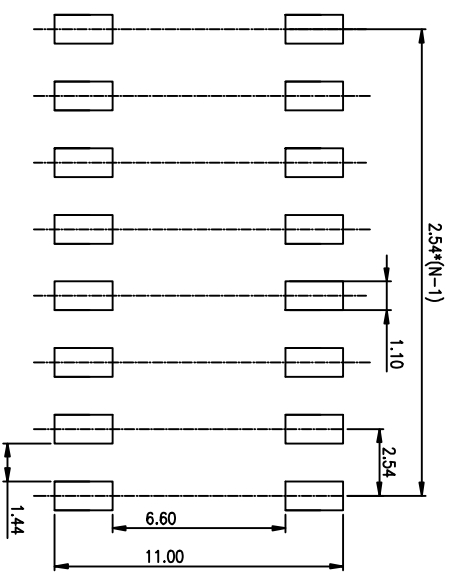
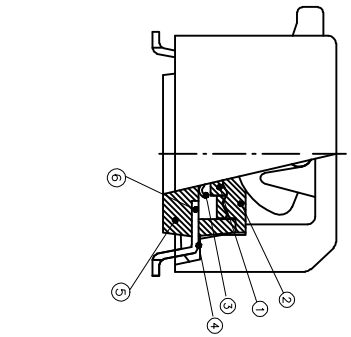
PRODUCT NO. DSPV08LSCGT  
RoHS compliant

NOTES : 1 Specification:  
1>.Operating force:10000gf Max  
2>.Operating Temperature: -40° to+85°  
3>.Storage Temperature: -40° to+85°  
4>.Mechanical Life:3000cycles minimum  
5>Electrical Life:2000cycles minimum

REV.	ECN NO.	DR	DATE



- CONTACT RATING:  
1. SWITCHING: 25mA at 24VDC  
2. NON-SWITCHING: 100mA at 50VDC  
WITH 50u" NICKEL UNDERPLATINGOVERALL.
- PART NUMBER DESCRIPTION :



DS XX I S G E T  
 [Packing: T=Tube R=Reel]  
 [Finish: F=3u" Gold-plated F=10u" Gold-plated]  
 [Finish: G=Full Gold S=Contact-Gold-plated]  
 [Terminal: S=SMD type B=Strait:.....]  
 [Actuator: T=Tape sealed S=Low profile W/O Tape L=Extension]  
 [HP=Half Pitch IC=IC type PV=Plano type]

Number	Part Name	Material	Finished
①	Actuator	UL94 V0	White
②	Cover	UL94 V0	Black
③	Movable	Copper Alloy	3u" Gold
④	Terminal	Brass	1u" Gold
⑤	Base	UL94 V0	Black
⑥	Terminal Contact	Brass	3u" Gold

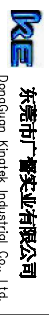
TOLERANCE UNLESS OTHERWISE SPECIFIED		INSPECTION COPY	
LINER	ANGLES	PROJECTION	
0 ± 0.25	0 ± 2'		
.00 ± 0.15	.0 ± 1'		
.000± 0.10	.00± 0.5'		

DESIGN	03/20/12'
DRAWING	
CHECK	
APPRO.	

FILE NO.	DSPV08LSCGT-A
SIZE	UNIT SCALE SHEET REV.
A4	mm Z : 1 TOP:1 A



东莞市广睿实业有限公司  
Dongguan Kingtek Industrial Co., Ltd.

BY DSPV SERIES PITCH 2.54mm  
PRODUCT FAMILY DSPV SERIES  
PRAT NO. DSPV08LSCGT

## X-ON Electronics

Largest Supplier of Electrical and Electronic Components

*Click to view similar products for [DIP Switches/SIP Switches](#) category:*

*Click to view products by [DGI](#) manufacturer:*

Other Similar products are found below :

[09.400BP.04](#) [106-EM04-EV](#) [106-EM08-EV](#) [106-LP04-EV](#) [106-LPD04-EV](#) [106-SDN06-EV](#) [1-1437507-0](#) [1-1437507-6](#) [1-1571983-1](#) [1-1571983-3](#) [1-1571983-4](#) [1-1571983-5](#) [1-1571998-3](#) [1-1571999-1](#) [1-1571999-6](#) [1-161347-2](#) [1-1825002-0](#) [1-1825002-3](#) [1-1825002-4](#) [1-1825002-7](#) [1-1825002-8](#) [1-1825006-1](#) [1-1825006-3](#) [1-1825006-6](#) [1-1825006-7](#) [1-1825006-9](#) [1-1825007-0](#) [1-1825007-3](#) [1-1825008-0](#) [1-1825008-2](#) [1-1825013-1](#) [1-1825013-7](#) [1-1825013-9](#) [1-1825057-0](#) [1-1825058-3](#) [1-1825058-6](#) [1-1825058-9](#) [1-1825059-1](#) [1-1825059-2](#) [1-1825059-3](#) [1-1825059-4](#) [1-1825059-7](#) [1-1825059-8](#) [1-1825059-9](#) [1-1825190-0](#) [1-1825286-0](#) [1-382394-5](#) [1-382394-7](#) [1-435802-5](#) [1-435802-](#)