



产品规格书

Fuses Specification

1. 适用范围 (Available range) :

本保险丝适用于保护家用电器，电子仪器，电源供应器、显示器等。

For protecting instruments, power supply devices and telephone sets etc.

2. 型号定义解释 (Model meaning):

2T: 慢断系列产品 (2T: Slow Blow Fuses)

2F: 快断系列产品 (2F: Quick Blow Fuses)

3. 相关标准 (Safety Standards) : UL248-1, UL248-14, CSA C22.2 NO. 248.1-00, CSA C22.2 NO. 248.14-00

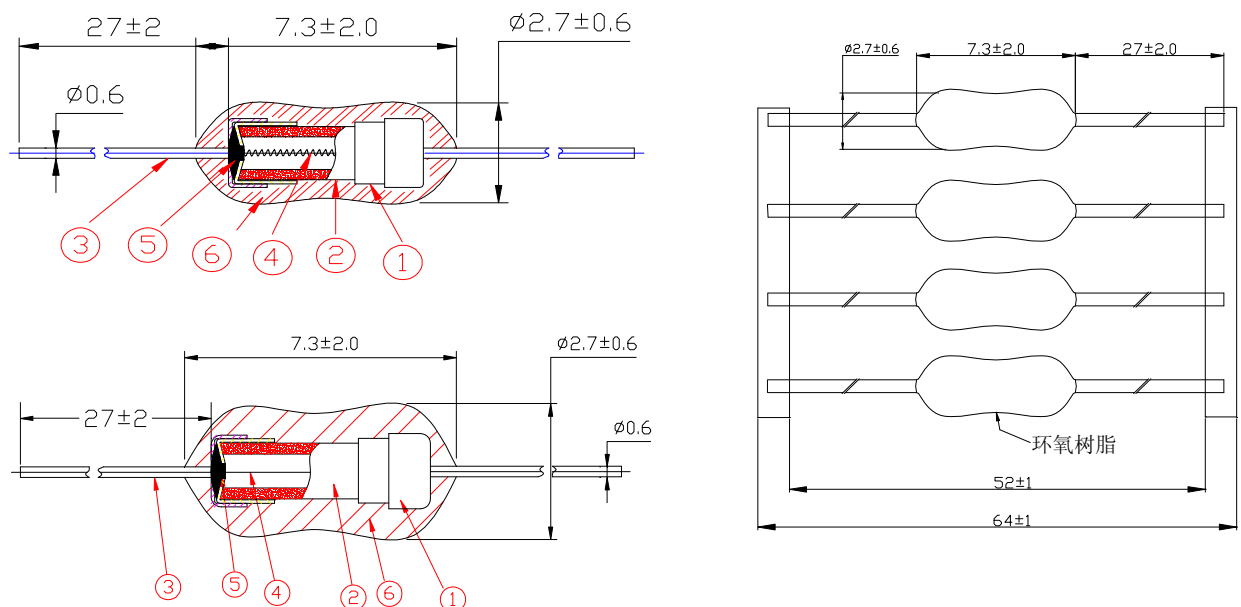
通过认证 (Approved file No):



4. 尺寸与结构 (Size and Structure):

4.1 外形、结构及尺寸 (The out view, construction and dimensions):

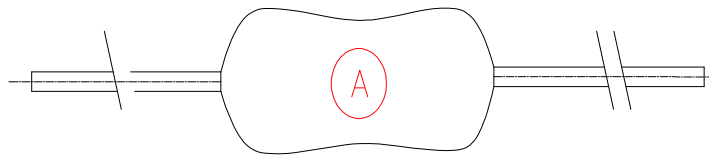
参考下图 Refer to the following figure.






编号 No.	部件 Part Name	材料 Material	备注 Remarks
①	铜帽 Brass Cap	镀镍黄铜 Nickel plated copper	
②	陶瓷管 Ceramic Tube	陶瓷 ceramic	
③	带线 Pigtail	镀锡铜线 stannum plated copper	
④	熔丝 Fuse Element	合金 Alloy	
⑤	焊锡 Solder	锡线 (Sn99. 3%Cu0. 7%) Solder wire(Sn99. 3%Cu0. 7%)	RoHS
⑥	绝缘涂层 Insulating Coat	环氧树脂 Epxoy Resin	

4. 型号及标示 (Catalogue No.,and indication)



型号 Catalogue No.	A 表示 Indication A	备注 Remarks
		额定电流 Rated Voltage/Current
2T/2F Sereis	 250mA-10A	UR: E249609



4.3 管体 (Tube)

管体本体无破裂、缺损等现象。

The tube shall have no defects such as crack, injury and contamination.

4.4 铜帽 (Brass caps)

铜帽应焊接牢固，以保证在未损坏熔断体时，铜帽不能被卸脱。铜帽表面镀层应结实，端帽两端均可承受大小至少为 5N、保持 1min 的轴向拉力。

The cap should be firmly attached so that it is not possible to remove them without damaging the fuse itself. The plated material should be firm. Each of the cap should be bear an axial pull of 5N for 1min.

4.5 焊点 (Soldering joint)

焊接铜帽端时，残留的助焊剂及焊锡等异物不应超出铜帽口和沾附在保险管外表面。

Soldering joint in end cap shall not melt during normal operation and shall not have solder clips on the tube, element in view and outer surface of caps.

4.6 引脚 (Lead)

保险管引脚应铆接牢固，作如下测试时，保险管引脚不应有松动或损坏：

The fuse-links lead should be firmly attached, At the conclusion of testing, the fuse-links lead shall remain firmly attached:

- 1) 拉力测试：固定保险管本体，对引脚施加 10N 的轴向拉力 1min。

Tensile: the force applied shall be 10N

- 2) 推力测试：固定保险管本体，对引脚施加 2N 的轴向推力 1min。

Thrust: the force applied shall be 2N

- 3) 弯折测试：距离铜帽约 2mm 的地方将引脚弯折 90° 一次，并且施加 5N 的拉力。

Bending: the force applied shall be 5N and the number of bends shall be one.



5. 机械特性 (Mechanical characteristics)

保险丝应能承受下列试验:

Fuses should endure both of the following tests:

5.1 扭力试验: 固定保险丝的一端铜帽, 然后在另一端铜帽上顺时针和逆时针方向上顺序施加 50g.cm 力矩, 两端铜帽不应松动, 管体也不应破碎。

Wresting test: Fixed one cap of the fuse, applied 50g.cm of torsion power in clockwise and counter-clockwise on the other cap, as a result, the tube shall be no damage and the cap should be no loosening.

5.2 拉力试验: 固定保险丝的一端铜帽, 然后在另一端铜帽上, 沿水平轴方向施加 5N 的拉力 1min, 两端铜帽不应松动且管体不应破碎。

Pulling test: Fixed one cap of the fuse, applied level pull force of 5N to the other cap for 1 minute, there shall be no damage with the tube and no loosening with the caps and the pigtails.

5.3 管子强度试验: 保险管两端固定好后, 在管体的中心位置施加 10N 的压力, 管体不应破碎。

Stress test: Fixed two caps of the fuse, applied the stress of 10N to the tube center, there shall be no damage with the tube.

6. 电气特性 (Electrical performance)

6.1 测试条件 (Testing Ambient)

测试条件都应在下列大气条件下进行:

All tests should be carried out under the following conditions:

-温度 (Surrounding temperature): 15°C ~ 35°C;

-相对湿度 (Relative humidity): 45% ~ 75%;

-大气压力 (Atmosphere pressure): 8.6×10^4 Pa ~ 1.06×10^5



6.2 时间/电流特性 (Time-current Characteristic)

电流 (In ratio) 型号类别 (Type)	100%	200%
2T 系列 Series	> 4h	≤ 60s
2F 系列 Series	> 4h	≤ 60s

6.3 分断能力 (Breaking capacity)

1) AC 250V 25A 分断电流测试。

Breaking capacity test:25A (AC250V).


2) 每一次测试，保险管能安全动作，不能出现以下现象：

In each of the tests, the fuse-link shall operate satisfactorily without any of the following phenomena:

- 持续电弧;
- permanent arcing;
- 引燃;
- ignition;
- 保险管爆炸;
- Bursting of the fuse-link.

注意：颜色改变不认为是不合格。

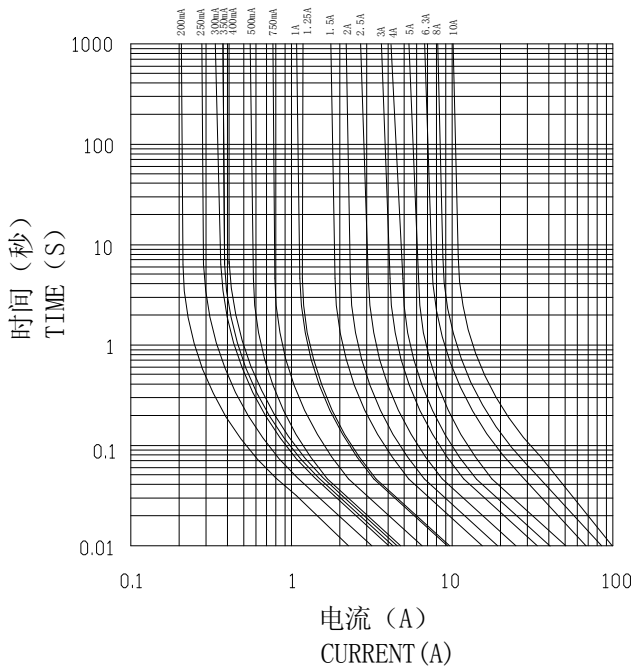
NOTE: changes in color are not considered as a failure.

型号 Model	额定电流 Rated Current	安全认证分断电流 Safe attestation Breaking current
		
2T/2F 系列 2T /2F Series	250mA-10A	25A AC 250V

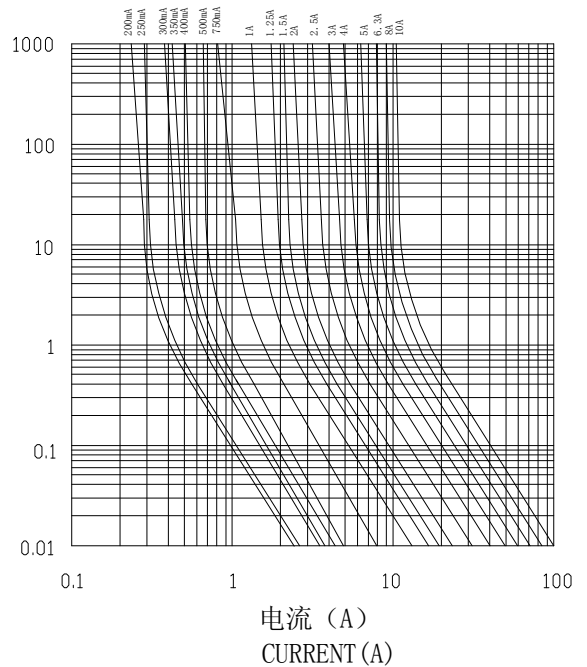


6.4 时间电流特性曲线图 (Time-current curves)

2F I-T Characteristics Curves



2T I-T Characteristics Curves



6.5 耐久性试验 (Endurance test)

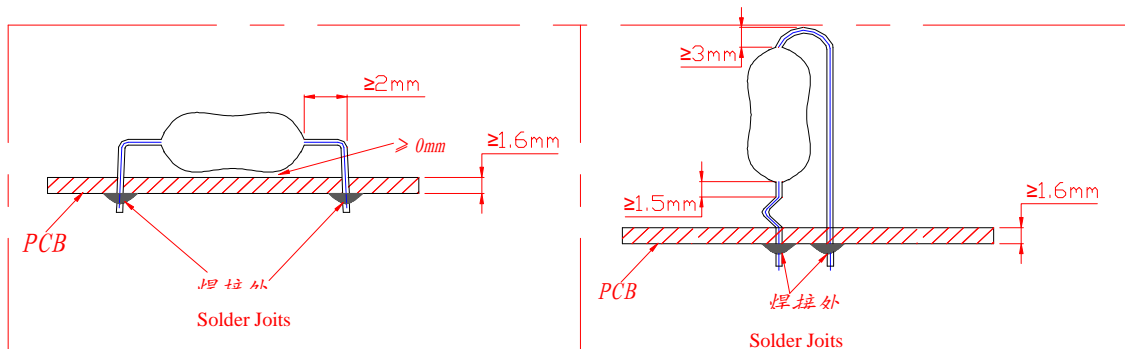
对熔断体通以 1 倍额定电流不小于 4 小时，熔断体不断开。

A current 1In is then passed through the fuse-link more than 4h the fuse-link is OK.

7. 安装方式及条件 Installation Way and Parameters

7.1 建议如下图安装方式安装

Propose that the following picture installation way is installed



7.2 环保焊接条件 Soldering conditions (RoHS)

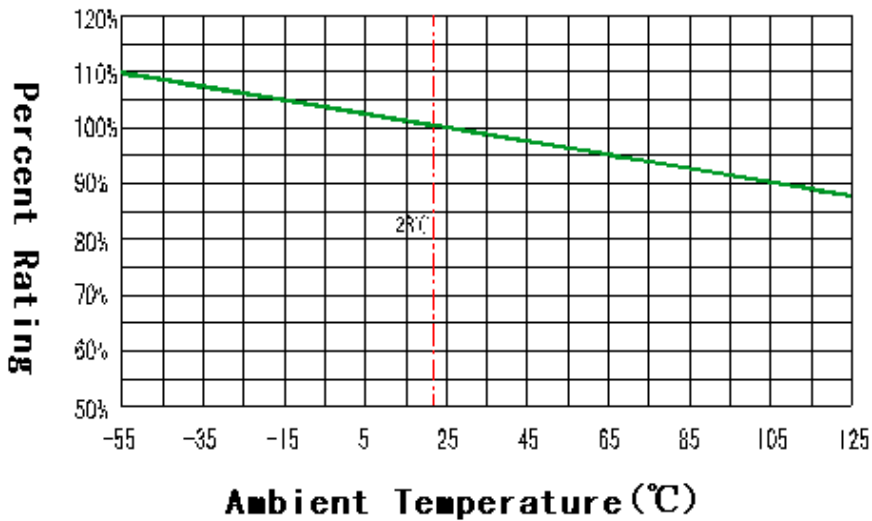
波峰焊/Wave solder: $260^{\circ}C, \leq 5S$

手工焊/Hand solder: $360^{\circ}C, \leq 1S$



8. 环境特性 Environmental characteristic

8.1 温度-电流负荷比曲线 Temperature-Current Curve



8.2 贮存条件 Storage conditions

贮存温度/Storage temperature: 5°C ~ 35°C

贮存湿度/Storage humidity: 25% ~ 85%

贮存周期/Storage time: 6 months

9. 信赖性试验 (Reliability test)

项目/Item	试验要求/Test Requirement	试验条件/Test Condtiton
高低温试验 High & low Temperature Test	试验后保险丝管的电阻符合范围 After test, the resistance value of the fuses shall be in range	测试高温: 85°C, 测试时间: 48h Test high temperature: 85°C, Test time: 48h 测试低温: -20°C, 测试时间: 48h Test low temperature: -20°C, Test time: 48h
高湿试验 High Humidity Test	试验后保险丝管的电阻符合范围 After test, the resistance value of the fuses shall be in range	测试温度: 85°C, 测试湿度: 95%, 测试时间: 96h Test temperature: 85°C, Test humidity: 95%, Test time: 96h
落下、冲击实验 Falling Shock Test	铜帽应固定牢固, 以保证在未损坏熔断体时, 铜帽不能被卸下, 铜帽表面镀层应牢固不易脱落, 每个端帽应能经受专用的设备外加轴向拉力 5N, 保持 1 分钟, 玻璃管必须无缺陷破裂和缺损。试验后保险丝管的电阻符合范围。 Cap should be firmly attached so that it is not possible to remove them without damaging the fuse itself. The means of	保险管从 152cm 高自由落下, 跌落 5 次。 Falling Height: 152cm Falling Times: 5



	attachment shall be sufficient to withstand an axial pull of 5N applied to each cap for 1 minute.The cap shall be nickel plated firmly.The glass tube shall have no defects such as crack and injury.After falling shock test,the resistance value of the fuses shall be in range.	
振动试验 Vibration	试验后保险丝管的电阻符合范围 After test, the resistance value of the fuses shall be in range	振幅 1.5mm, 频率 10 ~ 55 ~ 10Hz, 时间 2 小时 Amplitude:1.5mm, Frequency:10 ~ 55 ~ 10Hz, Test time: 2h

10. 产品标志 (Marking)

10.1 保险丝上的标志应易于看清。

The marking on fuse shall be indelibly marked on the end cap and easily visible.

10.2 每个保险丝标记应包含下列内容:

The symbol for every fuse shall be as prescribed below:

1) 额定电流 (Rated current): 250mA-10A

2) 额定电压 (Rated voltage): 250V

3) 特性符号 (Catalogue code): T/F

4) 安全认证标志 (Safety mark logo): 

5) 厂标 (Trade mark): 

11. 包装

Packaging (2000PCS/Bag、2000PCS/Box、40000PCS/ External Carton)



2000Pcs/Bag



2000Pcs/Box



2000Pcs/Box



40000Pcs/ External Carton

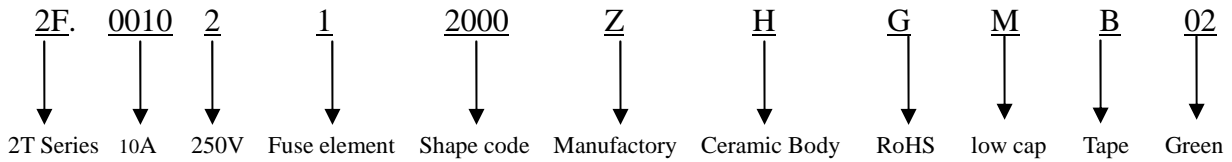
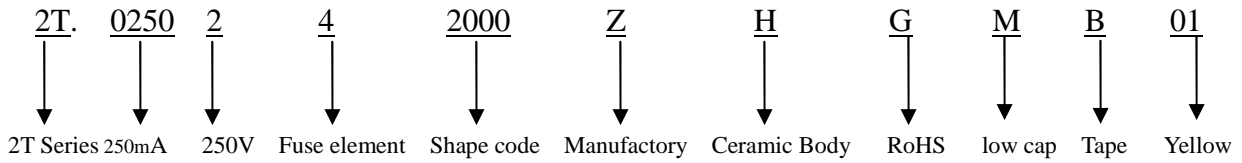


12. 认证和环保/Certification and RoHS

参考附加档案/See the attached files

13. 料号解释/Part No. Description

例如:



14. 文件管控/Document control

Edition	Date	Description	version
1	2017-06-30	新版发行/New version	2.0
2			
3			

--	--	--	--	--

Supplemental fuses: filled-tube

Cat. No.	Size mm(in)	Amps (A)	Volts (V)	Interrupting Rating (A)
5F	5.2 x 20 (0.20 x 0.79)	0.25 - 0.8	250Vac	35
		1	250Vac	35
		4	250Vac	40
		5	250Vac	50
		6.3	250Vac	63
		1.25	250Vac	35
		8	250Vac	80
		10	250Vac	80
		1.6 - 3.15	250Vac	35
		12 - 20	250Vac	200
5G	5.2 x 20 (0.20 x 0.79)	12 - 20	250Vac	200
		12 - 20	125Vac	200
5S	5.2 x 20 (0.20 x 0.79)	12 - 20	250Vac	200
		12 - 20	125Vac	200

Supplemental fuses: cartridge enclosed

Cat. No.	Size mm(in)	Amps (A)	Volts (V)	Interrupting Rating (A)
6G	6.35 x 31.8 (0.25 x 1.25)	12	125Vac	200
		12	250Vac	200
		15 - 20	125Vac	200
		15 - 20	250Vac	200
		12	125Vac	200
		12	250Vac	200
		12	125Vac	200
		12	250Vac	200
		15	125Vac	200
		15	250Vac	200
6S	6.35 x 31.8 (0.25 x 1.25)	12	125Vac	200
		12	250Vac	200

Supplemental fuses

XC ELECTRONICS (SHENZHEN) CORP LTD
 BLDG 11
 HEAO HENGANG, JINYUAN INDUSTRY ZONE
 SHENZHEN, GUANGDONG 518115 CHINA

E249609

See General Information for Fuses, Supplemental - Component

Fuses, Supplemental - Component

Fuses, Supplemental - Component

JDYX2.E249609

If you notice a change to your JDYX2 Listing Card, click here to learn more.

Page Bottom



Cat. No.	Size mm(in)	Amps (A)	Volts (V)	Interrupting Rating (A)
2F	2.7 x 7.3 (0.11 x 0.29)	0.25 - 1	250Vac	25
		1.25 - 10	250Vac	25
2T	2.7 x 7.3 (0.11 x 0.29)	0.25 - 1	250Vac	25
		1.25 - 10	250Vac	25
STR	8.35 x 7.2 (0.33 x 0.28)	0.25 - 6.3	350Vac	100
		0.25 - 6.3	300Vac	100
		0.25 - 3.15	250Vac	35
		3.5 - 4	250Vac	40
		5	250Vac	50

Supplemental micro fuses: pigtail leads, filled-tube

Cat. No.	Size mm(in)	Amps (A)	Volts (V)	Interrupting Rating (A)
12F	3.2 x 1.6 x 0.65 (0.13 x 0.06 x 0.03)	0.25 - 4	63Vdc	100
		4.5 - 7	32Vdc	100
		8 - 12	24Vdc	150
12T	3.2 x 1.6 x 0.65 (0.13 x 0.06 x 0.03)	0.25 - 4	63Vdc	100
		4.5 - 7	32Vdc	100
		8 - 12	24Vdc	150

Supplemental micro fuses

Cat. No.	Size mm(in)	Amps (A)	Volts (V)	Interrupting Rating (A)
5T	5.2 x 20 (0.20 x 0.79)	0.25 - 0.315	250Vac	35
		0.5 - 8	250Vac	35
		1	250Vac	35
		1.6 - 3.15	250Vac	35
		4	250Vac	40
		5	250Vac	50
		6.3	250Vac	63
		0.4	250Vac	35
		8	250Vac	80
		10	250Vac	100
		1.25	250Vac	35

Supplemental fuses: time delay, cartridge enclosed

Cat. No.	Size mm(in)	(A)	(V)	(A)
5C	5.2 x 20 (0.20 x 0.79)	0.20 - 10	250Vac	1500
		0.20 - 10	300Vac	1500
5H	5.2 x 20 (0.20 x 0.79)	0.20 - 10	250Vac	1500
		0.20 - 10	300Vac	1500

6 - 6.3	250Vac	63
0.25 - 3.15	250Vac	35
4	250Vac	40
5	250Vac	50
6.3	250Vac	63

Supplemental micro fuses: cartridge enclosed

Cat. No.	Size mm(in)	Amps (A)	Volts (V)	Interrupting Rating (A)
4F	3.6 x 10 (0.14 x 0.39)	0.2 - 6.3	300Vac	50
		0.2 - 6.3	350Vac	50
4T	3.6 x 10 (0.14 x 0.39)	0.2 - 6.3	300Vac	50
		0.2 - 6.3	350Vac	50

Supplemental micro fuses: surface mount

Cat. No.	Size mm(in)	Amps (A)	Volts (V)	Interrupting Rating (A)
24F	6.1 x 2.6 x 2.6 (0.24 x 0.10 x 0.10)	0.25 - 10	125Vac	50
		0.25 - 10	250Vac	50
		0.25 - 10	125Vdc	50
		0.25 - 10	250Vdc	25
24T	6.1 x 2.6 x 2.6 (0.24 x 0.10 x 0.10)	0.25 - 10	125Vac	50
		0.25 - 10	250Vac	50
		0.25 - 10	125Vdc	50
		0.25 - 10	250Vdc	25
32F	10 x 3.2 x 3.2 (0.39 x 0.13 x 0.13)	0.25 - 10	250Vac	50
		0.25 - 10	125Vac	50
		0.25 - 10	250Vdc	50
		0.25 - 10	125Vdc	50
32T	10 x 3.2 x 3.2 (0.39 x 0.13 x 0.13)	0.25 - 10	250Vac	50
		0.25 - 10	125Vac	50
		0.25 - 10	250Vdc	50
		0.25 - 10	125Vdc	50

Conditions of Acceptability.

- For use only in complete equipment where the acceptability is determined by UL.
- The 5F series devices were evaluated to the manufacturer's specifications and are identical to IEC-127-1 Sheet 2 except for the clearing times of the 6.3A model which had clearing times of 26.4 ms, 20.0 ms and 20.2 ms when subjected to 10 times the rated current. The allowed clearing time at this current level is 20.0 ms maximum.
- The 5T series devices were evaluated to the manufacturer's specifications and are identical to IEC-127-1 Sheet 2 except the clearing times of the 1A model which had clearing times of 336 ms, 344 ms and 342 ms when subjected to 2.75 times the rated current; 111 ms, and 108 ms when subjected to 4 times the rated current; 16.8 ms, 17.8 ms and 15.6 ms when subjected to 10 times the rated current. The allowed clearing times at these current levels are 600 ms-10 s; 150 ms-3 s and 20 ms-300 ms respectively.



Marking: Company name or trademark and model designation.

The appearance of a company's name or product in this database does not in itself assure that products so identified have been manufactured under UL's Follow-Up Service. Only those products bearing the UL Mark should be considered to be Certified and covered under UL's Follow-Up Service. Always look for the Mark on the product.

UL permits the reproduction of the material contained in the Online Certification Directory subject to the following conditions: 1. The Guide Information, Assemblies, Constructions, Designs, Systems, and/or Certifications (files) must be presented in their entirety and in a non-misleading manner, without any manipulation of the data (or drawings). 2. The statement "Reprinted from the Online Certifications Directory with permission from UL" must appear adjacent to the extracted material. In addition, the reprinted material must include a copyright notice in the following format: "© 2017 UL LLC".

© 2017 UL LLC

X-ON Electronics

Largest Supplier of Electrical and Electronic Components

Click to view similar products for [Fuses with Leads \(Through Hole\)](#) category:

Click to view products by [Xucheng](#) manufacturer:

Other Similar products are found below :

[89096-013](#) [89096-015](#) [A170100400](#) [BKPCH-5-R](#) [252010](#) [252.062](#) [SS-5-800MA-AP](#) [SS-5F-3.15A-AP](#) [252004](#) [263.750](#) [LKB-3](#) [0252001.M-0471005.MAT1L](#) [0473004.MAT1L](#) [0473.750HAT1L](#) [0471002.MAT1L](#) [0471.500MAT1L](#) [0491002.MAT1](#) [0473001.HAT1L](#) [0473002.HAT1L](#) [0473.500HAT1L](#) [SS-5-1.6A-AP](#) [SS-5F-2.5A-AP](#) [SR-5H-2.5A-AP](#) [SS-5-6.3A-BK](#) [BK-AGC-2-1-2-R](#) [BK-GMA-8-R](#) [BK-GMD-4-R](#) [BK-GMT-4A](#) [BK-MDL-1](#) [BK-PCD-5-R](#) [BK-C520-5-R](#) [BK-GMC-10-R](#) [BK-MDA-V-30-R](#) [BK-S500-500-R](#) [BK-SFE-20](#) [BK-GMA-1-25-R](#) [GMQ-3-2-10](#) [GLX-12](#) [PCB-34-R](#) [SR-5H-4A-AP](#) [RST 5-AMMO](#) [PCF-1/2-R](#) [SR-5H-3.15A-BK](#) [SR-5H-2A-BK](#) [047101.5MAT1L](#) [0471003.MAT1L](#) [GFA-12](#) [89096-005](#) [SR-5F-1-6A-BK](#)