



# MBR30100C

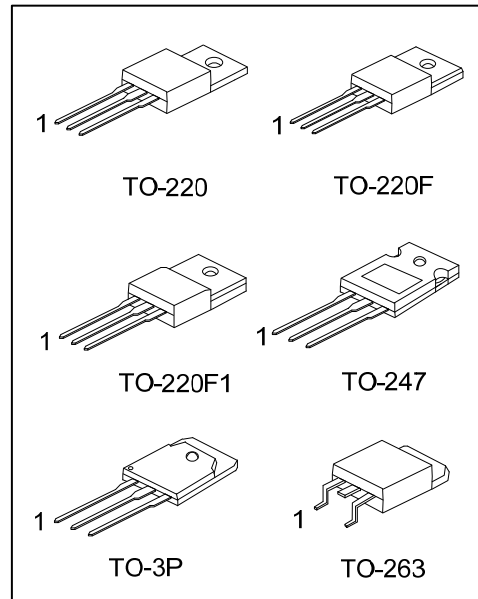
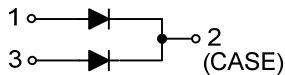
**DIODE**

## 30A SCHOTTKY BARRIER RECTIFIER

■ **FEATURES**

- \* 30 amps total (15 amps per diode leg)
- \* Guard ring for transient protection
- \* Low forward voltage drop
- \* High surge capability
- \* Low power loss/High efficiency

■ **SYMBOL**



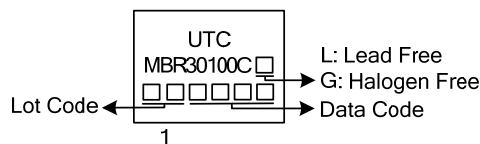
■ **ORDERING INFORMATION**

Ordering Number		Package	Pin Assignment			Packing
Lead Free	Halogen Free		1	2	3	
MBR30100CL-TA3-T	MBR30100CG-TA3-T	TO-220	A	K	A	Tube
MBR30100CL-TF3-T	MBR30100CG-TF3-T	TO-220F	A	K	A	Tube
MBR30100CL-TF1-T	MBR30100CG-TF1-T	TO-220F1	A	K	A	Tube
MBR30100CL-T3P-T	MBR30100CG-T3P-T	TO-3P	A	K	A	Tube
MBR30100CL-T47-T	MBR30100CG-T47-T	TO-247	A	K	A	Tube
MBR1060CL-TQ2-T	MBR1060CG-TQ2-T	TO-263	A	K	A	Tube
MBR1060CL-TQ2-R	MBR1060CG-TQ2-R	TO-263	A	K	A	Tape Reel

Note: Pin Assignment: A: Anode K: Cathode

<p>MBR30100CL-TA3-T</p> <p>(1) Packing Type (2) Package Type (3) Green Package</p>	<p>(1) T: Tube, R: Tape Reel (2) TA3: TO-220, TF3: TO-220F, TF1: TO-220F1 T47: TO-247, T3P: TO-3P, TQ2: TO-263 (3) L: Lead Free, G: Halogen Free and Lead Free</p>
--------------------------------------------------------------------------------------------	--------------------------------------------------------------------------------------------------------------------------------------------------------------------------------

■ **MARKING**



■ ABSOLUTE MAXIMUM RATINGS (T<sub>A</sub>=25°C, unless otherwise specified)

PARAMETER	SYMBOL	RATINGS	UNIT
Maximum Repetitive Peak Reverse Voltage	V <sub>RRM</sub>	100	V
Maximum non-repetitive Peak Reverse Voltage	V <sub>RM</sub>	100	V
Maximum DC Blocking Voltage	V <sub>R</sub>	100	V
Average Forward Rectified Output Current	Per Leg	15	A
	Total	30	A
Non-Repetitive Peak Forward Surge Current 8.3ms Single Half-Sine-Wave	I <sub>FSM</sub>	275	A
Junction Capacitance (Note 3)	C <sub>J</sub>	300	pF
Operating Temperature	T <sub>J</sub>	-65 ~ +150	°C
Storage Temperature	T <sub>STG</sub>	-65 ~ +150	°C

Note: Absolute maximum ratings are those values beyond which the device could be permanently damaged.  
Absolute maximum ratings are stress ratings only and functional device operation is not implied.

■ THERMAL DATA

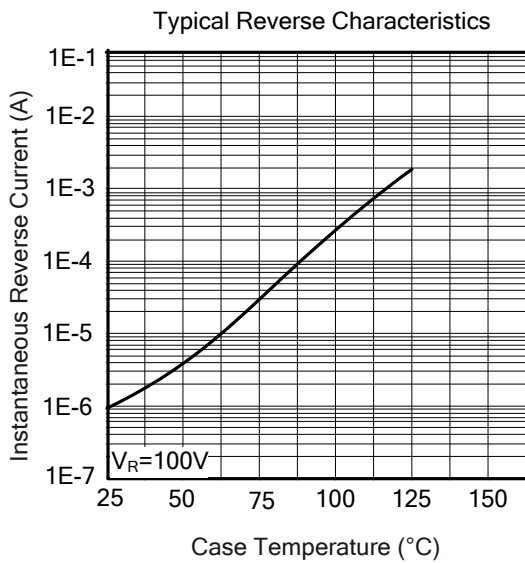
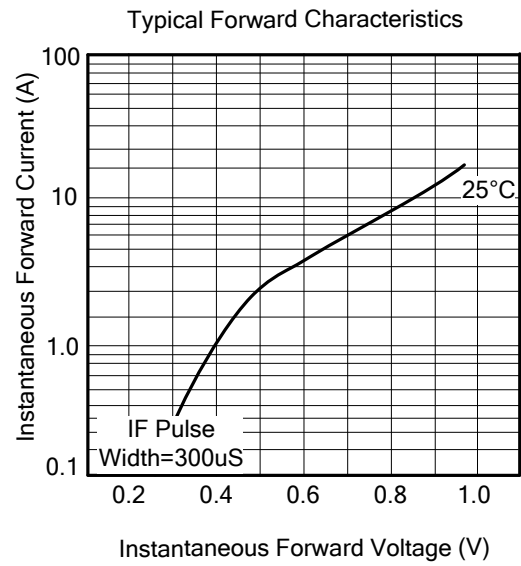
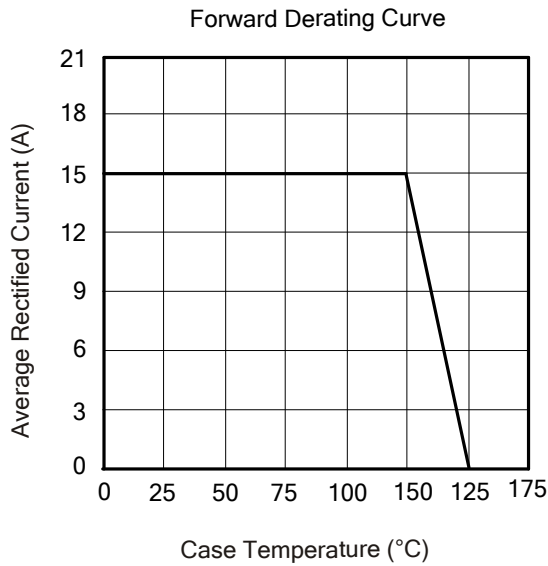
PARAMETER	SYMBOL	RATINGS	UNIT
Junction to Ambient	θ <sub>JA</sub>	62.5	°C/W
		29	
		35	
		TO-220/TO-220F TO-220F1/TO-263	
Junction to Case	θ <sub>JC</sub>	2	°C/W
		5	
		1.5	
		1.45	
		TO-220/TO-263 TO-220F/TO-220F1 TO-3P TO-247	

■ ELECTRICAL CHARACTERISTICS

PARAMETER	SYMBOL	TEST CONDITIONS	MIN	TYP	MAX	UNIT
Instantaneous Forward Voltage Drop (Note 2)	V <sub>F</sub>	I <sub>F</sub> =15A, T <sub>C</sub> =25°C			0.85	V
		I <sub>F</sub> =15A, T <sub>C</sub> =125°C			0.75	V
		I <sub>F</sub> =30A, T <sub>C</sub> =25°C			1.10	V
		I <sub>F</sub> =30A, T <sub>C</sub> =125°C			1.05	V
Instantaneous Reverse Current (Note 2)	I <sub>R</sub>	Rated DC Voltage, T <sub>C</sub> =25°C			100	μA
		Rated DC Voltage, T <sub>C</sub> =125°C			20	mA

Notes: 1. 2.0μs Pulse Width, f = 1.0 KHz  
2. Pulse Test: Pulse Width ≤ 300μs, Duty Cycle ≤ 2.0%  
3. Applied V<sub>R</sub> = 4.0V and f = 1.0 MHz

■ TYPICAL CHARACTERISTICS



UTC assumes no responsibility for equipment failures that result from using products at values that exceed, even momentarily, rated values (such as maximum ratings, operating condition ranges, or other parameters) listed in products specifications of any and all UTC products described or contained herein. UTC products are not designed for use in life support appliances, devices or systems where malfunction of these products can be reasonably expected to result in personal injury. Reproduction in whole or in part is prohibited without the prior written consent of the copyright owner. The information presented in this document does not form part of any quotation or contract, is believed to be accurate and reliable and may be changed without notice.

## X-ON Electronics

Largest Supplier of Electrical and Electronic Components

*Click to view similar products for [Schottky Diodes & Rectifiers](#) category:*

*Click to view products by [Unisonic](#) manufacturer:*

Other Similar products are found below :

[CUS06\(TE85L,Q,M\)](#) [D1FH3-5063](#) [MBR0530L-TP](#) [MBR10100CT-BP](#) [MBR30H100MFST1G](#) [MMBD301M3T5G](#) [PMAD1103-LF](#)  
[PMAD1108-LF](#) [RB160M-50TR](#) [RB520S-30](#) [RB551V-30](#) [DD350N18K](#) [DZ435N40K](#) [DZ600N16K](#) [BAS16E6433HTMA1](#) [BAS 3010S-](#)  
[02LRH E6327](#) [BAT 54-02LRH E6327](#) [IDL02G65C5XUMA1](#) [NSR05F40QNXT5G](#) [NSVR05F40NXT5G](#) [JANS1N6640](#) [SB07-03C-TB-H](#)  
[SB1003M3-TL-W](#) [SBAT54CWT1G](#) [SBM30-03-TR-E](#) [SBS818-TL-E](#) [SK32A-LTP](#) [SK33A-TP](#) [SK34A-TP](#) [SK34B-TP](#) [SMD1200PL-TP](#)  
[ACDBN160-HF](#) [SS3003CH-TL-E](#) [STPS30S45CW](#) [PDS3100Q-7](#) [GA01SHT18](#) [CRS10I30A\(TE85L,QM\)](#) [MBR1240MFST1G](#)  
[MBRB30H30CT-1G](#) [BAS28E6433HTMA1](#) [BAS 70-02L E6327](#) [HSB123JTR-E](#) [JANTX1N5712-1](#) [VS-STPS40L45CW-N3](#) [DD350N12K](#)  
[SB007-03C-TB-E](#) [SB10015M-TL-E](#) [SB1003M3-TL-E](#) [SK110-LTP](#) [SK154-TP](#)