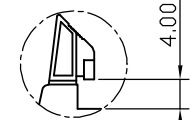


LONG LATCH

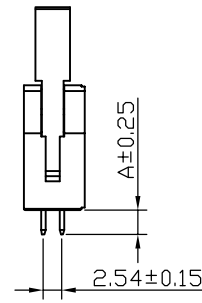
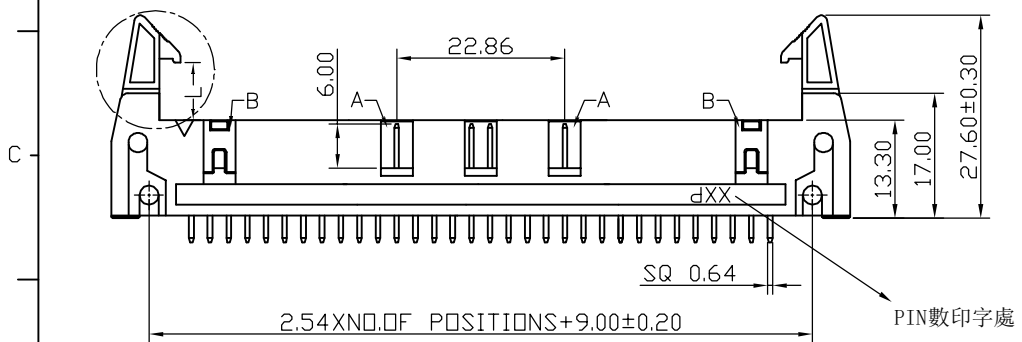


SHORT LATCH

NOTES:
 CURRENT RATING:3.0AMP
 CONTACT RESISTANCE:20mΩ MAX
 WITHSTAND VOLTAGE:1000V AC/DC
 INSULATION RESISTANCE:1000MΩ MIN
 OPERATION TEMPERATURE:-40°C TO +105°C

CONTACT MATERIAL:BRASS
 CONTACT PLATING:AU OR SN OVER NI
 INSULATOR MATERIAL:PBT OR PA9T+30%G.F
 UL94V-0

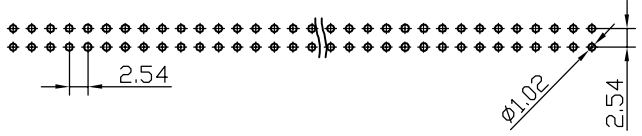
06P-18P WITHOUT SLOT "A" AND "B"
 20P-58P WITHOUT SOLT "A",WITH SLOT "B"
 60P-64P WITH SLOT "A" AND "B"



PART NO.

Z-23001 * * * * * W
 INSULATION MATERIAL
 0=PBT
 2=PA9T
 INSULATION COLOR
 0=BLACK
 8=GREY(427C)
 NO OF Pins
 06 24
 08 26
 10 30
 12 34
 14 40
 16 50
 18 60
 20 64
 LATCH
 0=NO LATCH
 1=SHORT LATCH
 2=LONG LATCH
 PLATED
 2=GOLD FLASH
 3=Au 10u"
 4=Au 15u"
 5=Au 30u"
 9=Au 3u"
 8=Au 5u"
 B=GOLD FLASH/TIN
 6=Au 10u"/TIN
 7=Au 30u"/TIN
 A=Au 15u"/TIN
 C=Au 3u"/TIN
 D=Au 5u"/TIN
 0=TIN
 Packing
 0=Tray
 1=Tube

RECOMMENDED P.C.B LAYOUT(TOP SIDE)
 (PCB BOARD TOLERANCE±0.05)



	PIN LENGTH	DIM.A
STANDARD	16.0	3.30
ALTERNATE	17.3	4.50
ALTERNATE	---	---

REV.	DESCRIPTION	DATE	APPD
A	NEW RELEASED	11/17'15	楊海文

UNITS	
mm	INCH
4 PLACE	± ** ±. **
3 PLACE	± ** ±. **
2 PLACE	± 0.25 ±. **
1 PLACE	± 0.40 ±. **
ANGULAR:	X°±** X°±**

NAME:	2.54mm HEADER 180°
PART NO:	Z-23001*****W
APPD:	楊海文 11/17'15
CHKD:	廖小瓊 11/17'15
DRAWN:	陳惠枝 11/17'15

 NEXTRONICS ENGINEERING CORP.	
TITLE: CUSTOMER DWG	
DWG NO:	010-0000-E93
SCALE:	1/1
SHEET:	1/1
REV.:	A

X-ON Electronics

Largest Supplier of Electrical and Electronic Components

Click to view similar products for [Headers & Wire Housings](#) category:

Click to view products by [Nextronics](#) manufacturer:

Other Similar products are found below :

[95000-104TRLF](#) [10135584-644402LF](#) [DF62W-EP2022PCA](#) [95000-106TRLF](#) [DF62W-2022SCA](#) [DF62W-EP2022PC](#) [2203348](#) [DF62W-2022SC](#) [1084018](#) [1029039](#) [1084017](#) [802-10-012-10-002000](#) [1112640](#) [1112639](#) [891-007-9SS-BST1T](#) [000-34000](#) [0008550134](#) [0009482033](#) [0009507031](#) [57102-F02-18ULF](#) [57102-S06-03LF](#) [57202-S52-04LF](#) [PCN6-15S-2.5E](#) [0039019024](#) [58102-G61-06LF](#) [582553-1](#) [0009485154](#) [0009508121](#) [0022285053](#) [0050291907](#) [018731A](#) [LY20-4P-DT1-P1E-BR](#) [02.125.8002.8](#) [60101931](#) [60598-1 \(Cut Strip\)](#) [M1625-3R/100](#) [61062-3](#) [61082-181009](#) [CSU011177004](#) [636-1427](#) [638009-1](#) [641938-9](#) [641991-4](#) [644168-1](#) [644827-2](#) [647662-1](#) [65039-019ELF](#) [65692-001LF](#) [65781-018](#) [65781-047](#)