

Rev	Change Description	Date	Rev/Rev
A	初版发行	2011/09/16	Allian

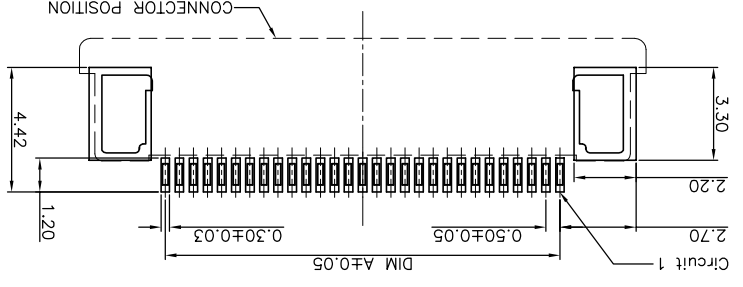
Rev	Change Description	Date	Rev/Rev
A	初版发行	2011/09/16	Allian

Project View (投影视图)	1 OR 1
Page (页数)	1 OF 1
Scale (比例)	0.00 ±0.10 0°/0 ±1°
Unit (单位)	0.0 ±0.15 0° ±5°
Size (规格)	MM
Tolerance Unspecified (未注公差)	A4

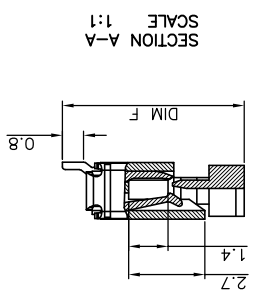
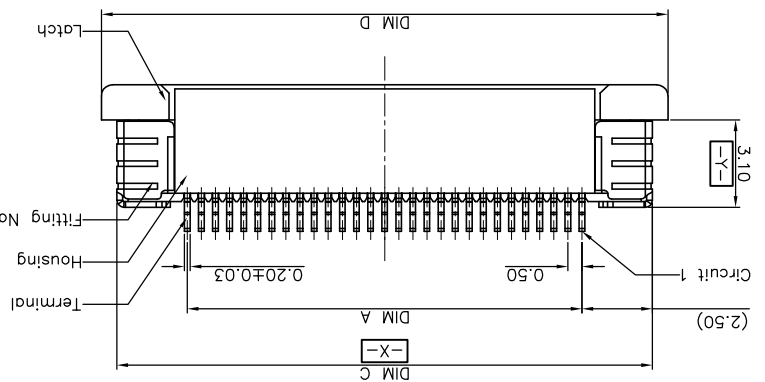
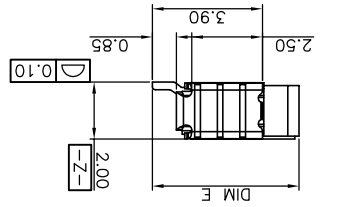
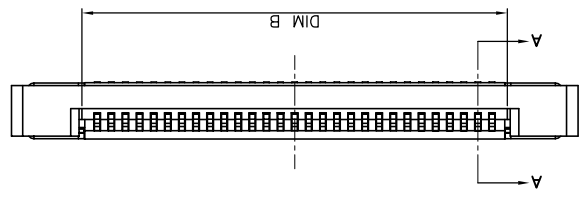
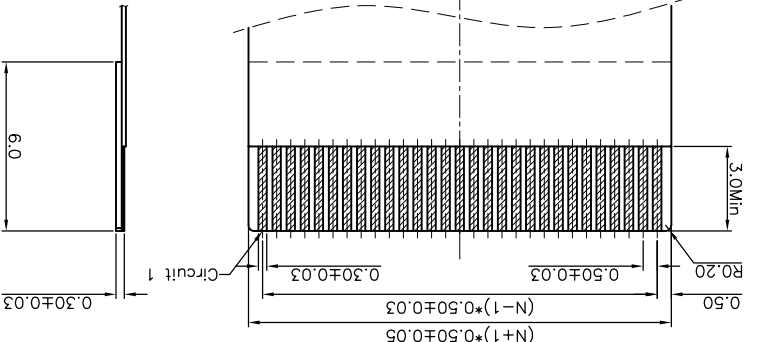
Product Name (产品名称)	0.5Pitch H=2.0 FPC ZIF R/A Upper Type3 SMT CONN
Product No (产品料号)	AF07-S***E+***
Designer (设计)	Allian 09/16/11
Rev (版本)	A

Checked (核准)	Approved (核准)
--------------	---------------

RECOMMENDED F.C.B PATTERN LAYOUT



RECOMMENDED FPC/FPC DIMENSION



SECTION A-A
SCALE 1:1

REMARKS

HF:Halogen free

PACKING A:Top&Reel C:TUBE

4. Product No. AF07-S***

3. Product must comply HF RoHS specification. Underplating: matt Tin overall.

2.2 Fitting Nail: Underplating: Au/matt Tin overall.

2.1 Terminal: 2.1 Terminal: Underplating: Au/matt Tin overall.

2. Finish: 1.4 Fitting Nail: copper alloy.

1.3 Terminal: copper alloy.

1.2 Latch: thermoplastic high temp. UL94V-0; Color: black.

1.1 Housing: thermoplastic high temp. UL94V-0; Color: natural.

CTS	DIM A	DIM B	DIM C	DIM D	DIM E	DIM F
1	2.60	3.10	7.00	8.10	8.60	8.60
2	2.60	3.10	7.00	8.10	8.60	8.60
3	2.60	3.10	7.00	8.10	8.60	8.60
4	2.60	3.10	7.00	8.10	8.60	8.60
5	2.60	3.10	7.00	8.10	8.60	8.60
6	2.60	3.10	7.00	8.10	8.60	8.60
7	2.60	3.10	7.00	8.10	8.60	8.60
8	2.60	3.10	7.00	8.10	8.60	8.60
9	2.60	3.10	7.00	8.10	8.60	8.60
10	2.60	3.10	7.00	8.10	8.60	8.60
11	2.60	3.10	7.00	8.10	8.60	8.60
12	2.60	3.10	7.00	8.10	8.60	8.60
13	2.60	3.10	7.00	8.10	8.60	8.60
14	2.60	3.10	7.00	8.10	8.60	8.60
15	2.60	3.10	7.00	8.10	8.60	8.60
16	2.60	3.10	7.00	8.10	8.60	8.60
17	2.60	3.10	7.00	8.10	8.60	8.60
18	2.60	3.10	7.00	8.10	8.60	8.60
19	2.60	3.10	7.00	8.10	8.60	8.60
20	2.60	3.10	7.00	8.10	8.60	8.60
21	2.60	3.10	7.00	8.10	8.60	8.60
22	2.60	3.10	7.00	8.10	8.60	8.60
23	2.60	3.10	7.00	8.10	8.60	8.60
24	2.60	3.10	7.00	8.10	8.60	8.60
25	2.60	3.10	7.00	8.10	8.60	8.60
26	2.60	3.10	7.00	8.10	8.60	8.60
27	2.60	3.10	7.00	8.10	8.60	8.60
28	2.60	3.10	7.00	8.10	8.60	8.60
29	2.60	3.10	7.00	8.10	8.60	8.60
30	2.60	3.10	7.00	8.10	8.60	8.60
31	2.60	3.10	7.00	8.10	8.60	8.60
32	2.60	3.10	7.00	8.10	8.60	8.60
33	2.60	3.10	7.00	8.10	8.60	8.60
34	2.60	3.10	7.00	8.10	8.60	8.60
35	2.60	3.10	7.00	8.10	8.60	8.60
36	2.60	3.10	7.00	8.10	8.60	8.60
37	2.60	3.10	7.00	8.10	8.60	8.60
38	2.60	3.10	7.00	8.10	8.60	8.60
39	2.60	3.10	7.00	8.10	8.60	8.60
40	2.60	3.10	7.00	8.10	8.60	8.60
41	2.60	3.10	7.00	8.10	8.60	8.60
42	2.60	3.10	7.00	8.10	8.60	8.60
43	2.60	3.10	7.00	8.10	8.60	8.60
44	2.60	3.10	7.00	8.10	8.60	8.60
45	2.60	3.10	7.00	8.10	8.60	8.60
46	2.60	3.10	7.00	8.10	8.60	8.60
47	2.60	3.10	7.00	8.10	8.60	8.60
48	2.60	3.10	7.00	8.10	8.60	8.60
49	2.60	3.10	7.00	8.10	8.60	8.60
50	2.60	3.10	7.00	8.10	8.60	8.60
51	2.60	3.10	7.00	8.10	8.60	8.60
52	2.60	3.10	7.00	8.10	8.60	8.60
53	2.60	3.10	7.00	8.10	8.60	8.60
54	2.60	3.10	7.00	8.10	8.60	8.60
55	2.60	3.10	7.00	8.10	8.60	8.60
56	2.60	3.10	7.00	8.10	8.60	8.60
57	2.60	3.10	7.00	8.10	8.60	8.60
58	2.60	3.10	7.00	8.10	8.60	8.60
59	2.60	3.10	7.00	8.10	8.60	8.60
60	2.60	3.10	7.00	8.10	8.60	8.60

X-ON Electronics

Largest Supplier of Electrical and Electronic Components

Click to view similar products for [FFC & FPC Connectors](#) category:

Click to view products by [JUSHUO](#) manufacturer:

Other Similar products are found below :

[HFW11R-1STE1H1LF](#) [FH29B-100S-0.2SHW\(99\)](#) [FA5S008HP1](#) [FH29B-120S-0.2SHW\(99\)](#) [FH29B-80S-0.2SHW\(99\)](#) [FHS-16](#) [FPH-2022G](#)
[52610-1075](#) [52610-1275](#) [52610-1934](#) [XF3M\(1\)-1415-1B-R100](#) [501864-3091-TR225](#) [0525594033](#) [086210010340800](#) [086222026001800](#)
[52271-2869-CUT-TAPE](#) [62674-201121DLF](#) [62684-36210E9ALF](#) [52610-1675](#) [52746-1671-TR250](#) [10051922-2810EHLF](#) [6-520415-9](#)
[BD021-09A-A1-0350-0200-0550-LD](#) [SFV6R-1STE9HLF](#) [XF3M-2915-1B-R100](#) [1658549-1](#) [62674-221121ALF](#) [46214008010800](#)
[046298003000883](#) [151660622](#) [842-816-2630-035](#) [AYF530665TA](#) [AYF351525](#) [046296011930846+](#) [AYF352325A](#) [046254020000800+](#)
[FH19C-13S-0.5SH\(99\)](#) [FH39J-51S-0.3SHW\(99\)](#) [AYF355125A](#) [AYF530365TA](#) [FH29B-44S-0.2SHW\(99\)](#) [SFW5R-2STAE9LF](#) [AYF351125A](#)
[AYF350725A](#) [62684-502100AHLF](#) [FH39-61S-0.3SHW\(99\)](#) [AYF414035A](#) [10064555-172520HLF](#) [AYF212335A](#) [504754-2500](#)