

Rev	Change Description	Date	Rev/Rev
A	初版发行	2011/09/16	Allian

变更内容  
日期  
制修订人

Project View	Scale (比例)	Unit (单位)	Tolerance Unspecified (公差)
1 OF 1	0.00 ±0.10 0°/0 ±3° MM	0.0 ±0.15 0°/±5° MM	A4

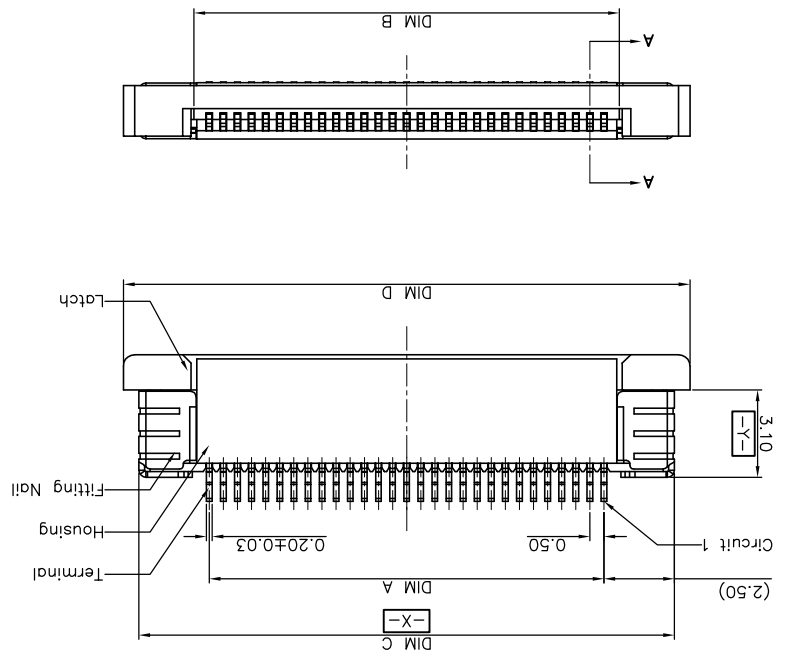
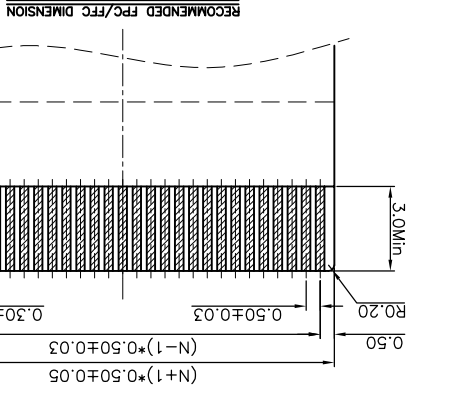
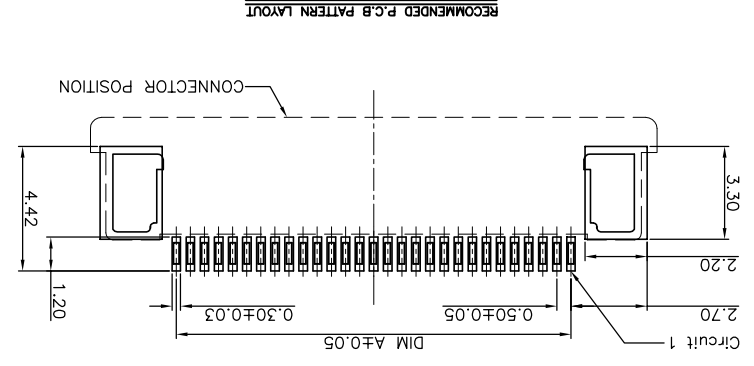
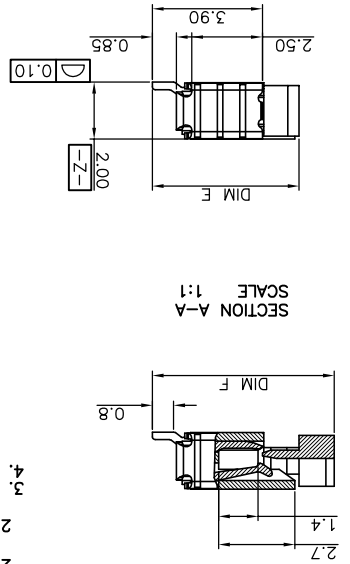
Rev (版本)	Page (页数)	Designer (设计)
1 OF 1	1 OF 1	Allian 09/16/11

Product Name (产品名称): 0.5Pitch H=2.0 FPC ZIF R/A Upper Type3 SMT CONN  
Product No (产品料号): AFC07-S\*\*\*E\*\*\*  
Checked (审核):  
Approved (核准):

**CUSTOMER DRAWING**

Ckts	DIM A	DIM B	DIM C	DIM D	DIM E	DIM F
1	2.00	2.60	6.50	7.60	8.10	8.60
5	1.50	3.10	7.00	8.10	8.60	9.10
6	2.50	3.60	7.50	8.60	9.10	9.60
7	3.00	4.10	8.00	9.10	9.60	10.10
8	3.50	4.60	8.50	9.60	10.10	10.60
9	4.00	5.10	9.00	10.10	10.60	11.10
10	4.50	5.60	9.50	10.60	11.10	11.60
11	5.00	6.10	10.00	11.10	11.60	12.10
12	5.50	6.60	10.50	11.60	12.10	12.60
13	6.00	7.10	11.00	12.10	12.60	13.10
14	6.50	7.60	11.50	12.60	13.10	13.60
15	7.00	8.10	12.00	13.10	13.60	14.10
16	7.50	8.60	12.50	13.60	14.10	14.60
17	8.00	9.10	13.00	14.10	14.60	15.10
18	8.50	9.60	13.50	14.60	15.10	15.60
19	9.00	10.10	14.00	15.10	15.60	16.10
20	9.50	10.60	14.50	15.60	16.10	16.60
21	10.00	11.10	15.00	16.10	16.60	17.10
22	10.50	11.60	15.50	16.60	17.10	17.60
23	11.00	12.10	16.00	17.10	17.60	18.10
24	11.50	12.60	16.50	17.60	18.10	18.60
25	12.00	13.10	17.00	18.10	18.60	19.10
26	12.50	13.60	17.50	18.60	19.10	19.60
27	13.00	14.10	18.00	19.10	19.60	20.10
28	13.50	14.60	18.50	19.60	20.10	20.60
29	14.00	15.10	19.00	20.10	20.60	21.10
30	14.50	15.60	19.50	20.60	21.10	21.60
31	15.00	16.10	20.00	21.10	21.60	22.10
32	15.50	16.60	20.50	21.60	22.10	22.60
33	16.00	17.10	21.00	22.10	22.60	23.10
34	16.50	17.60	21.50	22.60	23.10	23.60
35	17.00	18.10	22.00	23.10	23.60	24.10
36	17.50	18.60	22.50	23.60	24.10	24.60
37	18.00	19.10	23.00	24.10	24.60	25.10
38	18.50	19.60	23.50	24.60	25.10	25.60
39	19.00	20.10	24.00	25.10	25.60	26.10
40	19.50	20.60	24.50	25.60	26.10	26.60
41	20.00	21.10	25.00	26.10	26.60	27.10
42	20.50	21.60	25.50	26.60	27.10	27.60
43	21.00	22.10	26.00	27.10	27.60	28.10
44	21.50	22.60	26.50	27.60	28.10	28.60
45	22.00	23.10	27.00	28.10	28.60	29.10
46	22.50	23.60	27.50	28.60	29.10	29.60
47	23.00	24.10	28.00	29.10	29.60	30.10
48	23.50	24.60	28.50	29.60	30.10	30.60
49	24.00	25.10	29.00	30.10	30.60	31.10
50	24.50	25.60	29.50	30.60	31.10	31.60
51	25.00	26.10	30.00	31.10	31.60	32.10
52	25.50	26.60	30.50	31.60	32.10	32.60
53	26.00	27.10	31.00	32.10	32.60	33.10
54	26.50	27.60	31.50	32.60	33.10	33.60
55	27.00	28.10	32.00	33.10	33.60	34.10
56	27.50	28.60	32.50	33.60	34.10	34.60
57	28.00	29.10	33.00	34.10	34.60	35.10
58	28.50	29.60	33.50	34.60	35.10	35.60
59	29.00	30.10	34.00	35.10	35.60	36.10
60	29.50	30.60	34.50	35.60	36.10	36.60

- Note:
- Material: 1.1 Housing: thermoplastic high temp. UL94V-0; Color: natural.  
1.2 Latch: thermoplastic high temp. UL94V-0; Color: black.  
1.3 Terminal: copper alloy.  
1.4 Fitting Nail: copper alloy.
  - Finish:  
2.1 Terminal: Underplating: Au/matt Tin overall.  
2.2 Fitting Nail: Underplating: Au/matt Tin overall.
  - Product must comply HF Rohs specification.  
4. Product No: AFC07-S\*\*\*E\*\*\*
  - CTKS  
CONTRACTS TYPE  
E  
F  
G  
H  
I  
J  
K  
L  
M  
N  
O  
P  
Q  
R  
S  
T  
U  
V  
W  
X  
Y  
Z
  - REMARKS  
HF: Halogen free  
A: Top & Reel  
C: Tube
  - PACKING



## X-ON Electronics

Largest Supplier of Electrical and Electronic Components

*Click to view similar products for [FFC & FPC Connectors](#) category:*

*Click to view products by [JUSHUO](#) manufacturer:*

Other Similar products are found below :

[HFW11R-1STE1H1LF](#) [FH29B-100S-0.2SHW\(99\)](#) [FA5S008HP1](#) [FH29B-120S-0.2SHW\(99\)](#) [FH29B-80S-0.2SHW\(99\)](#) [FHS-16](#) [FPH-2022G](#)  
[52610-1075](#) [52610-1275](#) [52610-1934](#) [XF3M\(1\)-1415-1B-R100](#) [501864-3091-TR225](#) [0525594033](#) [086210010340800](#) [086222026001800](#)  
[52271-2869-CUT-TAPE](#) [62674-201121DLF](#) [62684-36210E9ALF](#) [52610-1675](#) [52746-1671-TR250](#) [10051922-2810EHLF](#) [6-520415-9](#)  
[BD021-09A-A1-0350-0200-0550-LD](#) [SFV6R-1STE9HLF](#) [XF3M-2915-1B-R100](#) [1658549-1](#) [62674-221121ALF](#) [46214008010800](#)  
[046298003000883](#) [151660622](#) [842-816-2630-035](#) [AYF530665TA](#) [AYF351525](#) [046296011930846+](#) [AYF352325A](#) [046254020000800+](#)  
[FH19C-13S-0.5SH\(99\)](#) [FH39J-51S-0.3SHW\(99\)](#) [AYF355125A](#) [AYF530365TA](#) [FH29B-44S-0.2SHW\(99\)](#) [SFW5R-2STAE9LF](#) [AYF351125A](#)  
[AYF350725A](#) [62684-502100AHLF](#) [FH39-61S-0.3SHW\(99\)](#) [AYF414035A](#) [10064555-172520HLF](#) [AYF212335A](#) [504754-2500](#)