

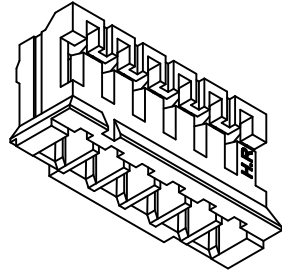
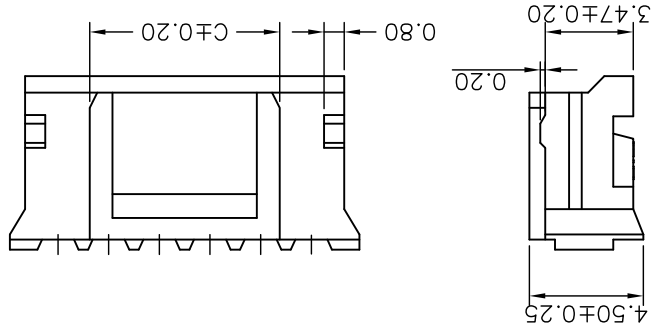
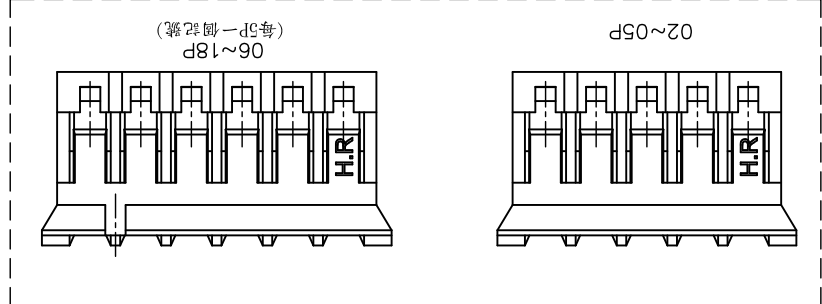
REV.	A0	NEW RELEASE	2011.06.28	陈敏	X.XX±0.15	X.XX±0.05	ANGLE
DESCRIPTION							GENERAL TOLERANCE
DATE							2011.06.28
NAME							陈敏
							修正一
							DRAWN BY
							2011.06.28
							APPROVED BY
							1 of 1
							I : 1
							SCALE
							SHEET
							UNIT
							mm
							1 of 1


燦達電子工業股份有限公司
JOINT TECH ELECTRONIC IND. CO., LTD.
 TITLE:

2.00mm PITCH HOUSING

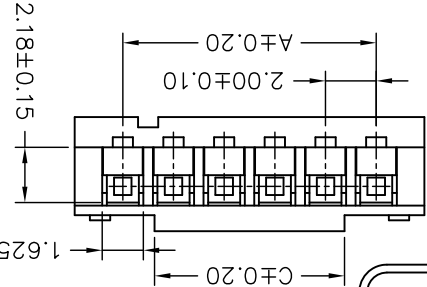
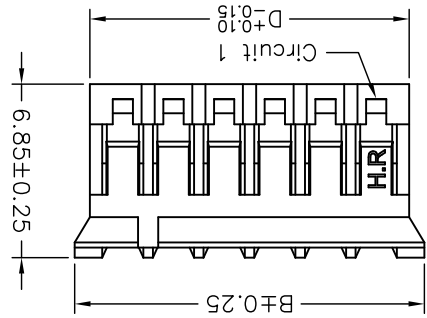
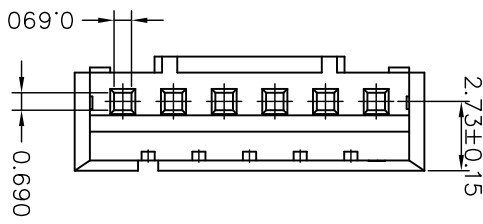
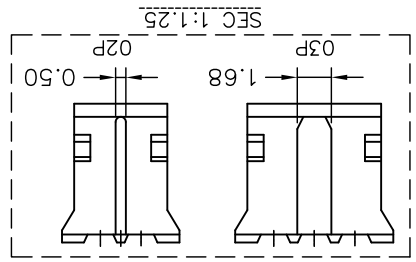
REV. A0

Circuit	Dimensions			
	No.	A	B	C
02P	2.00	5.80	0.50	4.60
03P	4.00	7.80	1.68	6.60
04P	6.00	9.80	3.50	8.60
05P	8.00	11.80	5.50	10.60
06P	10.00	13.80	7.50	12.60
07P	12.00	15.80	9.50	14.60
08P	14.00	17.80	11.50	16.60
09P	16.00	19.80	13.50	18.60
10P	18.00	21.80	15.50	20.60
11P	20.00	23.80	17.50	22.60
12P	22.00	25.80	19.50	24.60
13P	24.00	27.80	21.50	26.60
14P	26.00	29.80	23.50	28.60
15P	28.00	31.80	25.50	30.60
16P	30.00	33.80	27.50	32.60
17P	32.00	35.80	29.50	34.60
18P	34.00	37.80	31.50	36.60



- P/N LEGEND
- ① Series No.
 - ② Connector type: H=Housing
 - ③ No. of circuits
 - ④ N=Halogen Free
 - ⑤ Material: 0=Nylon 66-V0
 - ⑥ Color: W=White; B=Black
 - ⑦ Plating code: NP=Non-plating
 - ⑧ Plating code: N=Non-plating
 - ⑨ Option code: 00=Standard
 - ⑩ Packing code: G=Bag

SPECIFICATIONS
 Current Rating: 2A AC,DC
 Voltage Rating: 100V AC,DC
 Temperature Range: -25°C ~ +85°C
 Contact Resistance: 10mΩ Max.
 Insulation Resistance: 1000MΩ Min.
 Withstanding Voltage: 800V AC/minute
 Material: Nylon 66,UL94V-0
 Color: White&Black



1 2 3 4

A B C D

X-ON Electronics

Largest Supplier of Electrical and Electronic Components

Click to view similar products for [Headers & Wire Housings](#) category:

Click to view products by [Joint manufacturer](#):

Other Similar products are found below :

[95000-104TRLF](#) [10135584-644402LF](#) [DF62W-EP2022PCA](#) [95000-106TRLF](#) [DF62W-2022SCA](#) [DF62W-EP2022PC](#) [2203348](#) [DF62W-2022SC](#) [1084018](#) [1029039](#) [1084017](#) [802-10-012-10-002000](#) [1112640](#) [1112639](#) [891-007-9SS-BST1T](#) [000-34000](#) [0008550134](#) [0009482033](#) [0009507031](#) [57102-F02-18ULF](#) [57102-S06-03LF](#) [57202-S52-04LF](#) [PCN6-15S-2.5E](#) [0039019024](#) [58102-G61-06LF](#) [582553-1](#) [0009485154](#) [0009508121](#) [0022285053](#) [0050291907](#) [018731A](#) [LY20-4P-DT1-P1E-BR](#) [02.125.8002.8](#) [60101931](#) [60598-1 \(Cut Strip\)](#) [M1625-3R/100](#) [61062-3](#) [61082-181009](#) [CSU011177004](#) [636-1427](#) [638009-1](#) [641938-9](#) [641991-4](#) [644168-1](#) [644827-2](#) [647662-1](#) [65039-019ELF](#) [65692-001LF](#) [65781-018](#) [65781-047](#)