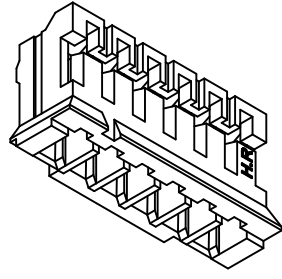
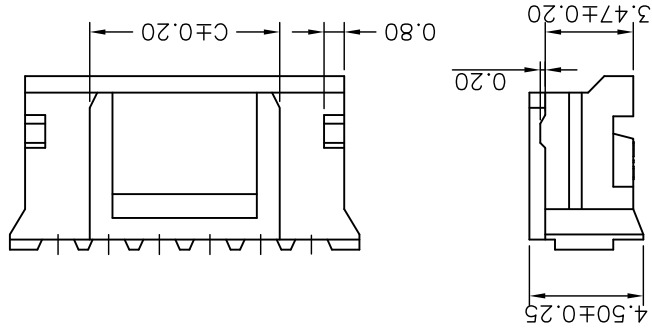
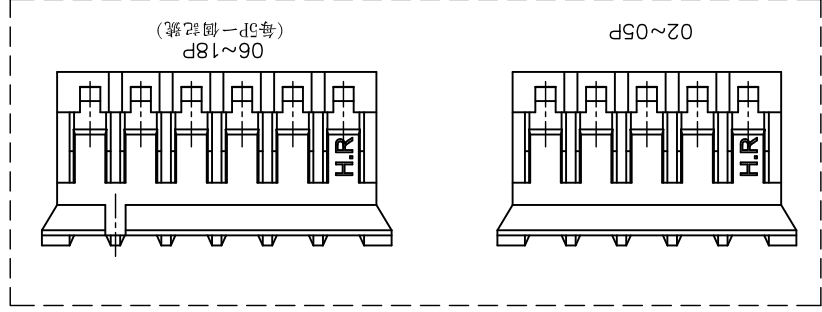
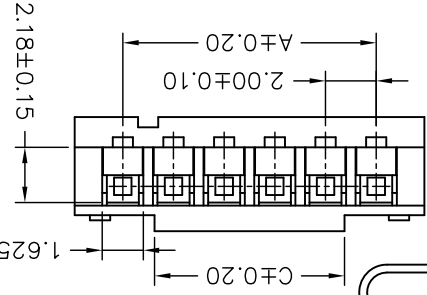
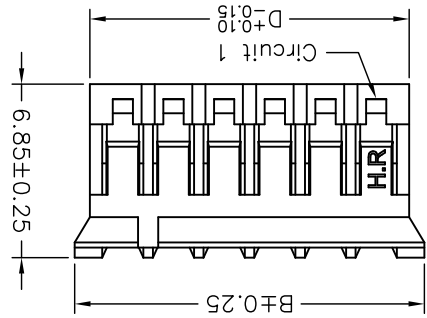
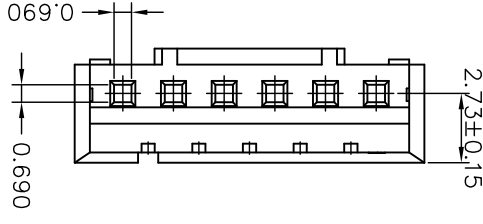
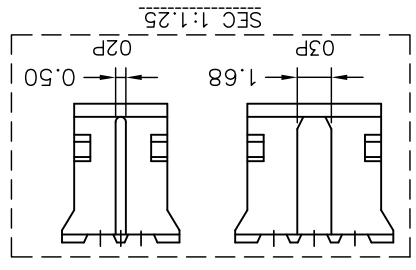


|             |    |             |            |    |           |           |                      |
|-------------|----|-------------|------------|----|-----------|-----------|----------------------|
| REV.        | A0 | NEW RELEASE | 2011.06.28 | 陈敏 | X.XX±0.15 | X.XX±0.05 | ANGLE                |
| DESCRIPTION |    |             |            |    |           |           | GENERAL TOLERANCE    |
| DATE        |    |             |            |    |           |           | 2011.06.28           |
| NAME        |    |             |            |    |           |           | 陈敏                   |
|             |    |             |            |    |           |           | 修正一                  |
|             |    |             |            |    |           |           | DRAWN BY             |
|             |    |             |            |    |           |           | 2011.06.28           |
|             |    |             |            |    |           |           | APPROVED BY          |
|             |    |             |            |    |           |           | 1 of 1               |
|             |    |             |            |    |           |           | SHEET                |
|             |    |             |            |    |           |           | SCALE                |
|             |    |             |            |    |           |           | UNIT                 |
|             |    |             |            |    |           |           | mm                   |
|             |    |             |            |    |           |           | 1 : 1                |
|             |    |             |            |    |           |           | TITLE:               |
|             |    |             |            |    |           |           | 2.00mm PITCH HOUSING |
|             |    |             |            |    |           |           | DRAW NO.:            |
|             |    |             |            |    |           |           | A2001H-XPNXXXXXXXXXX |
| REV.        | A0 |             |            |    |           |           |                      |

燦達電子工業股份有限公司  
JOINT TECH ELECTRONIC IND. CO., LTD.



- P/N LEGEND
- ① Series No.
  - ② Connector type: H=Housing
  - ③ No. of circuits
  - ④ N=Halogen Free
  - ⑤ Material: 0=Nylon 66-V0
  - ⑥ Color: W=White; B=Black
  - ⑦ Plating code: NP=Non-plating
  - ⑧ Plating code: N=Non-plating
  - ⑨ Option code: 00=Standard
  - ⑩ Packing code: G=Bag
- A2001 H-XP N 0 X NP N 00 G

| Circuit | Dimensions |       |       |       |   |
|---------|------------|-------|-------|-------|---|
|         | No.        | A     | B     | C     | D |
| 02P     | 2.00       | 5.80  | 0.50  | 4.60  |   |
| 03P     | 4.00       | 7.80  | 1.68  | 6.60  |   |
| 04P     | 6.00       | 9.80  | 3.50  | 8.60  |   |
| 05P     | 8.00       | 11.80 | 5.50  | 10.60 |   |
| 06P     | 10.00      | 13.80 | 7.50  | 12.60 |   |
| 07P     | 12.00      | 15.80 | 9.50  | 14.60 |   |
| 08P     | 14.00      | 17.80 | 11.50 | 16.60 |   |
| 09P     | 16.00      | 19.80 | 13.50 | 18.60 |   |
| 10P     | 18.00      | 21.80 | 15.50 | 20.60 |   |
| 11P     | 20.00      | 23.80 | 17.50 | 22.60 |   |
| 12P     | 22.00      | 25.80 | 19.50 | 24.60 |   |
| 13P     | 24.00      | 27.80 | 21.50 | 26.60 |   |
| 14P     | 26.00      | 29.80 | 23.50 | 28.60 |   |
| 15P     | 28.00      | 31.80 | 25.50 | 30.60 |   |
| 16P     | 30.00      | 33.80 | 27.50 | 32.60 |   |
| 17P     | 32.00      | 35.80 | 29.50 | 34.60 |   |
| 18P     | 34.00      | 37.80 | 31.50 | 36.60 |   |

SPECIFICATIONS

Current Rating: 2A AC,DC  
Voltage Rating: 100V AC,DC  
Temperature Range: -25°C ~ +85°C  
Insulation Resistance: 100MΩ Min.  
Contact Resistance: 10mΩ Max.  
Withstanding Voltage: 800V AC/minute  
Material: Nylon 66,UL94V-0  
Color: White&Black



## X-ON Electronics

Largest Supplier of Electrical and Electronic Components

*Click to view similar products for [Headers & Wire Housings](#) category:*

*Click to view products by [Joint manufacturer](#):*

Other Similar products are found below :

[95000-104TRLF](#) [10135584-644402LF](#) [DF62W-EP2022PCA](#) [95000-106TRLF](#) [DF62W-2022SCA](#) [DF62W-EP2022PC](#) [2203348](#) [DF62W-2022SC](#) [1084018](#) [1029039](#) [1084017](#) [802-10-012-10-002000](#) [1112640](#) [1112639](#) [891-007-9SS-BST1T](#) [000-34000](#) [0008550134](#) [0009482033](#) [0009507031](#) [57102-F02-18ULF](#) [57102-S06-03LF](#) [57202-S52-04LF](#) [PCN6-15S-2.5E](#) [0039019024](#) [58102-G61-06LF](#) [582553-1](#) [0009485154](#) [0009508121](#) [0022285053](#) [0050291907](#) [018731A](#) [LY20-4P-DT1-P1E-BR](#) [02.125.8002.8](#) [60101931](#) [60598-1 \(Cut Strip\)](#) [M1625-3R/100](#) [61062-3](#) [61082-181009](#) [CSU011177004](#) [636-1427](#) [638009-1](#) [641938-9](#) [641991-4](#) [644168-1](#) [644827-2](#) [647662-1](#) [65039-019ELF](#) [65692-001LF](#) [65781-018](#) [65781-047](#)