

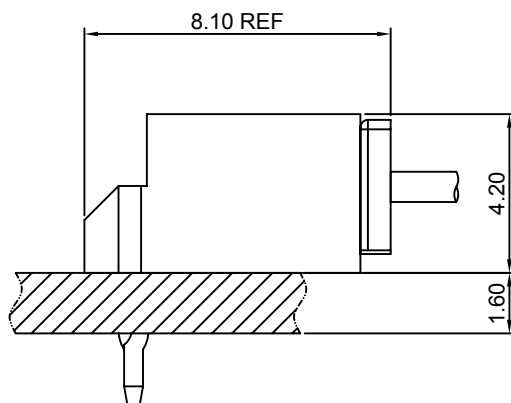
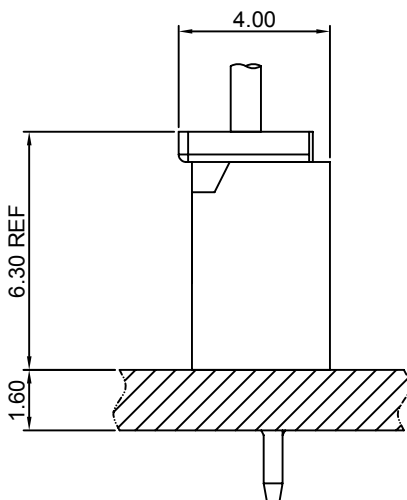
Specifications

- Current rating: 2A AC, DC
- Voltage rating: 100V AC, DC
- Temperature range: -40°C ~ +105°C
- Contact resistance: 10mΩ Max.
- Insulation resistance: 1000MΩ Min.
- Withstanding voltage: 800V AC/minute
- *Compliant with RoHS and REACH*
- *Meet the HF/Halogen Free, need to customize*
- *Contact CJT for details*

Standards



Assembly layout

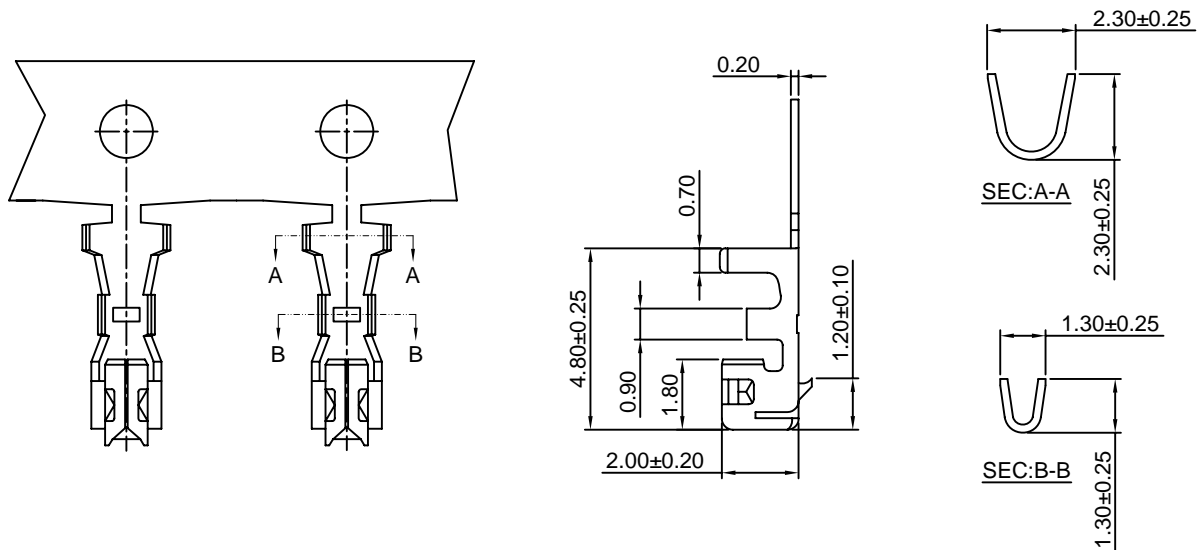


A2010-T

2.00mm Pitch Crimp Terminal

Reference Informations:

*Used in CJT A2010 series Housing



Ordering information & Specifications:

Unit:mm

Part NO.	Wire Range	Insulation O.D.	Material	Finish	Qty/reel
A2010-TP	AWG#24-#30	1.40mm(max)	Phosphor Bronze	Tin over Nickel	10,000 PCS
A2010-GP	AWG#24-#30	1.40mm(max)	Phosphor Bronze	Gold over Nickel	10,000 PCS

Optional Gold plating available but MOQ requested

A2010H

2.00mm Pitch Housing

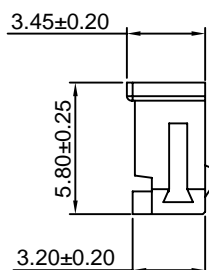
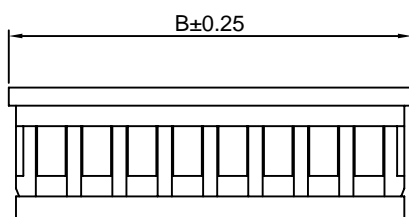
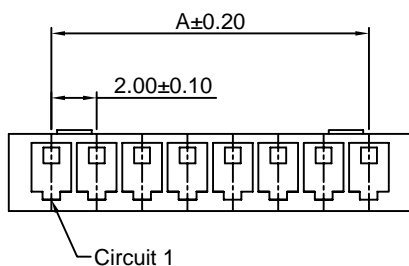
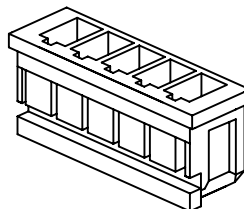
Reference Informations:

*Material:Nylon 66,UL94V-0

*Suitable CJT A2010 series Terminal

*Mates with CJT A2010 series Wafer

*Color:White



Ordering Information & Dimensions:

PART NO.	Dimensions	
	A	B
A2010H-2P	2.00	5.80
A2010H-3P	4.00	7.80
A2010H-4P	6.00	9.80
A2010H-5P	8.00	11.80
A2010H-6P	10.00	13.80
A2010H-7P	12.00	15.80
A2010H-8P	14.00	17.80
A2010H-9P	16.00	19.80
A2010H-10P	18.00	21.80
A2010H-11P	20.00	23.80
A2010H-12P	22.00	25.80
A2010H-13P	24.00	27.80
A2010H-14P	26.00	29.80
A2010H-15P	28.00	31.80

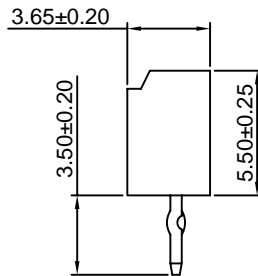
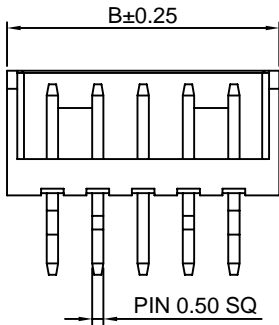
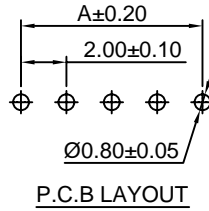
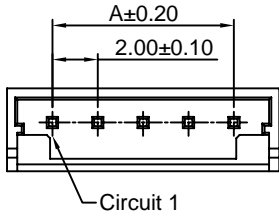
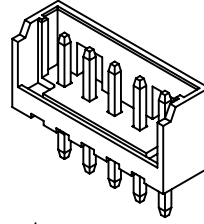
Unit: mm

A2010WV

2.00mm Pitch 180° Wafer

Reference Informations:

- *Material:Pin:Brass/Tin over Nickel
Insulator:Nylon 66,UL94V-0
- *Mates with CJT A2010 series Housing
- *Color:White



Ordering Information & Dimensions:

PART NO.	Dimensions	
	A	B
A2010WV-2P	2.00	6.00
A2010WV-3P	4.00	8.00
A2010WV-4P	6.00	10.00
A2010WV-5P	8.00	12.00
A2010WV-6P	10.00	14.00
A2010WV-7P	12.00	16.00
A2010WV-8P	14.00	18.00
A2010WV-9P	16.00	20.00
A2010WV-10P	18.00	22.00
A2010WV-11P	20.00	24.00
A2010WV-12P	22.00	26.00
A2010WV-13P	24.00	28.00
A2010WV-14P	26.00	30.00
A2010WV-15P	28.00	32.00

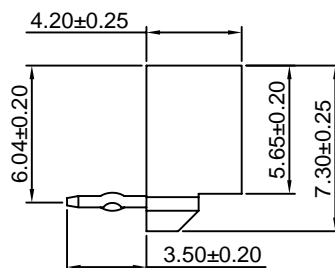
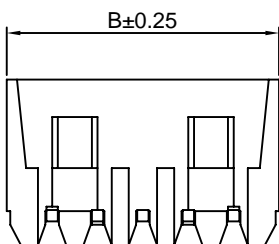
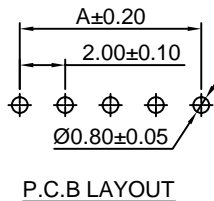
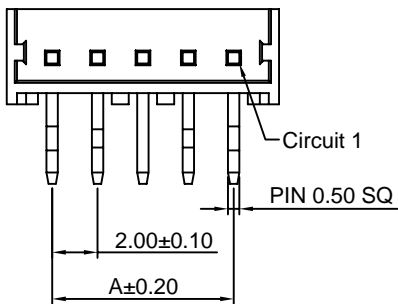
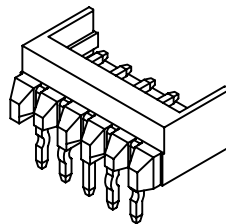
Unit: mm

A2010WR

2.54mm Pitch 90° Wafer

Reference Informations:

- *Material:Pin:Brass/Tin over Nickel
Insulator:Nylon 66,UL94V-0
- *Mates with CJT A2010 series Housing
- *Color:White



Ordering Information & Dimensions:

PART NO.	Dimensions	
	A	B
A2010WR-2P	2.00	6.00
A2010WR-3P	4.00	8.00
A2010WR-4P	6.00	10.00
A2010WR-5P	8.00	12.00
A2010WR-6P	10.00	14.00
A2010WR-7P	12.00	16.00
A2010WR-8P	14.00	18.00
A2010WR-9P	16.00	20.00
A2010WR-10P	18.00	22.00
A2010WR-11P	20.00	24.00
A2010WR-12P	22.00	26.00
A2010WR-13P	24.00	28.00
A2010WR-14P	26.00	30.00
A2010WR-15P	28.00	32.00

Unit: mm

A2010HA-2

2.00mm Pitch Dual Row Housing

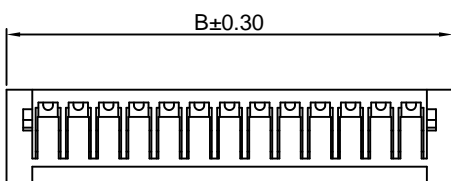
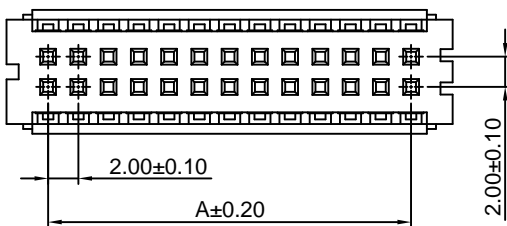
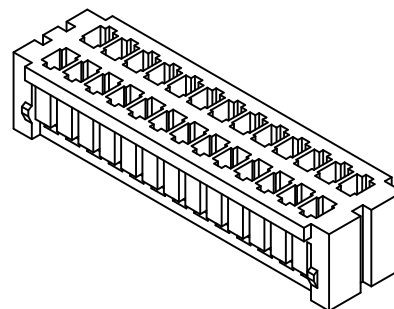
Reference Informations:

*Material:Nylon 66,UL94V-0

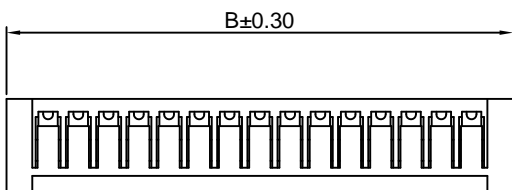
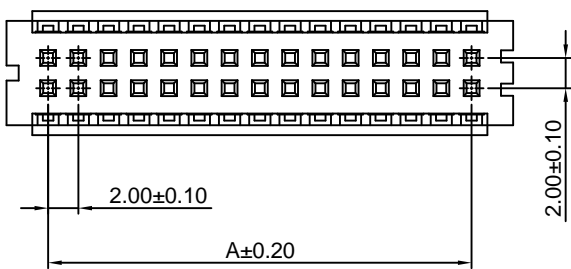
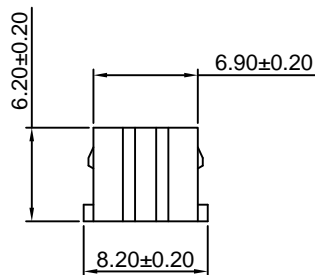
*Suitable CJT A2010 series Terminal

*Mates with CJT A2010WVA-2xXP , A2012WVB-2xXP series Dual Row Wafer

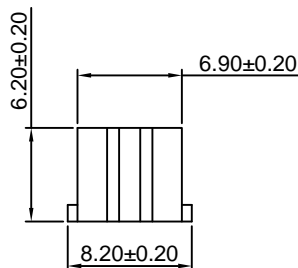
*Color:Gray



2x5P~2x14P



2x15P~2x30P



Ordering Information & Dimensions:

PART NO.	Dimensions	
	A	B
A2010H-2x5P	8.00	13.50
A2010H-2x6P	10.00	15.50
A2010H-2x7P	12.00	17.50
A2010H-2x8P	14.00	19.50
A2010H-2x9P	16.00	21.50
A2010H-2x10P	18.00	23.50
A2010H-2x11P	20.00	25.50
A2010H-2x12P	22.00	27.50
A2010H-2x13P	24.00	29.50
A2010H-2x14P	26.00	31.50
A2010H-2x15P	28.00	33.50
A2010H-2x16P	30.00	35.50
A2010H-2x17P	32.00	37.50
A2010H-2x20P	38.00	43.50
A2010H-2x25P	48.00	53.50
A2010H-2x30P	58.00	63.50

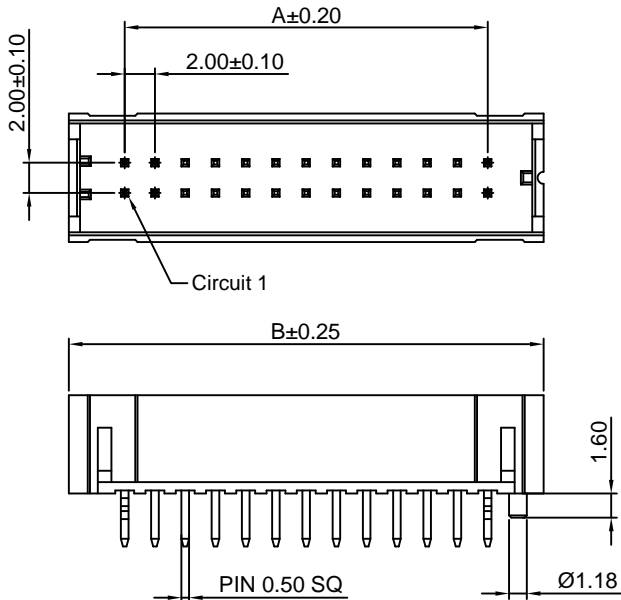
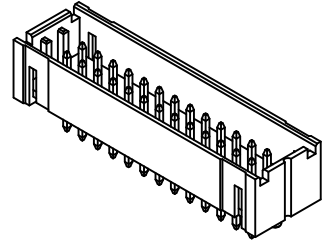
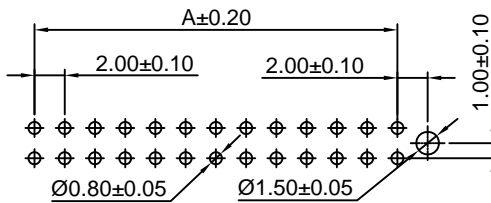
Unit: mm

A2010WVA-2

2.00mm Pitch 180° Dual Row Wafer

Reference Informations:

- *Material: Pin: Brass/Tin over Nickel
Insulator: Nylon 66, UL94V-0
- *Mates with CJT A2010HA-2xXP series Dual Row Housing
- *Color: Gray



P.C.B LAYOUT

Ordering Information & Dimensions:

PART NO.	Dimensions	
	A	B
A2010WVA-2x2P	2.00	9.40
A2010WVA-2x3P	4.00	11.40
A2010WVA-2x4P	6.00	13.40
A2010WVA-2x5P	8.00	15.40
A2010WVA-2x6P	10.00	17.40
A2010WVA-2x7P	12.00	19.40
A2010WVA-2x8P	14.00	21.40
A2010WVA-2x9P	16.00	23.40
A2010WVA-2x10P	18.00	25.40
A2010WVA-2x11P	20.00	27.40
A2010WVA-2x12P	22.00	29.40
A2010WVA-2x13P	24.00	31.40
A2010WVA-2x14P	26.00	33.40
A2010WVA-2x15P	28.00	35.40
A2010WVA-2x16P	30.00	37.40
A2010WVA-2x17P	32.00	39.40
A2010WVA-2x20P	38.00	45.40
A2010WVA-2x25P	48.00	55.40
A2010WVA-2x30P	58.00	65.40

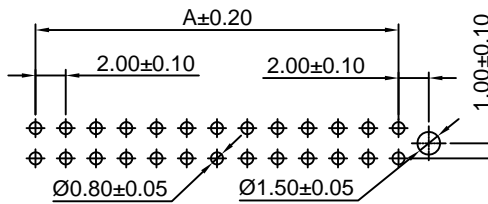
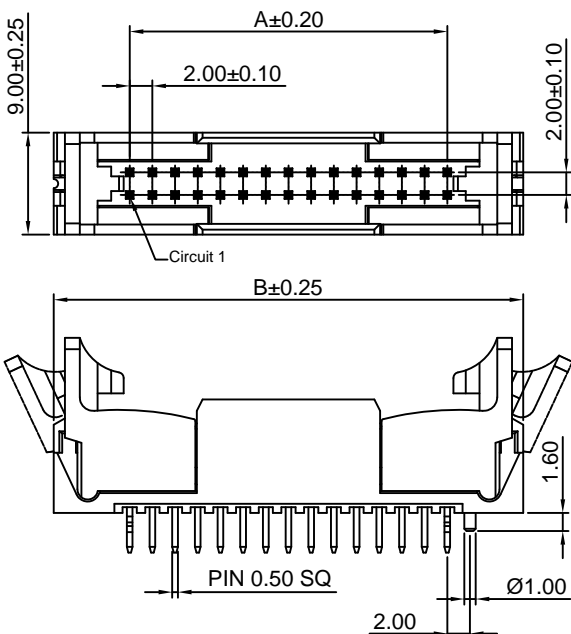
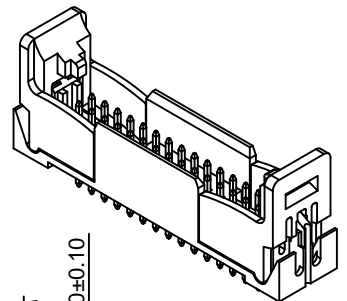
Unit: mm

A2010WVB-2

2.00mm Pitch 180° Dual Row Wafer

Reference Informations:

- *Material: Pin: Brass/Tin over Nickel
Insulator: Nylon 66, UL94V-0
- *Mates with CJT A2010HA-2xXP series Dual Row Housing
- *Color: Gray



P.C.B LAYOUT

Ordering Information & Dimensions:

PART NO.	Dimensions	
	A	B
A2010WVB-2x15P	28.00	41.40
A2010WVB-2x17P	32.00	45.40
A2010WVB-2x20P	38.00	47.40
A2010WVB-2x25P	45.00	49.40
A2010WVB-2x30P	58.00	51.40

Unit: mm

X-ON Electronics

Largest Supplier of Electrical and Electronic Components

Click to view similar products for [Headers & Wire Housings](#) category:

Click to view products by [Changjiang](#) manufacturer:

Other Similar products are found below :

[95000-104TRLF](#) [10135584-644402LF](#) [DF62W-EP2022PCA](#) [95000-106TRLF](#) [DF62W-2022SCA](#) [DF62W-EP2022PC](#) [2203348](#) [DF62W-2022SC](#) [1084018](#) [1029039](#) [1084017](#) [802-10-012-10-002000](#) [1112640](#) [1112639](#) [891-007-9SS-BST1T](#) [000-34000](#) [0008550134](#) [0009482033](#) [0009507031](#) [57102-F02-18ULF](#) [57102-S06-03LF](#) [57202-S52-04LF](#) [PCN6-15S-2.5E](#) [0039019024](#) [58102-G61-06LF](#) [582553-1](#) [0009485154](#) [0009508121](#) [0022285053](#) [0050291907](#) [018731A](#) [LY20-4P-DT1-P1E-BR](#) [02.125.8002.8](#) [60101931](#) [60598-1 \(Cut Strip\)](#) [M1625-3R/100](#) [61062-3](#) [61082-181009](#) [CSU011177004](#) [636-1427](#) [638009-1](#) [641938-9](#) [641991-4](#) [644168-1](#) [644827-2](#) [647662-1](#) [65039-019ELF](#) [65692-001LF](#) [65781-018](#) [65781-047](#)