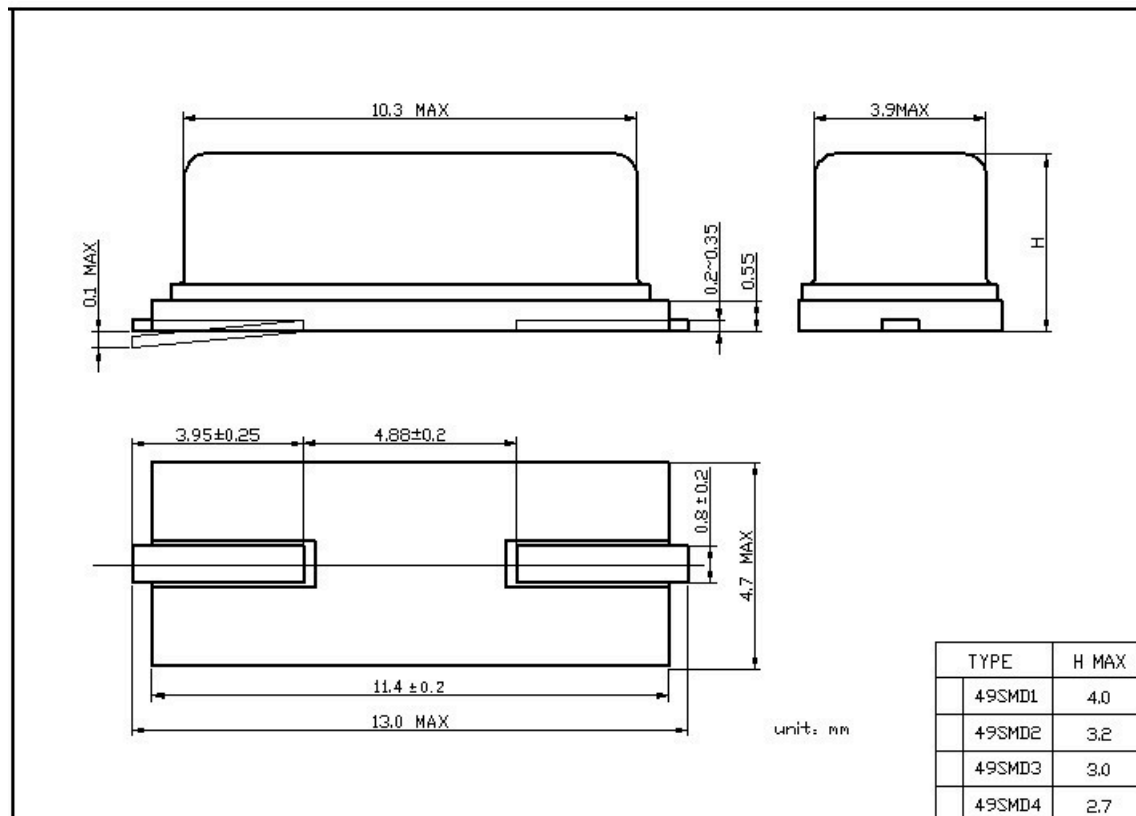




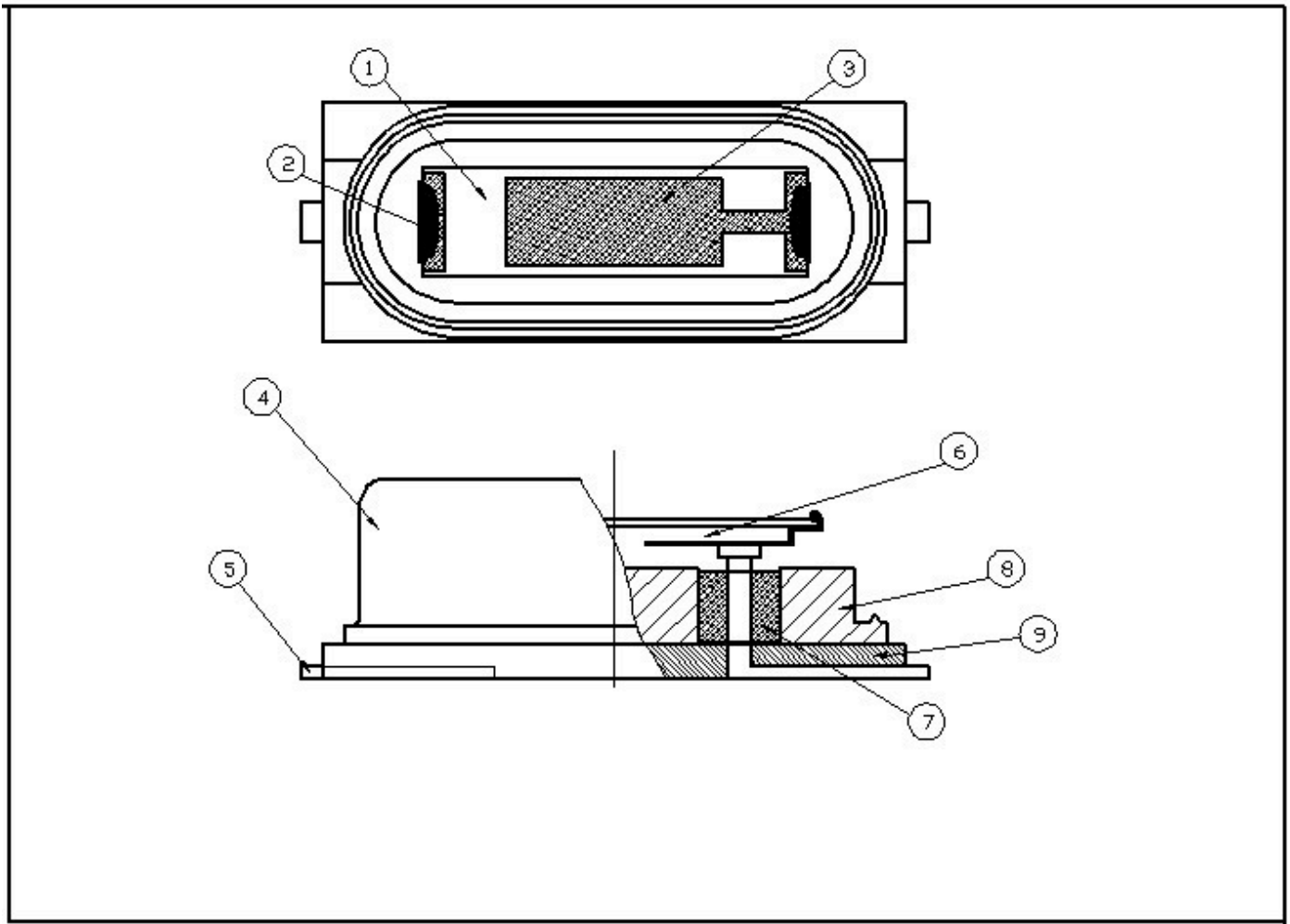
Frequency range	3.00~100.00MHZ
Load Capacitance	Series, 6~32pf, or specify
Frequency Tolerance (at25°C)	± 10 PPM ± 20 PPM ± 30 PPM or specify
Frequency stability Over Operating Temperature Range	± 10 PPM ± 20 PPM ± 30 PPM or specify
Operating Temperature Range	-20~+70°C -40~+85°C or specify
Storage Temperature Range	-40~+85°C
Shunt Capacitance(C0)	7pf-Max
Drive Level	1~1000uW (100uW typical)
Insulation Resistance	500m Minimum at 100VDC
Aging(at25°C)	± 3PPM/year Max.
Remark (备注) :	

DIMENSIONS SPECIFICATIONS (外形尺寸)





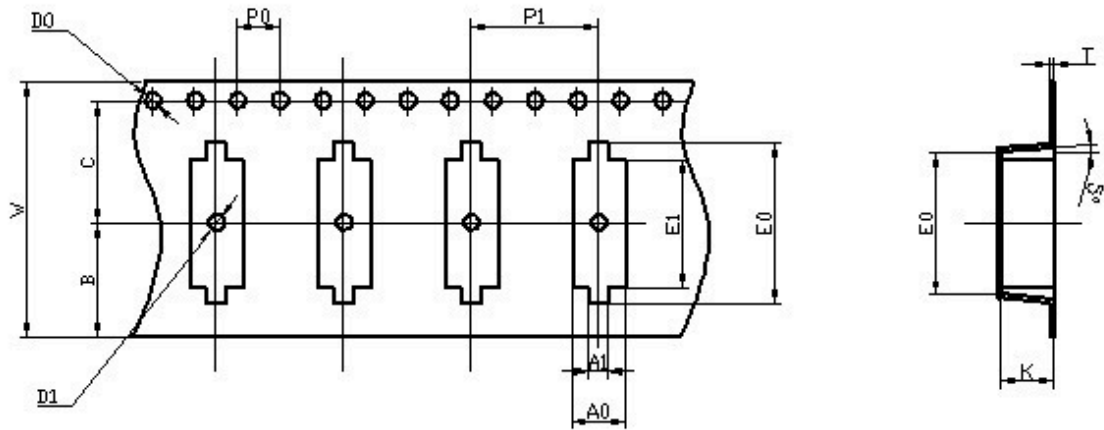
Report of bills of materials and suppliers (物料清单及供应商)





NO.	Product name 部件名称	MATERIALS 材质	QTY 数量	Supplier 供应商
1	Blank 晶片	SIO2	1	DeYangHuiYuan 德阳惠源
2	Silver paste 导电胶	3301F	2	THREE BOND 三键
3	Silver 电极	Ag	2	GuangYang 光洋
4	Cover 外壳	Cu	1	TongLingJingSai 铜陵晶赛
5	Lead 引线	Kovar	2	RiZhaoRongDa 日照荣达
6	Pin 簧片	C7701	2	RiZhaoRongDa 日照荣达
7	GLASS 玻璃珠	GLASS	2	RiZhaoRongDa 日照荣达
8	Base 底板	SPCC-SD	1	RiZhaoRongDa 日照荣达
9	Insulation 垫片	PPA	1	TeFuLong 特富隆

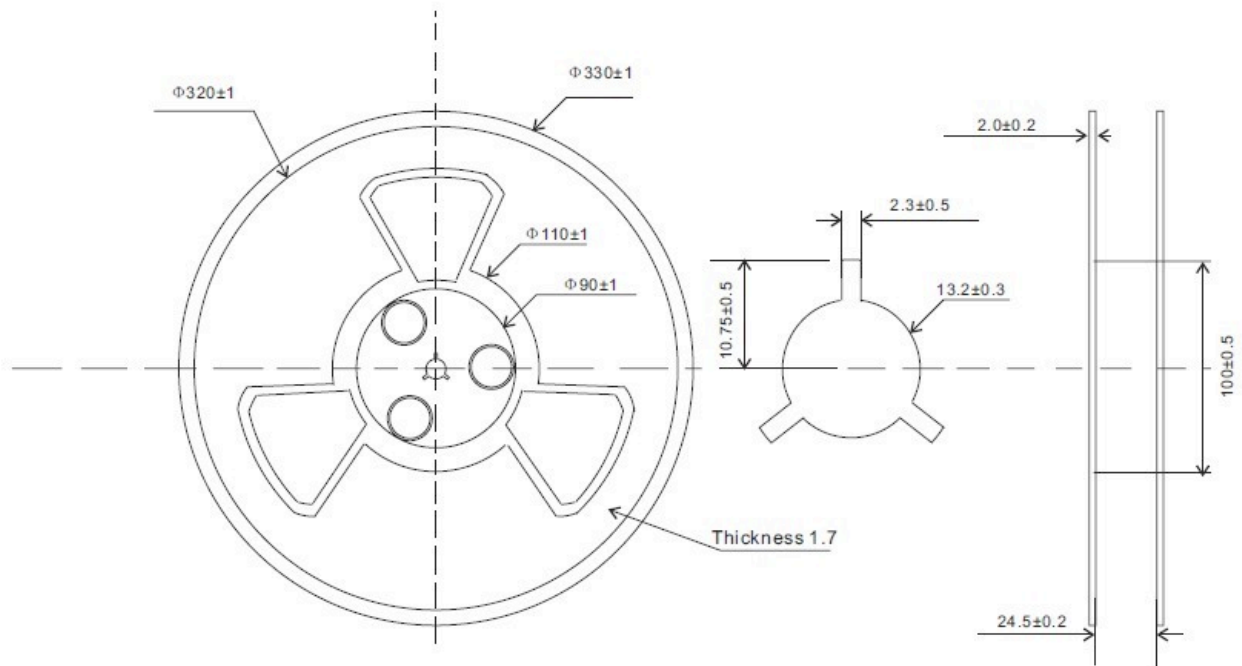
Carrier rype (载带类型)



unit: mm
1000Pcs Per Reel

Symbol Din en slons	A0	A1	B	C	D0	D1	E0	E1	K	P0	P1	T	w
P8-4.35	5.0 ± 0.1	1.8 ± 0.1	10.7 ± 0.2	11.5 ± 0.2	φ 1.5 ± 0.1	φ 1.5 ± 0.1	15.0 ± 0.1	12.0 ± 0.2	4.35 ± 0.1	4.0 ± 0.1	8 ± 0.1	0.4 ± 0.05	24 ± 0.5
P8-3.40	5.0 ± 0.1	1.8 ± 0.1	10.7 ± 0.2	11.5 ± 0.2	φ 1.5 ± 0.1	φ 1.5 ± 0.1	15.0 ± 0.1	12.0 ± 0.2	3.40 ± 0.1	4.0 ± 0.1	8 ± 0.1	0.4 ± 0.05	24 ± 0.5
● P12-4.35	5.0 ± 0.1	1.8 ± 0.1	10.7 ± 0.2	11.5 ± 0.2	φ 1.5 ± 0.1	φ 1.5 ± 0.1	15.0 ± 0.1	12.0 ± 0.2	4.35 ± 0.1	4.0 ± 0.1	12 ± 0.1	0.4 ± 0.05	24 ± 0.5
P12-3.40	5.0 ± 0.1	1.8 ± 0.1	10.7 ± 0.2	11.5 ± 0.2	φ 1.5 ± 0.1	φ 1.5 ± 0.1	15.0 ± 0.1	12.0 ± 0.2	3.40 ± 0.1	4.0 ± 0.1	12 ± 0.1	0.4 ± 0.05	24 ± 0.5

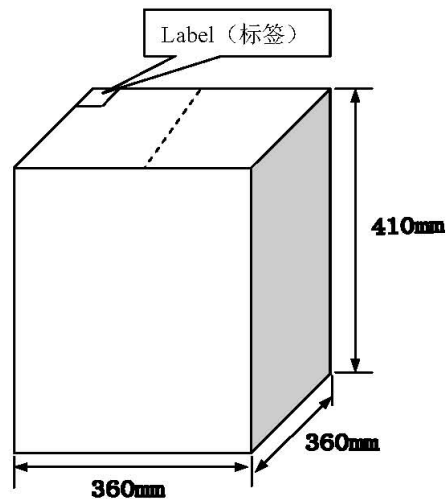
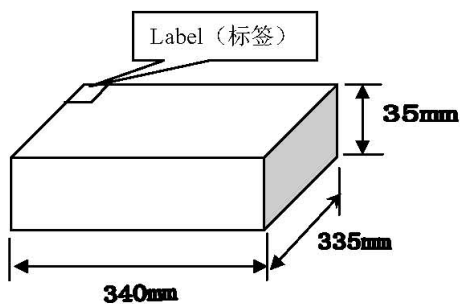
Reel (载盘)



PACKING METHOD(包装样式)



- 1、Packed 1000 pcs in per reel.
1000pcs一卷盘
- 2、Packed 1 reel in 1 box, Size of carton:340mm*335mm*35mm
1卷盘装一盒，纸盒尺寸：340mm*335mm*35mm
- 3、Packed 10 box in 1 carton
10盒一箱
- 4、There are 10000 pcs in 1 carton
总计10000pcs 一箱
- 5、Size of carton:360mm*360mm*410mm
外箱尺寸：360mm*360mm*410mm
- 6、Label mode
标签样式
A: Part NO.
B: Holder Type
C: Frequency
D: CL
E: $\Delta f_1/f_0$
F: ESR
G: Quantity





苏州市利明电子有限公司
Suzhou

代理 杭州创质科技有限公司
Liming

Electronics

Co., Ltd.

6/8

RELIABILITY SPECIFICATIONS 可靠性测试标准

5	Shock 耐冲击性	According to experiment of IEC 68-2-27 method Ba, the biggest acceleration :981m/s ² (100g), work time :6ms, and 6 surfaces , and 3 directions for each surface, and shall be Shocked 18 times in total.		AB	
		按IEC 68-2-27试验Ea进行, 最大加速度: 981m/s ² (100g),作用时间: 6ms, 6面, 每面三个方向, 共18次。			
6	Cold 耐寒性	According to experiment of IEC 68-2-1 method Aa, The quartz crystal unit should be stored at a temperature -40±3℃ for 2 hours, and then it shall be subjected to standard atmospheric conditions for 1 hour, after which measurement shall be made.		A	
		按IEC 68-2-1试验Aa进行, 晶体在温度-40±3℃中放置2小时后, 在常温常湿状态下放置1小时后测试。			
7	Dry Heat 干热	According to experiment of IEC 68-2-2 Ba, quartz crystal unit should be stored at a temperature 85±2℃ for 2 hours. Then it shall be subjected to standard atmospheric conditions for 1 hour ,after which measurement shall be made.		A	
		按IEC 68-2-2试验Ba进行, 晶体在温度85±2℃中放置2小时后, 在常温常湿状态下放置1小时后测试。			
8	High heat and high humidity 稳 态湿热	According to experiment of IEC 68-2-3 method Ta, quartz crystal unit should be stored at a temperature 40±2℃ and at humidity 90~95% for 96 hours. Then it shall be subjected to standard atmospheric conditions for 1 hour.		A	
		按IEC 68-2-3试验Ta进行, 晶体在温度40±2℃, 湿度90~95%中放置96小时后, 在常温常湿状态下放置1小时后测试。			
9	Temperature Cycling 温度 变化	According to experiment of IEC 68-2-14 method Na, quartz crystal unit shall be made 5 temperature cycles ,and then it shall be subjected to standard atmospheric conditions for 1 hour.		A	
		按IEC 68-2-14试验Na进行, 晶体按下表做5个温度循环后, 在常温常湿状态下放置1小时后测试。			
			TEMPERATURE 温度		STORE TIME 放置时间
		1	-40±3℃		30min
		2	Normal Temp(常温)		30sec
		3	100±2℃		30min
4	Normal Temp(常温)	30sec			



10	Drop 跌落	According to experiment of IEC 68-2-32 method Ed, quartz crystal unit shall be dropped from 75cm height on 3cm hard board for 3 times.	AB
		按IEC 68-2-32试验Ed进行, 晶体从75厘米高度自由下落至3厘米硬木板, 重复3次。	
11	Reflow 回流焊	Reflow soldering cure see the chart.	A
		回流焊曲线见下图。 	
12	Leakage 气密性	Alcohol press method: quartz crystal unit shall be immersed in the can, and pressed by 0.5kg press for 30min; Then put away press, and dry it. Quartz crystal unit shall be test insulation resistance by 100V volts d.c for 1 min.	D
		酒精加压法: 晶体浸入酒精罐中, 加压(压力0.5kg, 时间30分钟); 撤去压力后, 晾干晶体, 测量引线与外壳之间绝缘电阻(100V直流电压, 时间1分钟)。	
13	Aging 老化	Quartz crystal unit shall be stored at a temperature $85\pm 2^{\circ}\text{C}$ for 720 ± 12 hours(30days), and then it shall be subjected to standard atmospheric conditions for 1 hour.	A
		晶体在温度 $85\pm 2^{\circ}\text{C}$ 中放置720小时(30天) ± 12 小时后, 在常温常湿状态下放置1小时后测试。	

Accept Level:

判定标准:

No.	specification 标准
A	Satisfying the electric characteristic; Frequency change is at the range of 5PPM and resistance change is at the range of 5Ω .
	电气性能可满足要求: 频率变化量在5ppm以内, 电阻变化量在 5Ω 以内。
B	After each test, no visible damage shall be manifested, nor shall the hermetic seal break down
	试验后, 无机械损伤
C	Dipping in 3 sec. A new uniform coating of solder shall cover a minimum of 95% of the surface being immersed.
	浸锡时间3秒以内, 引线挂锡面积95%以上。
D	Insulation resistance of leads shall be more than $500\text{M}\Omega(100\text{V DC})$.
	端子之间的绝缘电阻 $\geq 500\text{M}\Omega(100\text{V DC})$ 。

X-ON Electronics

Largest Supplier of Electrical and Electronic Components

Click to view similar products for [Crystals category](#):

Click to view products by [Liming manufacturer](#):

Other Similar products are found below :

[CS325S24000000ABJT](#) [718-13.2-1](#) [MC405 32.0000K-R3:PURE SN](#) [FC-135R 32.7680KF-A3](#) [7A-40.000MAAE-T](#) [7B-27.000MBBK-T](#)
[FL2000085](#) [9B-15.360MBBK-B](#) [9C-7.680MBBK-T](#) [ASH7K-32.768KHZ](#) [AT-41.600MAGQ-T](#) [BTD1062E05A-513](#) [LFX TAL066198Cutt](#)
[9C-14.31818MBBK-T](#) [FA-238 50.0000MB30X-K3](#) [FC-12M 32.7680KA-AC3](#) [SSPT7F-9PF20-R](#) [FX325BS-38.88EEM1201](#)
[LFX TAL065253Cutt](#) [LFX TAL066431Cutt](#) [XT9S20ANA14M7456](#) [XT9SNLANA16M](#) [646G-24-2](#) [7A-24.576MBBK-T](#) [7B-30.000MBBK-T](#)
[WX26-32.768K-6PF](#) [9B-14.31818MBBK-B](#) [CD1AM](#) [7B-25.000MAAE-T](#) [7A-14.31818MBBK-T](#) [6504-202-1501](#) [6526-202-1501](#) [FA-118T](#)
[27.1200MB50P-K0](#) [FC-135R 32.7680KA-A3](#) [ABM12-104-37.400MHZT](#) [ABLS-10.000MHZ-D3W-T](#) [BTJ112E01E-513](#) [BTJ722K01C-7067](#)
[BTL-20-513](#) [TSX-3225 24.0000MF15X-AC](#) [TSX-3225 16.0000MF18X-AC](#) [BTJ120E02C](#) [BTL-12-513](#) [7A-10.000MBBK-T](#) [7A-](#)
[11.0592MBBK-T](#) [ABM12-103-24.000MHZT](#) [CS325S25000000ABJT](#) [ABM3B-25.000MHZ-B2-X-T](#) [FC-135 32.7680KA-A5](#) [FX0800015](#)