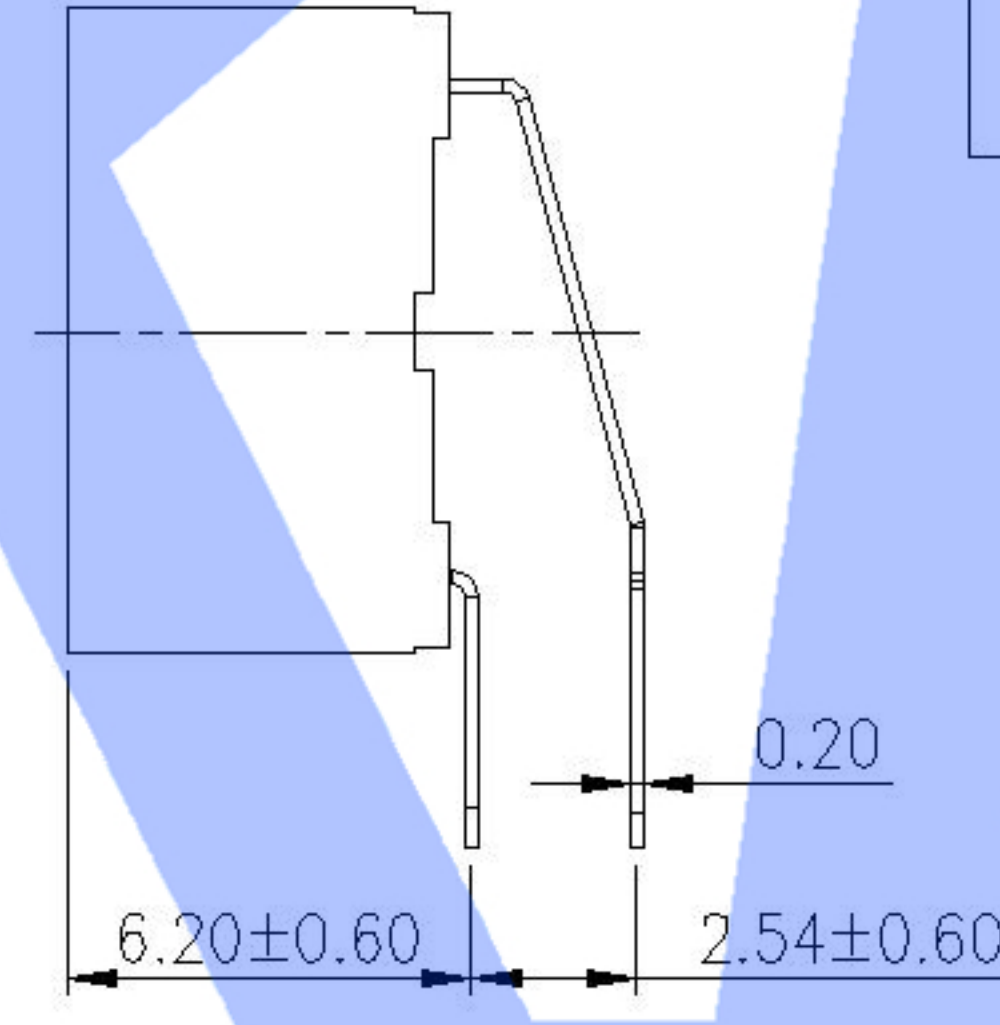
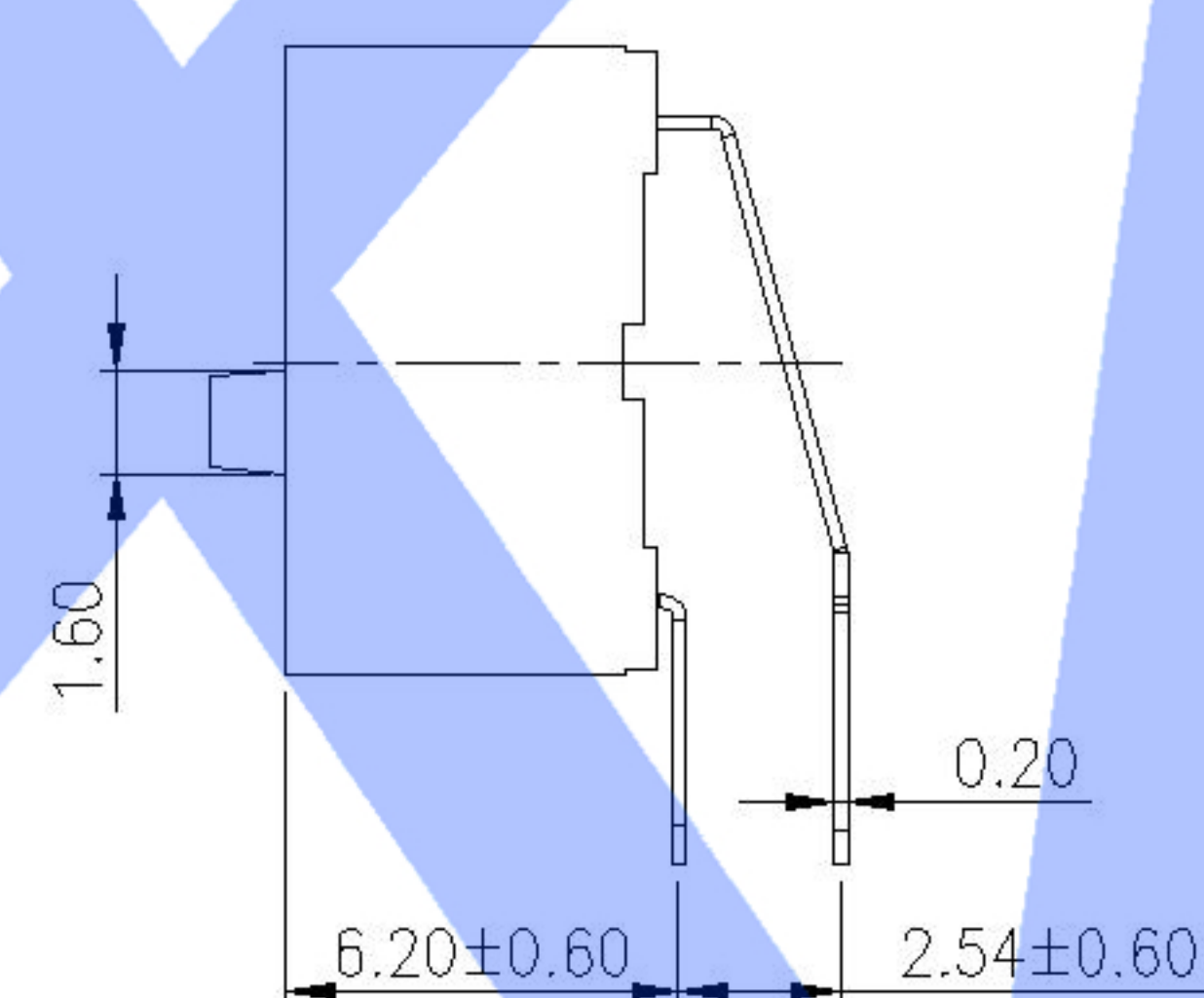
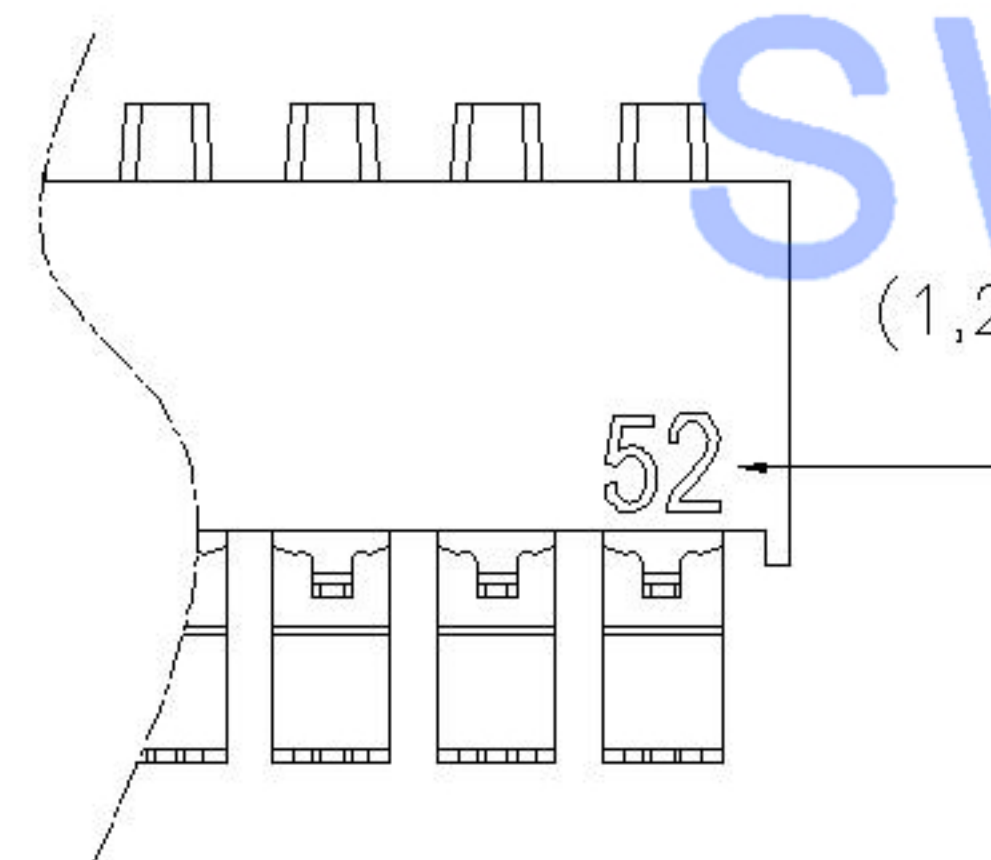
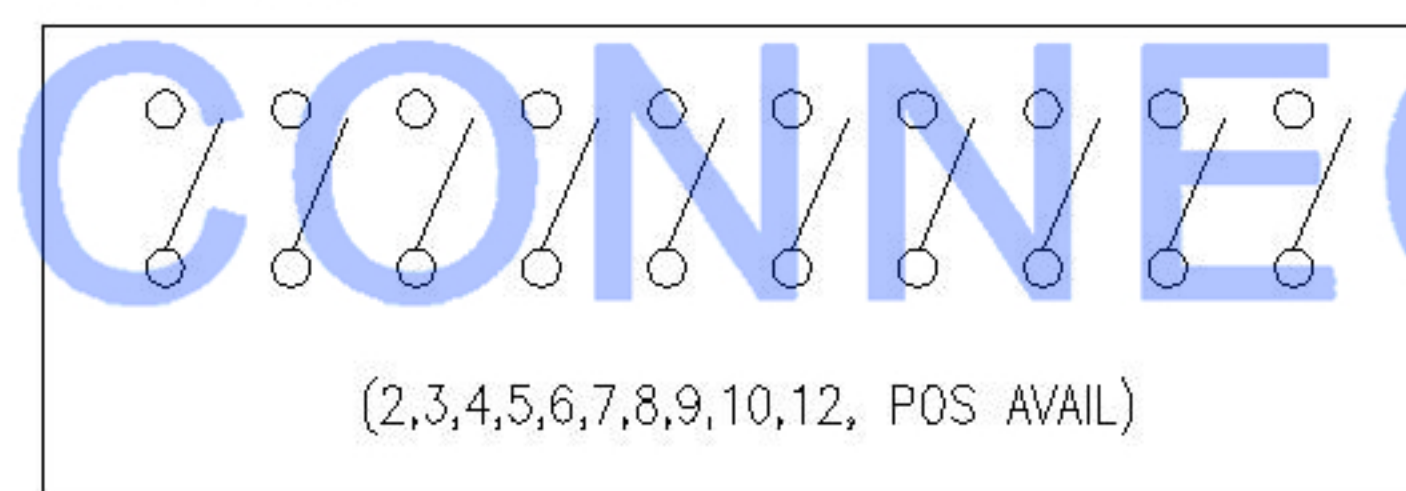


Projection (P)

Short (S)



CIRCUIT



DATE CODE
ex: 0,1,2,~9
(1,2~9,X,Y,Z)

PART NO.	NO.OF POS.	DIM.A	DIM.B	Cover/Red (R)		Cover/Blue (B)	
				Projection (P)	Short (S)	Projection (P)	Short (S)
DA-02	2	6.44	2.54	DA-02RP	DA-02RS	DA-02BP	DA-02BS
DA-03	3	8.98	5.08	DA-03RP	DA-03RS	DA-03BP	DA-03BS
DA-04	4	11.52	7.62	DA-04RP	DA-04RS	DA-04BP	DA-04BS
DA-05	5	14.06	10.16	DA-05RP	DA-05RS	DA-05BP	DA-05BS
DA-06	6	16.60	12.70	DA-06RP	DA-06RS	DA-06BP	DA-06BS
DA-07	7	19.14	15.24	DA-07RP	DA-07RS	DA-07BP	DA-07BS
DA-08	8	21.68	17.78	DA-08RP	DA-08RS	DA-08BP	DA-08BS
DA-09	9	24.22	20.32	DA-09RP	DA-09RS	DA-09BP	DA-09BS
DA-10	10	26.76	22.86	DA-10RP	DA-10RS	DA-10BP	DA-10BS
DA-12	12	31.84	27.94	DA-12RP	DA-12RS	DA-12BP	DA-12BS

SPECIFICATION

Contact Rating	25mA, 24V DC
Contact Resistance	50mΩ max.
Insulation Resistance	100MΩ min. 500V DC
Dielectric Strength	500V AC/1 minute
Operating Force	1,000gf max.
Travel	2mm
Operating Life	2 000 cycles
Operating Temp.	-40°C ~ +85°C
Storage Temp.	-40°C ~ +85°C

MARK	DESCRIPTION	DATE	REVISED	APPROVED	UNSPECIFIED TOLERANCES	DSND	DATE	SCALE: N/A	MODEL TYPE: DIP SWITCH		
ΔX					ANGLAR ±5°	DWN	DATE	VIEW:	PART NO.:		
ΔX					L ≤ 4 ±0.2	CHKD	DATE	UNIT: mm	DWG NO.: DA-XX		
ΔX					4 < L ≤ 16 ±0.3	APPD	DATE	SIZE: A4			
ΔX					16 < L ≤ 63 ±0.4						
MARK					L > 63 ±0.5						
REVISIONS						XKB INDUSTRIAL PRECISION CO., LIMITED			WEIGHT	SHEET	REVISION
www.xkeng.cn www.helloxkb.com www.helloxkb.cn									1.0g	1/1	A0

X-ON Electronics

Largest Supplier of Electrical and Electronic Components

Click to view similar products for [DIP Switches/SIP Switches](#) category:

Click to view products by [XKB](#) manufacturer:

Other Similar products are found below :

[09.400BP.04](#) [106-EM04-EV](#) [106-EM08-EV](#) [106-LP04-EV](#) [106-LPD04-EV](#) [106-SDN06-EV](#) [1-1437507-0](#) [1-1437507-6](#) [1-1571983-1](#) [1-1571983-3](#) [1-1571983-4](#) [1-1571983-5](#) [1-1571998-3](#) [1-1571999-1](#) [1-1571999-6](#) [1-161347-2](#) [1-1825002-0](#) [1-1825002-3](#) [1-1825002-4](#) [1-1825002-7](#) [1-1825002-8](#) [1-1825006-1](#) [1-1825006-3](#) [1-1825006-6](#) [1-1825006-7](#) [1-1825006-9](#) [1-1825007-0](#) [1-1825007-3](#) [1-1825008-0](#) [1-1825008-2](#) [1-1825013-1](#) [1-1825013-7](#) [1-1825013-9](#) [1-1825057-0](#) [1-1825058-3](#) [1-1825058-6](#) [1-1825058-9](#) [1-1825059-1](#) [1-1825059-2](#) [1-1825059-3](#) [1-1825059-4](#) [1-1825059-7](#) [1-1825059-8](#) [1-1825059-9](#) [1-1825190-0](#) [1-1825286-0](#) [1-382394-5](#) [1-382394-7](#) [1-435802-5](#) [1-435802-](#)