



# TAI-SAW TECHNOLOGY CO., LTD.

No. 3, Industrial 2nd Rd., Ping-Chen Industrial District,  
Taoyuan, 324, Taiwan, R.O.C.

TEL: 886-3-4690038 FAX: 886-3-4697532

E-mail: [tstsales@mail.taisaw.com](mailto:tstsales@mail.taisaw.com) Web: [www.taisaw.com](http://www.taisaw.com)

## Product Specifications Approval Sheet

Product Description: SAW Rx Filter 2605 MHz LTE Band41 SMD 1109

TST Part No.: TA1991A

Customer Part No.: \_\_\_\_\_

Customer signature required
Company: _____
Division: _____
Approved by : _____
Date: _____

Checked by: \_\_\_\_\_ Jun-Mao Chang 

Approved by: \_\_\_\_\_ Andy Yu 

Date: \_\_\_\_\_ 2017/06/02

1. Customer signed back is required before TST can proceed with sample build and receive orders.
2. Orders received without customer signed back will be regarded as agreement on the specifications.
3. Any specifications changes must be approved upon by both parties and a new revision of specifications shall be released to reflect the changes.



# TAI-SAW TECHNOLOGY CO., LTD.

No. 3, Industrial 2nd Rd., Ping-Chen Industrial District,  
 Taoyuan, 324, Taiwan, R.O.C.  
 TEL: 886-3-4690038 FAX: 886-3-4697532  
 E-mail: [tstsales@mail.taisaw.com](mailto:tstsales@mail.taisaw.com) Web: [www.taisaw.com](http://www.taisaw.com)

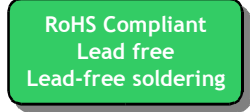
## SAW Rx Filter 2605 MHz LTE Band 41 SMD 1109(100MHz BW)

MODEL NO.: TA1991A

REV. NO.:3

### A. MAXIMUM RATING:

1. Input Power Level: 10 dBm
2. DC Voltage: 0V
3. Operating Temperature: -20°C to +85°C
4. Storage Temperature: -40°C to +85°C
5. Moisture Sensitivity Level: Level 3 (MSL3)
6. ESD 50V(MM) 100V(HBM)

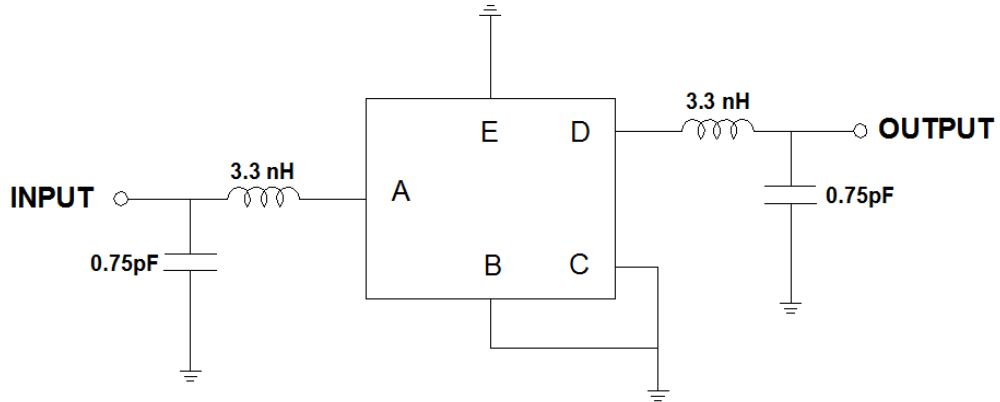


Electrostatic Sensitive Device (ESD)

### B. ELECTRICAL CHARACTERISTICS:

Parameters Description	Unit	Min.	Typ.	Max.
Center Frequency (Fo)	MHz	-	2605	-
Insertion Loss within 2555.0 ~ 2575.0 MHz	dB	-	3.6	3.8
2575.0 ~ 2635.0 MHz	dB	-	1.7	2.6
2635.0 ~ 2655.0 MHz	dB	-	3.2	3.5
Amplitude Ripple within 2550.0 ~ 2655.0 MHz	dBp-p	-	1.9	2.5
<b>Attenuation:</b>				
10.0 ~ 960.0 MHz	dB	32	38	-
1225.0 ~ 1559.0 MHz	dB	30	35	-
1559.0 ~ 1606.0 MHz	dB	30	35	-
1606.0 ~ 1710.0 MHz	dB	28	34	-
1710.0 ~ 2170.0 MHz	dB	28	35	-
2170.0 ~ 2400.0 MHz	dB	28	34	-
2401.0 ~ 2438.0 MHz	dB	35	38	-
2421.0 ~ 2483.0 MHz	dB	35	45	-
2750.0 ~ 4900.0 MHz	dB	27	38	-
4900.0 ~ 6000.0 MHz	dB	40	45	-
6000.0 ~ 8000.0 MHz	dB	40	45	-
VSWR within 2555.0~2655.0 MHz	-	-	1.5	2.2

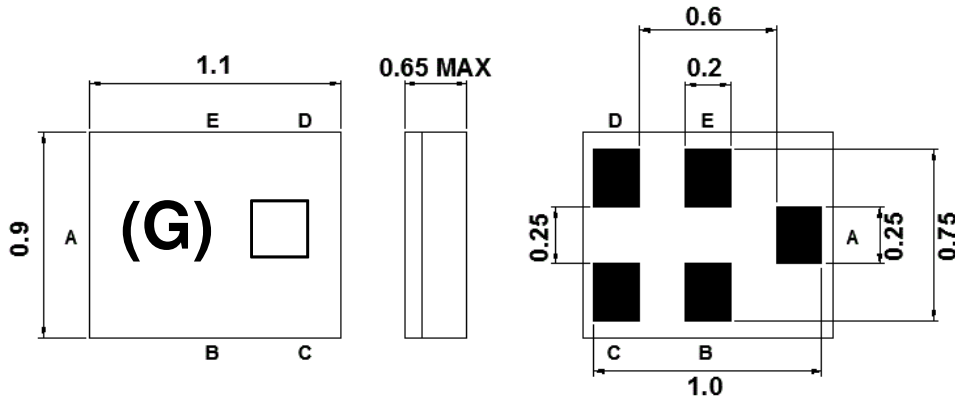
**C. MEASUREMENT CIRCUIT:**



Pin Description

B, C, E	Ground
A	Input
D	Output

**D. OUTLINE DRAWING:**



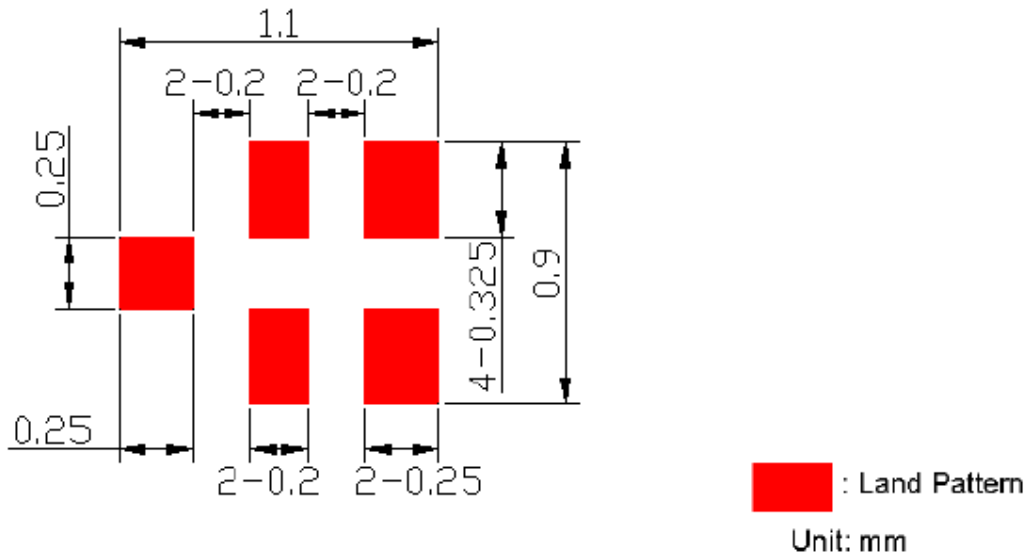
(G): Series Number

□: Date Code(Year+Month)

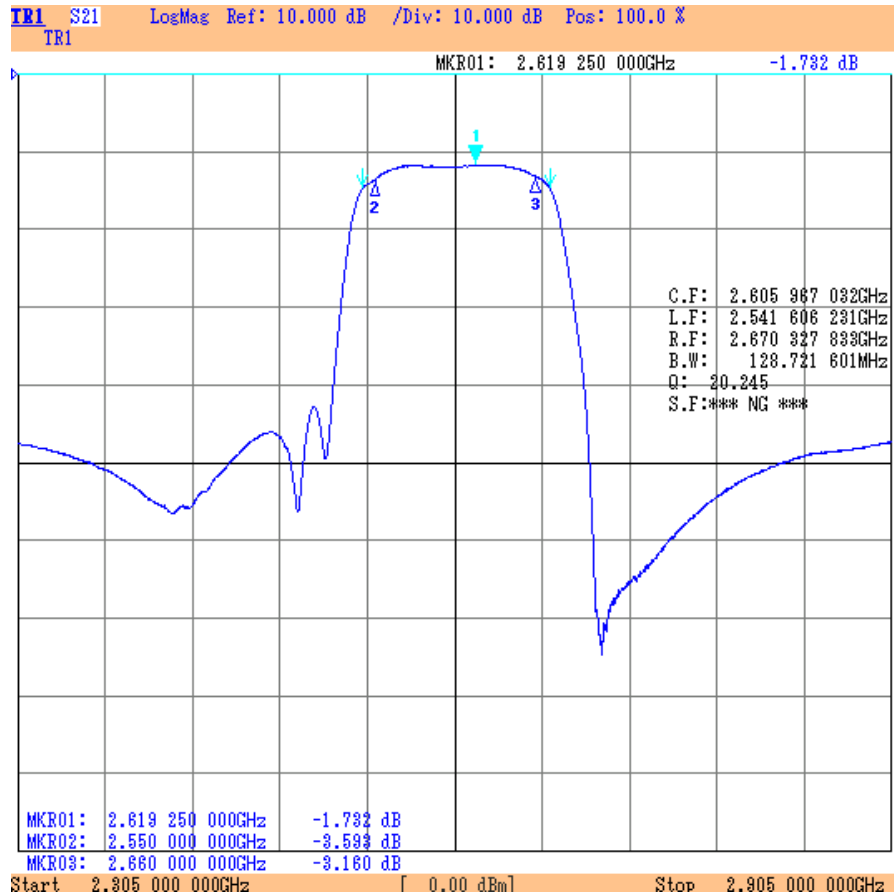
**Date Code Table:**

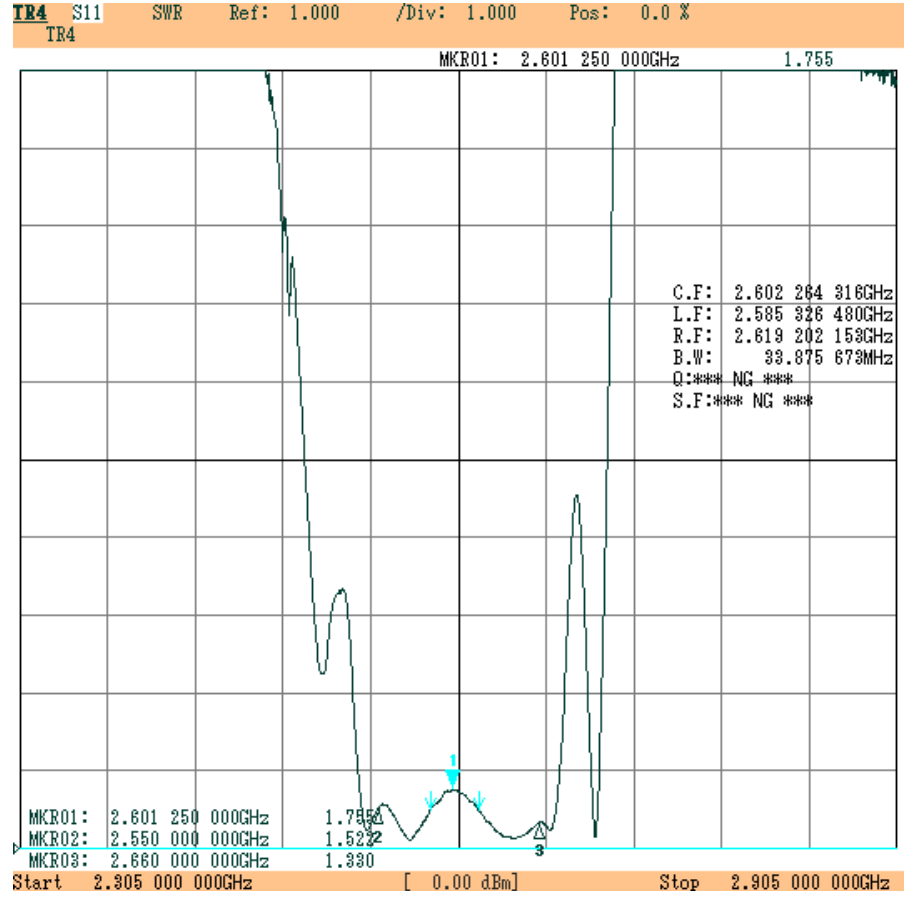
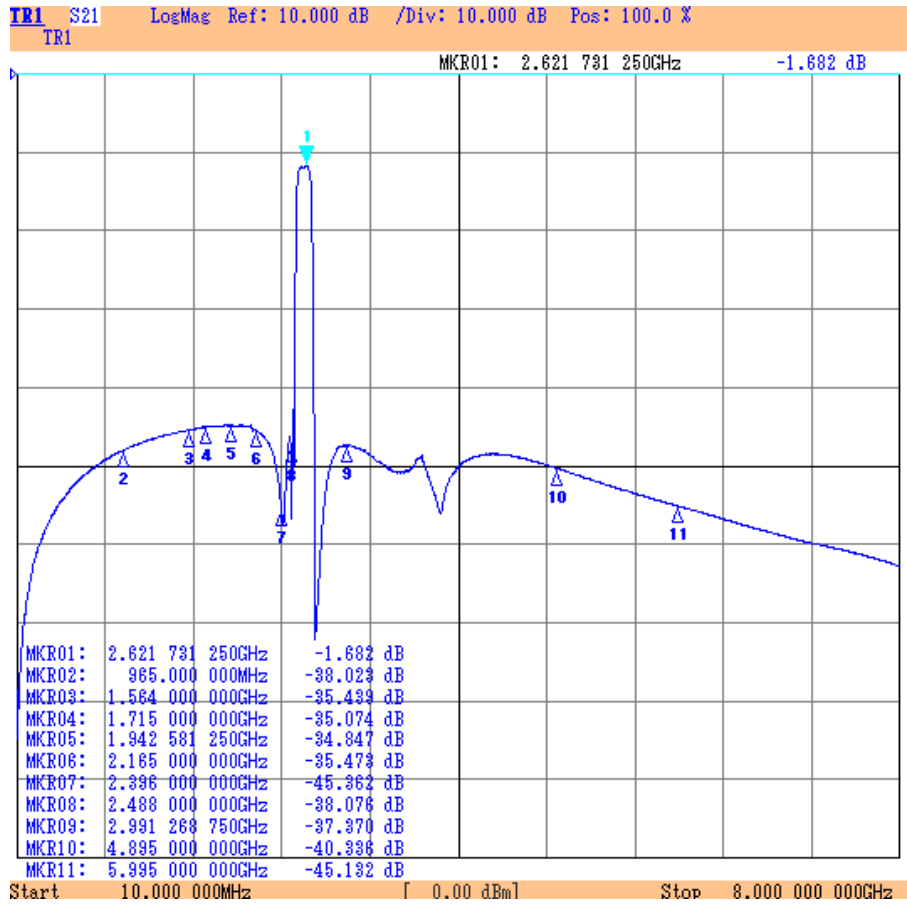
	Jan.	Feb.	Mar.	Apr.	May	Jun.	July	Aug.	Sep.	Oct.	Nov.	Dec.
2015	a	b	c	d	e	f	g	h	j	k	l	m
2016	n	p	q	r	s	t	u	v	w	x	y	z
2017	<u>A</u>	<u>B</u>	<u>C</u>	<u>D</u>	<u>E</u>	<u>F</u>	<u>G</u>	<u>H</u>	<u>J</u>	<u>K</u>	<u>L</u>	<u>M</u>
2018	<u>N</u>	<u>P</u>	<u>Q</u>	<u>R</u>	<u>S</u>	<u>T</u>	<u>U</u>	<u>V</u>	<u>W</u>	<u>X</u>	<u>Y</u>	<u>Z</u>

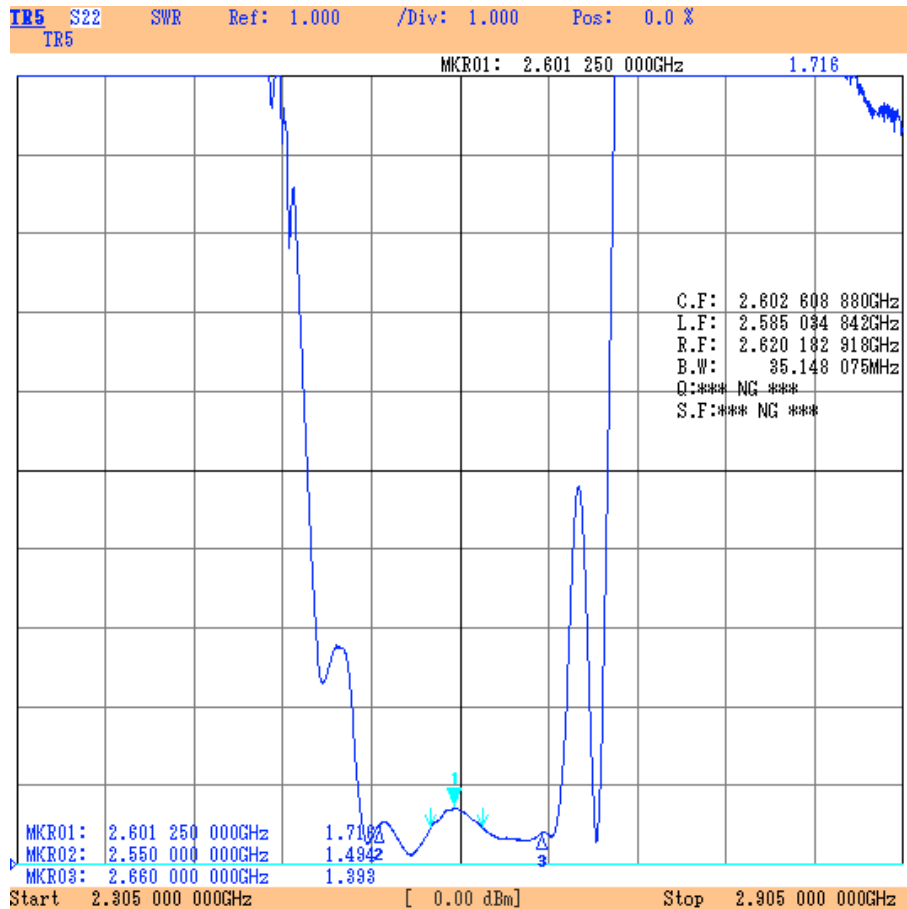
**E. PCB Footprint:**



**F. Frequency Characteristics:**



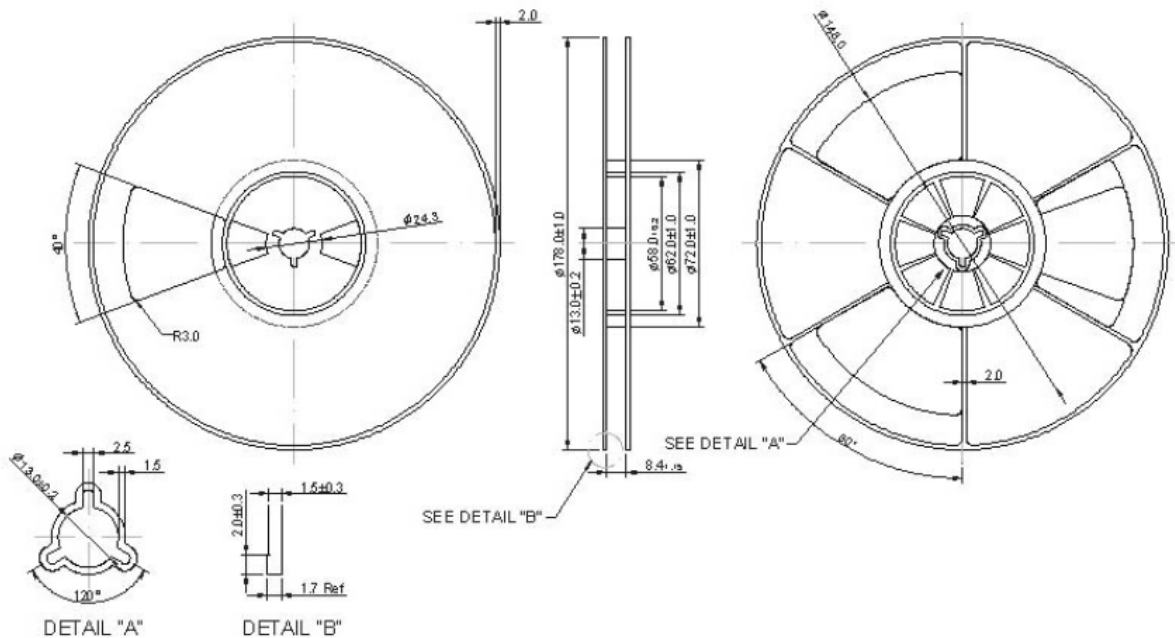




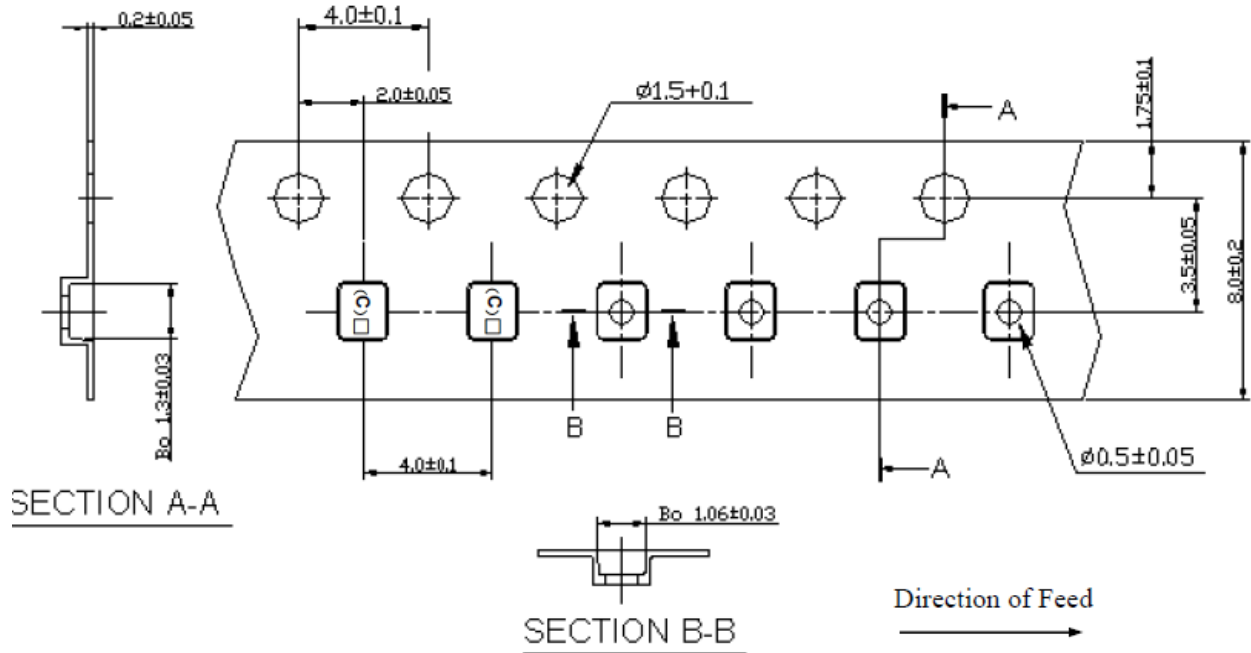
**G. PACKING:**

**1. REEL DIMENSION**

7" / 5000pcs

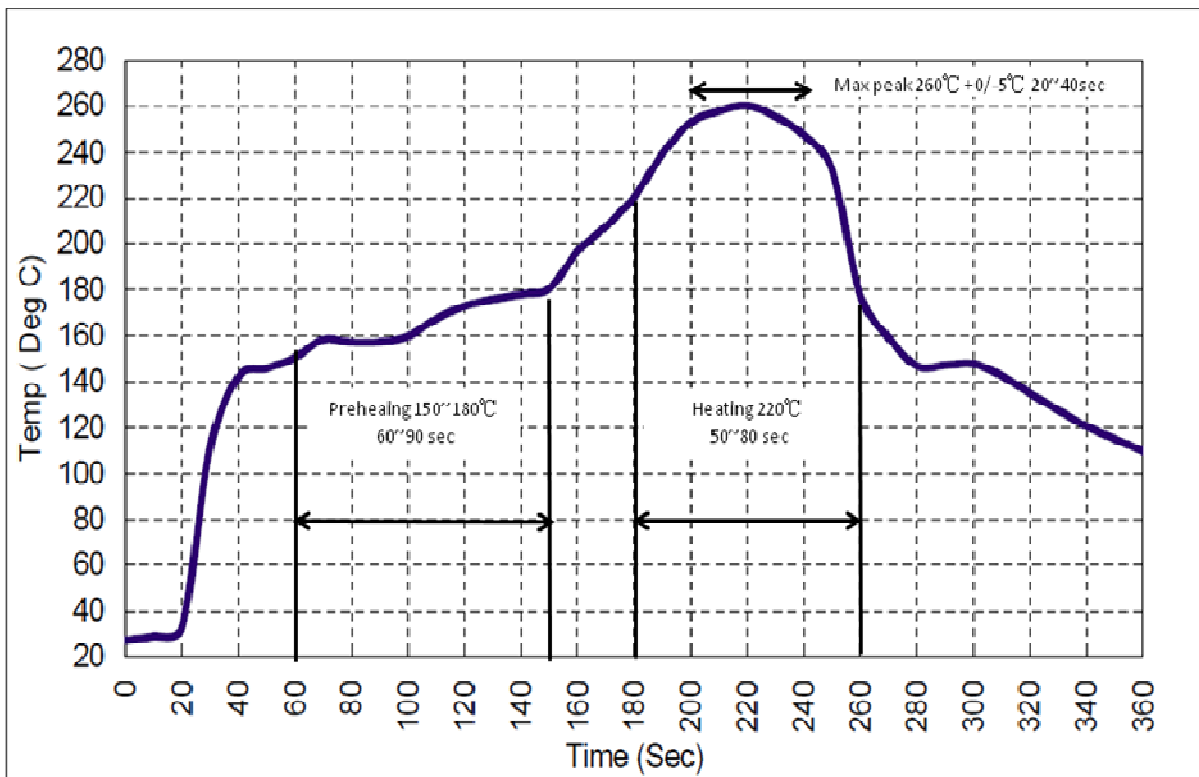


## 2. TAPE DIMENSION



### H. Recommended Reflow Profile:

1. Preheating shall be fixed at 150~180°C for 60~90 seconds.
2. Ascending time to preheating temperature 150°C shall be 30 seconds min.
3. Heating shall be fixed at 220°C for 50~80 seconds and at 260°C +0/-5°C peak (20~40sec).
4. Time: 2 times.



## X-ON Electronics

Largest Supplier of Electrical and Electronic Components

*Click to view similar products for [Signal Conditioning](#) category:*

*Click to view products by [Touchstone](#) manufacturer:*

Other Similar products are found below :

[MAPDCC0004](#) [PD0409J5050S2HF](#) [880157](#) [HHS-109-PIN](#) [DC1417J5005AHF](#) [DC4859J5005AHF](#) [AFS14A30-2185.00-T3](#) [AFS14A35-1591.50-T3](#) [DS-323-PIN](#) [DSS-313-PIN](#) [B39321R801H210](#) [B39321R821H210](#) [B39921B4317P810](#) [1A0220-3](#) [2089-6207-00](#) [JP510S](#) [LFB212G45SG8C341](#) [LFB322G45SN1A504](#) [LFL182G45TC3B746](#) [SF2159E](#) [30057](#) [1P510S](#) [CER0813B](#) [3A325](#) [40287](#) [41180](#) [ATB3225-75032NCT](#) [B69842N5807A150](#) [BD0810N50100AHF](#) [BD2326L50200AHF](#) [BD2425J50200AHF](#) [HMC189AMS8TR](#) [C5060J5003AHF](#) [JHS-114-PIN](#) [JP503AS](#) [DC0710J5005AHF](#) [DC2327J5005AHF](#) [DC3338J5005AHF](#) [43020](#) [LFB2H2G60BB1C106](#) [LFL15869MTC1B787](#) [X3C19F1-20S](#) [XC3500P-20S](#) [10013-20](#) [SF2081E](#) [SF2194E](#) [SF2238E](#) [CDBLB455KCAX39-B0](#) [RF1353C](#) [PD0922J5050D2HF](#)