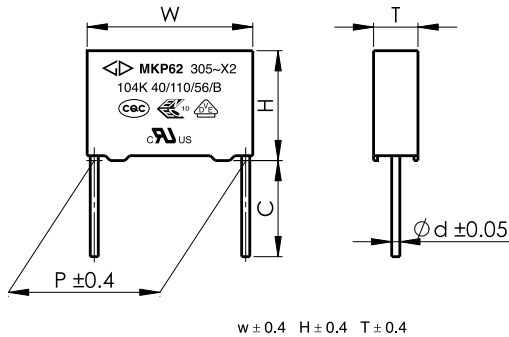


金属化聚丙烯膜抗干扰电容器 (X2类, 305Vac/275Vac, 小型化) Metallized polypropylene film Interference Suppression capacitor (Class X2, 305Vac/275Vac, Miniature version)

■ 外形图 Outline Drawing



■ 特点

- 金属化聚丙烯
- 能承受过压冲击
- 优异的阻燃性能
- 用于电源跨线路等抗干扰场合(室内)

■ Features

- Metallized polypropylene structure
- Withstanding overvoltage stressing
- Excellent active and passive flame resistant abilities
- Used in across-the-line, interference suppression circuit (indoor applications)

■ 安全认证 Safety Approvals

| | | | |
|---|---|--------------------|---|
| ● |  | CQC (中国) | IEC 60384-14:2013, X2, 305Vac/275Vac, 0.0010 μF~50.0 μF, 40/110/56/B 证书号(Certificate No.): CQC03001002875 |
| ● |  | ENEC-VDE (欧盟) | EN 60384-14:2013, X2, 305Vac/275Vac, 0.0010 μF~50.0 μF, 40/110/56/B 证书号(Certificate No.): 40000358 |
| ● |  | UL/CUL (美国/加拿大) | UL 60384-14:2009, CSA E60384-14:09, X2, 305Vac/275Vac, 0.0010 μF~50.0 μF, 40/110/56/B 证书号(File No.): E186600, CCN: FOWX2/8 |
| ● |  | KC (韩国) | K 60384-14(2006-12), X2, 305Vac/275Vac, 0.0010 μF~3.0 μF, 40/110/56/B 证书号(Certificate No.): SU03060-12001A/12002/12003/12004 |

■ 技术要求 Specifications

| | | | |
|--|--|-------------------------------------|--------------------------------------|
| 电容器类别 Class | X2 类 | | |
| 气候类别 / 阻燃等级 Climatic Category/Passive Flammability Category | 40/110/56/B | | |
| 工作温度范围 Operating Temperature Range | -40℃ ~ +110℃ | | |
| 额定电压 Rated Voltage (U _R) | 305Vac/275Vac, 50/60Hz | | |
| 最大额定电源电压 Max rated supply mains voltage | 250Vac, 50/60Hz | | |
| 最大连续直流电压 Maximum continuous DC voltage | 560Vdc | | |
| 电容量范围 Capacitance Range | 0.033μF ~ 0.47μF | | |
| 电容量偏差 Capacitance Tolerance | ± 10%(K), ± 20%(M) | | |
| 耐电压 Voltage Proof | 引线之间 Between Terminals: | 4.3U _R (dc), 2s | |
| | 极壳之间 Between Terminals To Case: | 2 120Vac, 1min | |
| 绝缘电阻 Insulation Resistance | R ≥ 15 000MΩ, C _N ≤ 0.33μF RC _N ≥ 5 000s, C _N > 0.33μF (20℃, 100V, 1min) | | |
| 损耗角正切 Dissipation Factor (tan δ) | 0.033μF ≤ C _N < 0.47μF | ≤ 10 × 10 ⁻⁴ (1kHz, 20℃) | ≤ 20 × 10 ⁻⁴ (10kHz, 20℃) |
| | C _N = 0.47μF | ≤ 20 × 10 ⁻⁴ (1kHz, 20℃) | ≤ 40 × 10 ⁻⁴ (10kHz, 20℃) |



MKP62

Code: C42

产品编码说明 Part number system

■ 18位产品代码如下:

The 18 digits part number is formed as follow:

| | | | | | | | | | | | | | | | | | |
|---|---|---|---|---|---|---|---|---|----|----|----|----|----|----|----|----|----|
| 1 | 2 | 3 | 4 | 5 | 6 | 7 | 8 | 9 | 10 | 11 | 12 | 13 | 14 | 15 | 16 | 17 | 18 |
| C | 4 | 2 | | | | | | | | | | | | | | | |

| | | | |
|---------|--|----------------|--|
| 第1~3位 | 型号代码 C42=MKP62 | Digit 1 to 3 | Series code C42=MKP62 |
| 第4~5位 | 交流额定电压 Q2=305V P2=275V | Digit 4 to 5 | AC rated voltage Q2=305V P2=275V |
| 第6~8位 | 标称容量 举例: 103=10 × 10 ³ pF=0.01μF | Digit 6 to 8 | Rated capacitance value For example: 103=10 × 10 ³ pF=0.01μF |
| 第9位 | 容量偏差 K= ± 10%, M= ± 20% | Digit 9 | Capacitance tolerance K= ± 10%, M= ± 20% |
| 第10位 | 引线脚距P 3=7.5mm 4=10.0mm 6=15.0mm | Digit 10 | Pitch 3=7.5mm 4=10.0mm 6=15.0mm |
| 第11位 | 内部特征码 | Digit 11 | Internal use |
| 第12~15位 | 引线加工和包装代码 | Digit 12 to 15 | Lead form and packaging code |
| 第16~18位 | 内部特征码 | Digit 16 to 18 | Internal use |

■ Table 1 引线加工和包装代码 lead form and packaging code

| 第 12 位 Digit 12 | | 第 13 位 Digit 13 | | 第 14 位 Digit 14 | | 第 15 位 Digit 15 | |
|-----------------|---|-----------------|---|-----------------|------------------|-----------------|--|
| 代码 Code | 说明 explanation | 代码 Code | 说明 explanation | 代码 Code | 说明 explanation | 代码 Code | 说明 explanation |
| A | 弹带包装 ammo-pack | 3 | F=7.5mm | 0 | 表示直脚 straight | 1 | 产品在连续的两个载带孔之间 each cap. among two consecutive holes P3=12.7mm,H=18.5mm (For pitch=7.5mm) |
| | | 4 | F=10.0mm | | | 5 | P3=25.4mm;H=18.5mm (For pitch=10.0/15.0mm) (Detail parameter refer to catalogue pag 17) |
| | | 6 | F=15.0mm | | | | |
| C | 直脚 straight lead “C” in the figure above | 代码 Code | 说明 explanation | 0 | | 0 | 引线长度偏差 ± 0.5mm 或标准长度 Length tolerance ± 0,5mm Or standard length |
| | | 00 | 标准的引线长度 (18mm~26mm) standard lead length | | | | |
| | | 45 | 引线长度 4.5mm lead length 4.5mm | | | | |

■ 外形尺寸 Dimensions (mm)

| 305Vac/275Vac [#] | | | | | | |
|----------------------------|------|------|-----|------|-----|--------------------|
| C _N (μF) | W | H | T | P | d | Part number |
| 0.033M | 10.5 | 9.0 | 4.0 | 7.5 | 0.6 | C42Q2333M3F****+++ |
| 0.033K | 10.5 | 11.0 | 5.0 | 7.5 | 0.6 | C42Q2333K3F****+++ |
| 0.039 | 10.5 | 11.0 | 5.0 | 7.5 | 0.6 | C42Q2393-3F****+++ |
| 0.047 | 10.5 | 11.0 | 5.0 | 7.5 | 0.6 | C42Q2473-3F****+++ |
| 0.056 | 10.5 | 11.0 | 5.0 | 7.5 | 0.6 | C42Q2563-3F****+++ |
| 0.068 | 10.5 | 12.0 | 6.0 | 7.5 | 0.6 | C42Q2683-3F****+++ |
| 0.082 | 10.5 | 12.0 | 6.0 | 7.5 | 0.6 | C42Q2823-3F****+++ |
| 0.033 | 13.0 | 9.0 | 4.0 | 10.0 | 0.6 | C42Q2333-4F****+++ |
| 0.039 | 13.0 | 9.0 | 4.0 | 10.0 | 0.6 | C42Q2393-4F****+++ |
| 0.047 | 13.0 | 9.0 | 4.0 | 10.0 | 0.6 | C42Q2473-4F****+++ |
| 0.056 | 13.0 | 9.0 | 4.0 | 10.0 | 0.6 | C42Q2563-4F****+++ |
| 0.068 | 13.0 | 11.0 | 5.0 | 10.0 | 0.6 | C42Q2683-4F****+++ |
| 0.082 | 13.0 | 11.0 | 5.0 | 10.0 | 0.6 | C42Q2823-4F****+++ |
| 0.10M | 13.0 | 10.0 | 5.0 | 10.0 | 0.6 | C42Q2104M4G****+++ |
| 0.10 | 13.0 | 11.0 | 5.0 | 10.0 | 0.6 | C42Q2104-4F****+++ |
| 0.12 | 13.0 | 12.0 | 6.0 | 10.0 | 0.6 | C42Q2124-4F****+++ |
| 0.15M | 13.0 | 12.0 | 6.0 | 10.0 | 0.6 | C42Q2154M4F****+++ |
| 0.15K | 13.0 | 13.0 | 7.0 | 10.0 | 0.6 | C42Q2154K4F****+++ |
| 0.18 | 13.0 | 13.0 | 7.0 | 10.0 | 0.6 | C42Q2184-4F****+++ |
| 0.22 | 13.0 | 14.0 | 8.0 | 10.0 | 0.6 | C42Q2224-4F****+++ |

| 305Vac/275Vac [#] | | | | | | |
|----------------------------|------|------|-----|------|-----|--------------------|
| C _N (μF) | W | H | T | P | d | Part number |
| 0.10 | 17.5 | 9.5 | 5.0 | 15.0 | 0.6 | C42Q2104-6F****+++ |
| 0.12 | 17.5 | 9.5 | 5.0 | 15.0 | 0.6 | C42Q2124-6F****+++ |
| 0.15 | 17.5 | 11.0 | 5.0 | 15.0 | 0.6 | C42Q2154-6F****+++ |
| 0.18M | 17.5 | 11.0 | 5.0 | 15.0 | 0.6 | C42Q2184M6F****+++ |
| 0.18K | 17.5 | 12.0 | 6.0 | 15.0 | 0.6 | C42Q2184K6F****+++ |
| 0.22M | 17.5 | 11.5 | 5.5 | 15.0 | 0.6 | C42Q2224M6G****+++ |
| 0.22 | 17.5 | 12.0 | 6.0 | 15.0 | 0.6 | C42Q2224-6F****+++ |
| 0.27 | 17.5 | 13.5 | 7.5 | 15.0 | 0.6 | C42Q2274-6F****+++ |
| 0.27 | 17.5 | 12.5 | 9.0 | 15.0 | 0.6 | C42Q2274-6G****+++ |
| 0.27 | 17.5 | 17.5 | 6.0 | 15.0 | 0.6 | C42Q2274-6H****+++ |
| 0.33K | 17.5 | 13.5 | 7.5 | 15.0 | 0.6 | C42Q2334K6F****+++ |
| 0.33M | 17.5 | 12.0 | 7.0 | 15.0 | 0.6 | C42Q2334M6G****+++ |
| 0.33K | 17.5 | 12.5 | 9.0 | 15.0 | 0.6 | C42Q2334K6G****+++ |
| 0.33K | 17.5 | 17.5 | 6.0 | 15.0 | 0.6 | C42Q2334K6H****+++ |
| 0.39 | 17.5 | 13.5 | 7.5 | 15.0 | 0.6 | C42Q2394-6F****+++ |
| 0.39 | 17.5 | 12.5 | 9.0 | 15.0 | 0.6 | C42Q2394-6G****+++ |
| 0.39 | 17.5 | 17.5 | 6.0 | 15.0 | 0.6 | C42Q2394-6H****+++ |
| 0.47M | 17.5 | 14.0 | 8.0 | 15.0 | 0.6 | C42Q2474M6F****+++ |
| 0.47K | 17.5 | 14.5 | 8.5 | 15.0 | 0.6 | C42Q2474K6F****+++ |
| 0.47M | 17.5 | 12.5 | 9.0 | 15.0 | 0.6 | C42Q2474M6G****+++ |
| 0.47M | 17.5 | 17.5 | 6.0 | 15.0 | 0.6 | C42Q2474M6H****+++ |
| 0.47K | 17.5 | 18.5 | 7.5 | 15.0 | 0.8 | C42Q2474K6H****+++ |

- 备注: 1. “-”表示容量偏差。 “-”=capacitance tolerance code, M= ±20%,K= ±10%
 2. “****”表示引线加工和包装代码(见table 1)。“****”=lead form and packing code (refer to table 1)
 3. “#”当额定电压为275Vac时,第4~5位是P2。“#”when the rated voltage is 275Vac,the digit 4~5 is P2.
 4. 不用于与电源串联的场合,与电源串联用请参见降压专用电容器P148。
 Not for use in series with the mains,the capacitors for series with the mains,please refer pag.148.

X-ON Electronics

Largest Supplier of Electrical and Electronic Components

Click to view similar products for [Film Capacitors](#) category:

Click to view products by [FARATRONIC](#) manufacturer:

Other Similar products are found below :

[F339X134748MIP2T0](#) [F450KG153J250ALH0J](#) [750-1018](#) [FKP1-1500160010P15](#) [FKP1R031007D00JYSD](#) [FKP1R031507E00JYSD](#)
[FKP1U024707E00KYSD](#) [82DC4100CK60J](#) [82EC1100DQ50K](#) [PFR5101J100J11L16.5TA18](#) [PME261JB5220KR19T0](#) [A451GK223M040A](#)
[A561ED221M450A](#) [QXJ2E474KTPT](#) [QXL2B333KTPT](#) [R49AN347000A1K](#) [EEC2G505HQA406](#) [B25668A6676A375](#) [B25673A4282E140](#)
[BFC233868148](#) [BFC2370GC222](#) [C3B2AD44400B20K](#) [C4ASWBU3220A3EK](#) [CB027C0473J--](#) [CB177I0184J--](#) [CB182K0184J--](#) [23PW210](#)
[950CQW5H-F](#) [SBDC3470AA10J](#) [SCD105K122A3-22](#) [2N3155](#) [A571EH331M450A](#) [FKP1-2202KV5P15](#) [FKS3-680040010P10](#)
[QXL2E473KTPT](#) [445450-1](#) [B25669A3996J375](#) [46KI322000M1M](#) [46KR415050M1K](#) [4BSNBX4100ZBFJ](#) [MKP383510063JKP2T0](#)
[MKPY2-.02230020P15](#) [MKT 1813-368-015](#) [4055292001](#) [46KN410000N1K](#) [EEC2E106HQA405](#) [EEC2G205HQA402](#) [EEC2G805HQA415](#)
[P409CP224M250AH470](#) [82EC2150DQ50K](#)