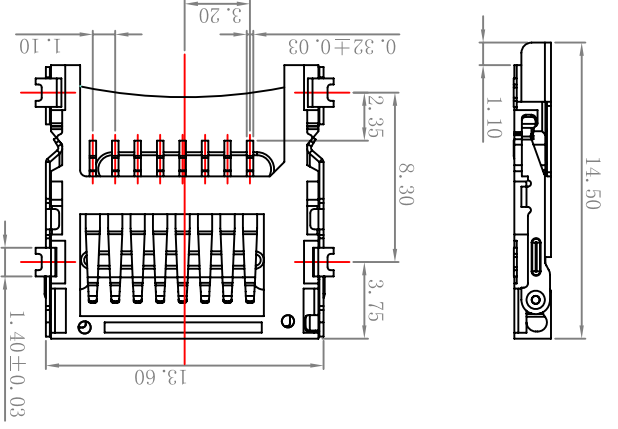
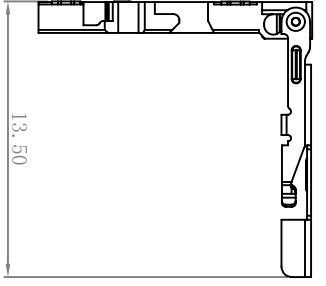


PIN NO.		PIN NO.	
P1N1	DAT2	P1N6	VSS
P1N2	CD/DAT3	P1N7	DAT0
P1N3	CMD	P1N8	DAT1
P1N4	VDD		
P1N5	CLK		

HYC39-TF08-180	1.8
HYC40-TF08-150	1.5
PART NO.	H=?



深圳市华宇创精密电子有限公司

SCALE:1:1	SIZE: A4	UNIT: mm [inch]	TOLERANCE: X.X ±0.30 X.XX ±0.25 X.XXX ±0.15
DRIVED BY: 陈一鸣	DATE: 2014-02-23	CHECKED BY: 马跃	DATE: 2014-02-23
APPROVED BY: 邱国美	DATE: 2014-02-23	SHEET NO. 1 OF 1	DRAW NO. HYC-TF16052815

No.	TITLE	MATERIAL	FINISH (OR COLOR)	QT'Y
1	HOUSING	LCP S475+30%GF, UL94 V-0	黑色	1
2	SHELL	SUS 304-1/2H	清洗除油 (不电镀)	1
3	TERMINAL	C5191R-EH	接触点镀金3μ, 焊脚镀锡80μ~120μ	1SET
4	SOLDER	C5191R-EH	锡锡 80μ~120μ	1SET

Bill Of Materials:

- SPECIFICATION**
- CURRENT RATING : 0.5 A. MAX.
 - VOLTAGE RATING: 5V.
 - DIELECTRIC WITHSTANDING VOLTAGE : 250V AC R.M.S. FOR 1 MINUTE.
 - INSULATION RESISTANCE : 500MΩ MIN. AT 5V DC.
 - CONTACT RESISTANCE : 100mΩ MAX.
 - OPERATING TEMPERATURE : -20° C TO +85° C.
 - DURABILITY: 5000 CYCLES.
- MATERIALS**
- HOUSING : THERMOPLASTIC LCP S475+30%GF, UL94 V-0.
 - TERMINAL : COPPER ALLOY, C5191R-EH, T=0.15mm.
 - PLATING : 3μ AU PLATED ON CONTACT AREA, 80μ~120μ NICKEL PLATED ON SOLDER TAILS, 50μ~80μ NICKEL PLATED OVERALL.
 - SHELL : SUS304-1/2H, T=0.20mm.
 - SOLDER : C5191R-EH, T=0.15mm.
 - PLATING : 80μ~120μ PLATED ON SOLDER TAILS, 50μ~80μ NICKEL PLATED OVERALL.

X-ON Electronics

Largest Supplier of Electrical and Electronic Components

Click to view similar products for [Standard Card Edge Connectors](#) category:

Click to view products by [HOAUC](#) manufacturer:

Other Similar products are found below :

[6565204-6](#) [PKC-156](#) [1437274-4](#) [147889-1](#) [1489165-4](#) [EBT156-12B1X](#) [EBT15622B2X](#) [EBT156-22R2W](#) [1-582587-1](#) [1-582589-1](#) [2-6437275-9](#) [284-0102-12100](#) [306022901000000](#) [307-012-502-202](#) [307-024-526-201](#) [307-056-520-300](#) [307-080-526-208](#) [1926088-2](#) [245-062-520-350](#) [287-0032-12101](#) [306-010-500-112](#) [306-028-525-102](#) [306-240-318](#) [307-036-502-202](#) [307-036-521-301](#) [307-072-526-202](#) [345-060-559-303](#) [368-004-520-201](#) [392-008-559-201](#) [534671-1](#) [5-530501-5](#) [341-240-317](#) [345-029-520-300](#) [345-030-500-301](#) [345-044-500-300](#) [345-220-058](#) [346-240-318](#) [357-030-526-201](#) [387-012-523-300](#) [395-044-520-300](#) [395-100-524-300](#) [50-12B-10](#) [50-6SN-5](#) [09-07-2032](#) [10035388-106LF](#) [10035388-802LF](#) [10115859-011LF](#) [10122859-009LF](#) [101269333204245CLF](#) [10127905-B04B24BLF](#)