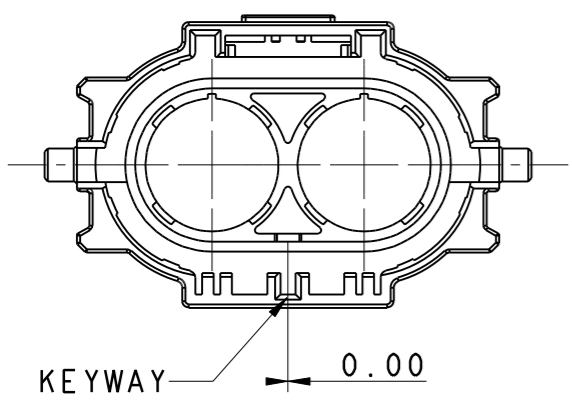
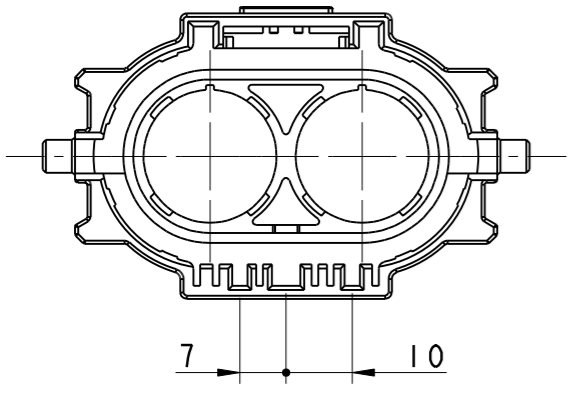
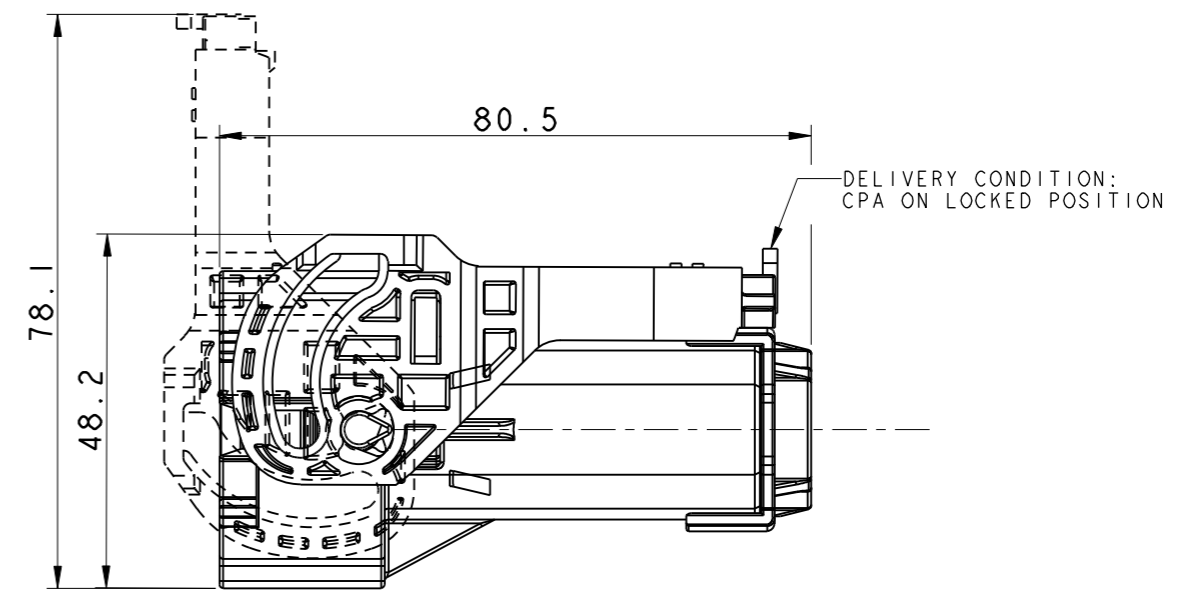
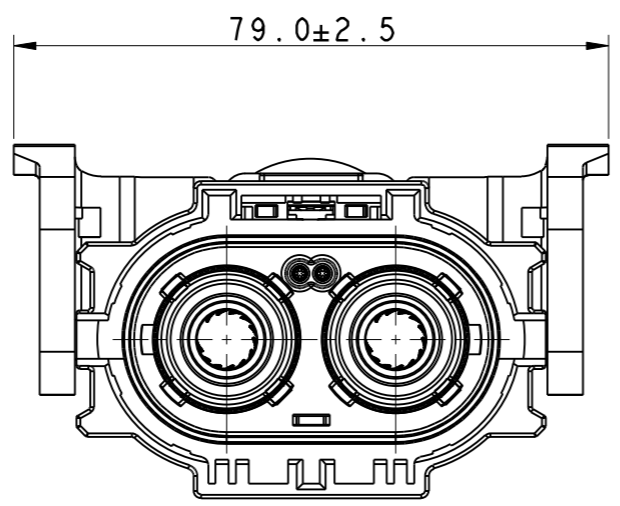


Amphenol PCDSZ
ORIGINAL
PDF Format
R&D

REV	ECN	DESCRIPTION	DATE	MODIFIED
1		PRE-RELEASE	2017.4.26	Robin Yuan
2		CHNAGE DESCRIPTION	29/07/16	RY
3		CHANGE STRUCTURES	09/01/17	Celine.xie
4		INCREASE TEST SPECIFICATION	23/10/17	Celine.xie
5		ADD 25MM2 SPEC	19/12/17	Celine.xie
6		CHANGE DIMENSIONING	02/27/18	Celine.xie



HVSL800062AXXX
CODING A



HVSL800062BXXX
CODING B

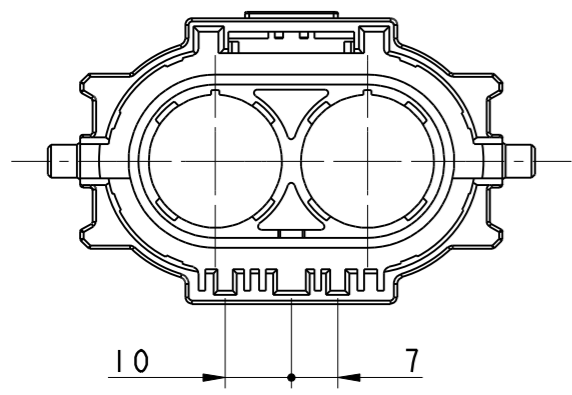
- NOTES:
- MATERIAL & FINISH:
PLASTIC BODY: THERMOPLASTICS UL 94V-0 ORANGE COLOR
POWER CONTACT: COPPER ALLOY SILVER PLATED
 - PART NUMBER DESCRIPTION:

HVSL 800 06 2 X X XX

- A: CODING A
- B: CODING B
- C: CODING C
- 0: WITHOUT HVIL
- 1: WITH HVIL
- 50: CROSS-SECTION 50mm²
WIRE OD=16.5 ± 0.4mm
- 35: CROSS-SECTION 35mm²
WIRE OD=14.2 ± 0.4mm
- 25: CROSS-SECTION 25mm²
WIRE OD=11.9 ± 0.4mm

3. TECHNICAL DATA TABLE

TECHNICAL DATA		REMARK
CURRENT RATE (25~50MM ² SHIELD CABLE)	25mm ² : 120A 35mm ² : 150A 50mm ² : 180A	★
UL RATING VOLTAGE (OVERVOLTAGE CATEGORY II POLLUTION DEGREE 2)	1500V DC	★
OPERATING TEMPERATURE	-40~125°C	
DIELECTRIC WITH STANDING VOLTAGE	3000V AC	★
INSULATION RESISTANCE	2000MΩ MIN. 25°C, NO CABLE	★
DURABILITY	50 CYCLES	◎
SHIELDING	YES	◎
WATERPROOF (MATED CONDITION)	IP 67, IP6K9K	★
PROTECTION LEVEL	IP2XB	★
AMBIENT TEMPERATURE	-40~70°C	



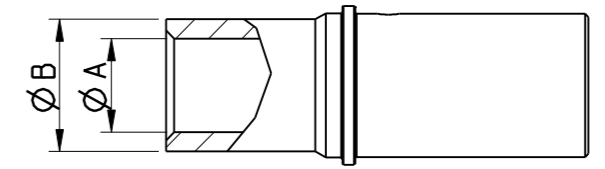
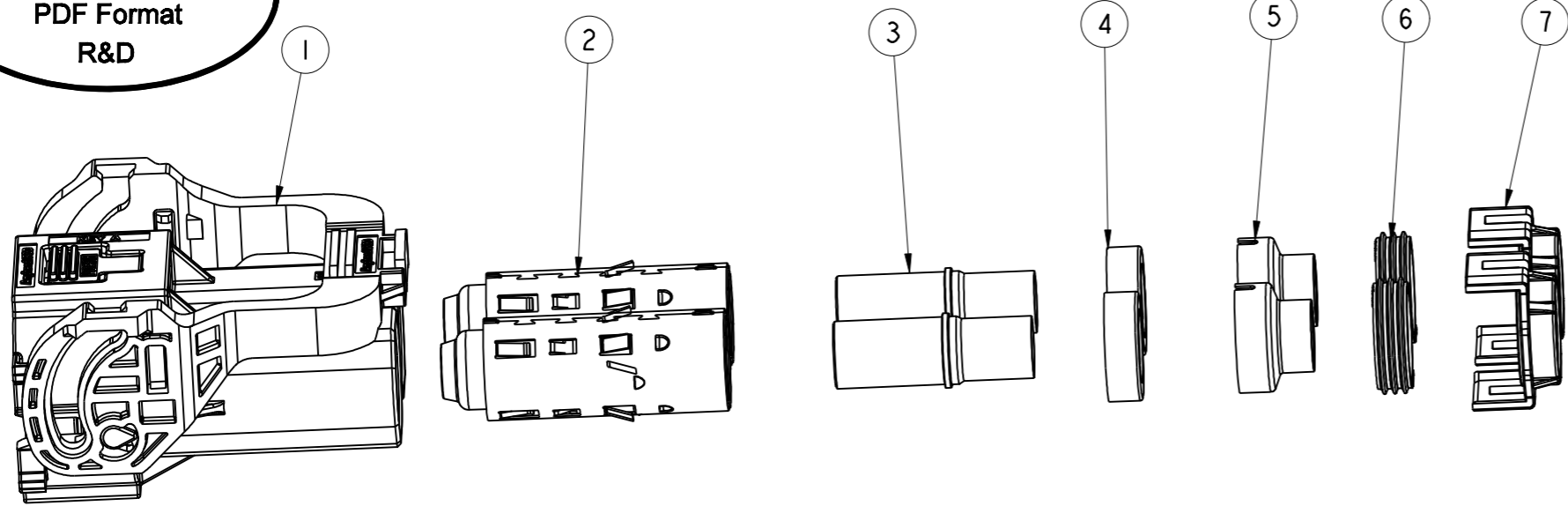
HVSL800062CXXX
CODING C

DIMENSIONS ANSI Y14.5M UNITS: MM Pro/E FILE	TOLERANCES .X ±0.5 .XX ±0.05 ANGLES ±0.5°	PROJECTION 	Amphenol Pcd Shenzhen ENGR Robin Yuan 2017.04.28 CHKD APPD			TITLE HVSL 800 06 2 X X XX PLUG ASSEMBLY		
			ORIGINAL NOT FOR CUSTOMER DISTRIBUTION	THIS DOCUMENT CONTAINS PROPRIETARY INFORMATION WHICH IS THE CONFIDENTIAL PROPERTY OF AMPHENOL PCD SHENZHEN			SIZE A3	DWG NO. C-HVSL800062XXXX
		CODE: 58982		SCALE: 1:1		SHEET 1 OF 2		

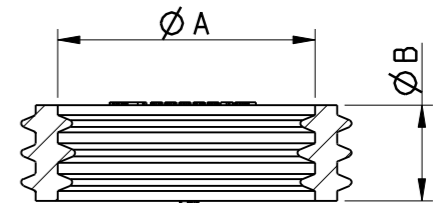
C-HVSL800062XXXX

C-HVSL800062XXXX

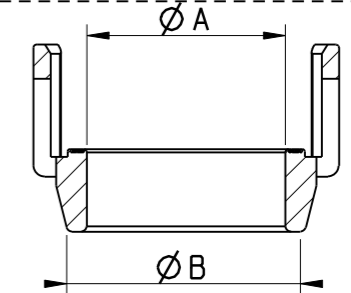
Amphenol PCDSZ
ORIGINAL
PDF Format
R&D



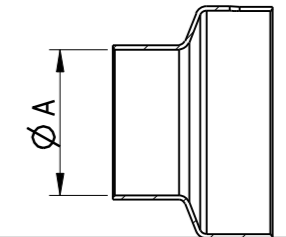
P/N	CABLE SIZE	ØA±0.1	ØB±0.2
C4200036391	50	10.30	14.0
C4200036392	35	8.5	12.0
C4200036393	25	7.2	9.5



P/N	CABLE SIZE	ØA±0.2	ØB±0.2
C4270036451	50	17.50	6.5
C4270036452	35	15.2	6.5
C4270036453	25	13.40	6.5



P/N	CABLE SIZE	ØA±0.2	ØB±0.3
C4220036831	50	18	21.5
C4220036832	35	15	18.5
C4220036833	25	13	16.5

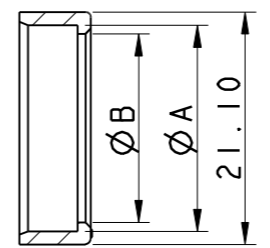


P/N	CABLE SIZE	ØA±0.2
C4310036371	50	17.5
C4310036372	35	15.0
C4310036373	25	13.2

4. ASSEMBLY AND DETAIL BOM LIST SHOW

ITEM	P/N	Q'ty	DESCRIPTION
7	C422003683X	2	END CAP
6	C427003645X	2	SEAL
5	C431003637X	2	OUT FERRULE
4	C422005823X	2	BAFFLE
3	C420003639X	2	SOCKRT CONTACT BODY
2	C431XXXXXX	2	SHIELDING
1	HVSL800062XI	1	MAIN BODY&HVIL

ITEM	P/N	Q'ty	DESCRIPTION
7	C422003683X	2	END CAP
6	C427003645X	2	SEAL
5	C431003637X	2	OUT FERRULE
4	C422005823X	2	BAFFLE
3	C420003639X	2	SOCKRT CONTACT BODY
2	C431XXXXXX	2	SHIELDING
1	HVSL800062X0	1	MAIN BODY&NO HVIL



P/N	CABLE SIZE	ØA±0.2	ØB±0.2
C4310036371	50	18.7	17.1
C4310036372	35	16.2	14.6
C4310036373	25	14.4	13.4

C-HVSL800062XXXX

C-HVSL800062XXXX

SIZE A3	DWG NO. C-HVSL800062XXXX	REV 6
CODE: 58982	SCALE: 1:1	SHEET 2 OF 2

X-ON Electronics

Largest Supplier of Electrical and Electronic Components

Click to view similar products for [DC Power Connectors](#) category:

Click to view products by [Amphenol](#) manufacturer:

Other Similar products are found below :

[1600206-1](#) [163-0301-EX](#) [163-0302](#) [163-0308-EX](#) [163-0310-EX](#) [163-1061-EX](#) [163-1100-EX](#) [163-4024](#) [163-4117-EX](#) [163-4118-EX](#) [163-5005-E](#) [163-7421](#) [163-MJ22-EX](#) [171-0721-EX](#) [171-0725-EX](#) [171-3118-EX](#) [171-3210-E](#) [171-3221-EX](#) [171-3222-EX](#) [171-A1326-EX](#) [173-23507-ST-EX](#) [173-5521TIP-EX](#) [173-6330TIP-EX](#) [KLDVX-SMT-02-ATR](#) [KLDX-0201-AHT-1](#) [KLDX-0202-AHT](#) [KLDX-SMT-0202-BP](#) [KLDX-SMT-0202-BPTR](#) [163-0179-EX](#) [163-0307-E](#) [163-0309-EX](#) [163-4007-EX](#) [163-4015-EX](#) [163-4025](#) [163-4119-E](#) [163-4303-E](#) [16PJ101-EX](#) [171-0702-EX](#) [171-0722-E](#) [171-0726-EX](#) [171-2122-EX](#) [171-3216-EX](#) [171-3218-EX](#) [171-3219-EX](#) [171-3220-EX](#) [171-7391](#) [173-3413-ST-EX](#) [173-4017-ST-EX](#) [RAPCBRK](#) [K596](#)