

## TLG Series

• 105°C 3,000Hrs assured.

- Non-solvent proof
- High Ripple, Low Temp.
- For SMPS, Inverter.
- RoHS compliant.
- Halogen-free capacitors are also available.



## SPECIFICATIONS

Item	Characteristics		
Rated Voltage Range	160 ~ 500 V <sub>dc</sub>		
Operating Temperature Range	-40 ~ +105°C		
Capacitance Tolerance	±20%(M) (at 20°C, 120Hz)		
Leakage Current	$I = 3\sqrt{CV} (\mu A)$ Where, I: Leakage Current(μA), C: Nominal capacitance(μF), V: Rated voltage(V <sub>dc</sub> ) (at 20°C, 5minutes)		
※ Dissipation Factor(Tanδ)	Rated voltage(V <sub>dc</sub> )	160~400	450~500
	Tanδ(Max.)	0.15	0.20
	(at 20°C, 120Hz)		
Temperature Characteristics (Max. Impedance ratio)	Rated voltage(V <sub>dc</sub> )	160~400	450~500
	Z(-25°C)/Z(20°C)	4	8
	Z(-40°C)/Z(20°C)	8	16
	(at 120Hz)		
Load Life	The following specifications shall be satisfied when the capacitors are restored to 20°C after the rated voltage with the rated ripple current is applied (the peak voltage shall not exceed the rated voltage) for 3,000 hours at 105°C  Capacitance change ≤ ±20% of the initial value Tanδ ≤ 200% of the initial specified value Leakage current ≤ The initial specified value		
Shelf Life	The following specifications shall be satisfied when the capacitors are restored to 20°C after the exposing them at 105°C for 1,000hours without voltage applied. The rated voltage shall be applied to the capacitors for a minimum of 30 minutes, at least 24 hours and not more than 48 hours before the measurements.  Capacitance change ≤ ±20% of the initial value Tanδ ≤ 200% of the initial specified value Leakage current ≤ The initial specified value		
Others	Satisfied characteristics KS C IEC 60384-4		

※ For capacitors with CV products >100,000 higher Tanδ value may apply.  
 When the capacitance exceeds 1,000μF, 0.01 shall be added every 1,000μF increase.

## RATED RIPPLE CURRENT

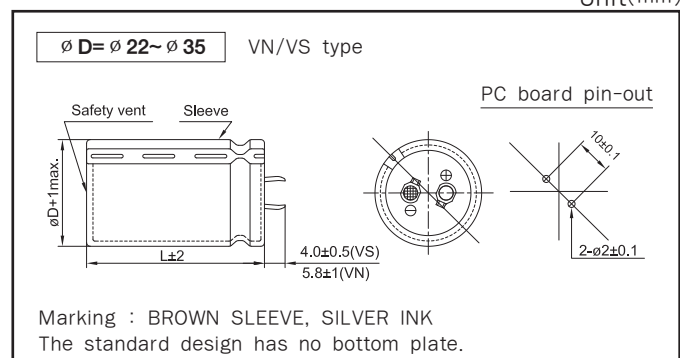
When capacitor are operated in any other condition at 120Hz, the maximum ripple current must be multiplied by the figure shown in the table.

Frequency multiplying factor

V <sub>dc</sub>	Freq.(Hz)	60	120	300	1k	10k~
160~250		0.81	1.00	1.17	1.32	1.45
350~500		0.77	1.00	1.16	1.30	1.41

## DIMENSIONS OF TLG Series

Unit(mm)



## RATINGS OF TLG Series

VDC	Capacitance (μF)	∅D×L(mm)	Rated Ripple Current (Arms/105°C, 120Hz)	VDC	Capacitance (μF)	∅D×L(mm)	Rated Ripple Current (Arms/105°C, 120Hz)
160	330	22 × 25	1.20	350	100	22 × 25	0.73
	470	22 × 30	1.47		150	22 × 30	0.91
		25.4 × 25	1.46			25.4 × 25	0.91
	560	22 × 35	1.66		180	22 × 35	1.03
	680	22 × 40	1.87		220	22 × 40	1.16
		25.4 × 30	1.82			25.4 × 30	1.14
		30 × 25	1.85			30 × 25	1.16
	820	22 × 45	2.11		270	22 × 50	1.36
		25.4 × 35	2.06			25.4 × 40	1.33
	1,000	22 × 50	2.31			30 × 30	1.33
		25.4 × 40	2.28			35 × 25	1.34
		30 × 30	2.27		330	25.4 × 45	1.52
	1,200	35 × 25	2.29		390	25.4 × 50	1.69
		25.4 × 45	2.57			30 × 35	1.65
	1,500	30 × 35	2.57		470	35 × 30	1.68
		30 × 40	2.96			30 × 40	1.87
1,800	35 × 30	2.91	560	35 × 35	1.91		
	30 × 45	3.34		30 × 50	2.16		
2,200	35 × 35	3.30	680	35 × 40	2.15		
	35 × 45	3.78		35 × 45	2.44		
2,700	35 × 50	4.07	820	35 × 50	2.76		
200	270	22 × 25	1.15	400	100	22 × 25	0.73
	390	22 × 30	1.43		120	22 × 30	0.82
		25.4 × 25	1.42			25.4 × 25	0.81
	470	22 × 35	1.60		150	22 × 35	0.94
	560	22 × 40	1.80		180	22 × 40	1.05
		25.4 × 30	1.75			25.4 × 30	1.03
	680	30 × 25	1.80		220	30 × 25	1.05
		22 × 45	2.04			22 × 45	1.20
	820	25.4 × 35	1.99		270	25.4 × 35	1.17
		22 × 50	2.17			22 × 50	1.36
	1,000	25.4 × 40	2.26		330	25.4 × 40	1.33
		30 × 30	2.26			30 × 30	1.33
		35 × 25	2.27			35 × 25	1.34
	1,200	25.4 × 50	2.48		390	25.4 × 45	1.52
		30 × 35	2.49			30 × 35	1.52
	1,500	30 × 40	2.81		470	25.4 × 50	1.69
35 × 30		2.77	30 × 40	1.70			
1,800	30 × 50	3.23	560	35 × 30	1.68		
	35 × 40	3.32		30 × 45	1.93		
2,200	35 × 45	3.75	680	35 × 35	1.91		
250	180	22 × 25		0.97	820	30 × 50	2.16
	270	22 × 30	1.23	35 × 40		2.15	
		25.4 × 25	1.22	680	35 × 45	2.44	
	330	22 × 35	1.39	820	35 × 50	2.76	
	390	22 × 40	1.55	450	68	22 × 25	0.57
		25.4 × 30	1.51		100	22 × 30	0.71
	470	30 × 25	1.54			120	25.4 × 25
		22 × 45	1.75		22 × 35		0.80
	560	25.4 × 35	1.71		150	22 × 40	0.92
		22 × 50	1.96			25.4 × 30	0.90
		25.4 × 40	1.92		30 × 25	0.92	
	680	30 × 30	1.91		180	22 × 45	1.04
		35 × 25	1.93			25.4 × 35	1.01
		25.4 × 50	2.24		220	25.4 × 40	1.15
	30 × 35	2.18	30 × 30			1.15	
	820	35 × 30	2.22		270	35 × 25	1.16
30 × 40		2.47	25.4 × 50			1.35	
1,000	35 × 35	2.52	330		30 × 40	1.36	
	30 × 50	2.89			35 × 30	1.34	
1,200	35 × 40	2.87	390		30 × 45	1.55	
	35 × 45	3.25		35 × 35	1.53		
1,500	35 × 50	3.73	30 × 50	1.73			
				35 × 40	1.72		

RATINGS OF TLG Series

VDC	Capacitance (μF)	∅D×L(mm)	Rated Ripple Current (Arms/105°C, 120Hz)
450	470	35 × 45	1.95
	560	35 × 50	2.18
500	47	22 × 25	0.43
		22 × 30	0.52
	56	25.4 × 25	0.50
		22 × 35	0.60
	68	22 × 40	0.65
		25.4 × 30	0.67
		30 × 25	0.72
	100	22 × 45	0.74
		25.4 × 35	0.77
	120	22 × 50	0.85
		25.4 × 40	0.85
		30 × 30	0.86
		35 × 25	0.88
	150	25.4 × 45	0.98
		30 × 35	0.97
	180	25.4 × 50	1.12
		30 × 40	1.13
		35 × 30	1.15
	220	30 × 45	1.22
		35 × 35	1.24
270	30 × 50	1.34	
	35 × 40	1.37	
330	35 × 45	1.62	
390	35 × 50	1.84	

## X-ON Electronics

Largest Supplier of Electrical and Electronic Components

*Click to view similar products for [Aluminium Electrolytic Capacitors - Radial Leaded](#) category:*

*Click to view products by [SamYoung](#) manufacturer:*

Other Similar products are found below :

[NRELS102M35V16X16C.140LLF](#) [ESRG160ETC100MD07D](#) [227RZS050M](#) [335CKR250M](#) [476CKH100MSA](#) [477CKR100M](#)  
[107CKR010M](#) [107CKH063MSA](#) [RJH-25V222MI9#](#) [RJH-35V221MG5#](#) [B43827A1106M8](#) [RJH-50V221MH6#](#) [EKYA500ELL470MF11D](#)  
[B41022A5686M6](#) [ESRG250ELL101MH09D](#) [EKMA160EC3101MF07D](#) [RJB-10V471MG3#](#) [ESMG160ETD221MF11D](#)  
[EKZH160ETD152MJ20S](#) [RJH-35V122MJ6#](#) [EGXF630ELL621ML20S](#) [RBD-25V100KE3#N](#) [EKMA350ELL100ME07D](#)  
[ESMG160ETD101ME11D](#) [ELXY100ETD102MJ20S](#) [EGXF500ELL561ML15S](#) [EKMG350ETD471MJ16S](#) [35YXA330MEFC10X12.5](#)  
[RXW471M1ESA-0815](#) [ELXZ630ELL221MJ25S](#) [ERR1HM1R0D11OT](#) [LPE681M30060FVA](#) [LPL471M22030FVA](#) [HFE221M25030FVA](#)  
[LKMD1401H221MF](#) [B41888G6108M000](#) [EKMA160ETD470MF07D](#) [UHW1J102MHD6](#) [EKMG500ETD221MJC5S](#) [LKMK2502W101MF](#)  
[LKMD1401H181MF](#) [LKMI2502G820MF](#) [LKMJ2001J122MF](#) [LKML2501C472MF](#) [LKMJ4002C681MF](#) [450MXH330MEFCSN25X45](#)  
[450MXK330MA2RFC22X50](#) [63ZLH560MEFCG412.5X30](#) [ELH2DM331O25KT](#) [ELH2DM471P30KT](#)