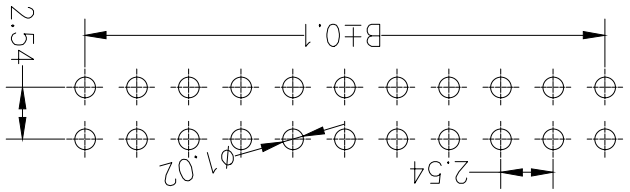


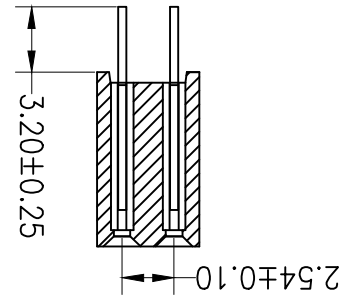
Recommended P.C.B Layout(Top Side)
(PCB BOARD TOLERANCE±0.05)



Ordering Information

26 85 Y-2 XX X W XX S N X 01

- 85=H8.5mm Plastic high
- Per Row No.of Pins
- Option 01~40P
- A=Br
- W=With Post
- Post
- Contact Plating
- G1:1U" Gold
- G0:0.8U" Gold
- Material
- Insulator
- Insulator
- Material
- B=PA66
- C=PA6T
- D=PA46
- E=PA9T
- F=LCP
- G5:5U" Gold
- G6:10U" Gold
- G7:15U" Gold
- S0:Gold Flash/Tin
- SN:tin
- Packing code stream
- 0=PE Bag
- A=Troy
- M=Reel+Mylor
- R=Reel+Cap
- P=Tube+Cap
- G2:1.5U" Gold
- G3:2U" Gold
- G4:3U" Gold
- G5:5U" Gold
- G6:10U" Gold
- G7:15U" Gold
- S0:Gold Flash/Tin



SPECIFICATIONS

Rated Current:3.0AMP
Contact Resistance:20mΩ Max
Withstand Voltage:1000V AC/DC
Insulation Resistance:1000MΩ Min
Operation Temperature:-40°C to +105°C

Contact Material:Brass
Contact Plating:Au or Sn Over Ni
Insulator Material:Polyester(UL94V-0)

Standard: PA6T
Max.Processing Temp: 230°C for 30-60 seconds
(260°C for 10 seconds)

Dimensions List

Dimensions	A	B	Contacts		
2#1	2.94	0	2#21	53.74	50.80
2#2	5.48	2.54	2#22	56.28	53.34
2#3	8.02	5.08	2#23	58.82	55.88
2#4	10.56	7.62	2#24	61.36	58.42
2#5	13.10	10.16	2#25	63.90	60.96
2#6	15.64	12.70	2#26	66.44	63.50
2#7	18.18	15.24	2#27	68.98	66.04
2#8	20.72	17.78	2#28	71.52	68.58
2#9	23.26	20.32	2#29	74.06	71.12
2#10	25.80	22.86	2#30	76.60	73.66
2#11	28.34	25.40	2#31	79.14	76.20
2#12	30.88	27.94	2#32	81.68	78.74
2#13	33.42	30.48	2#33	84.22	81.28
2#14	35.96	33.02	2#34	86.76	83.82
2#15	38.50	35.56	2#35	89.30	86.36
2#16	41.04	38.10	2#36	91.84	88.90
2#17	43.58	40.64	2#37	94.38	91.44
2#18	46.12	43.18	2#38	96.92	93.98
2#19	48.66	45.72	2#39	99.46	96.52
2#20	51.20	48.26	2#40	102.00	99.06

深圳市华宇创精密电子有限公司

SCALE:1:1 SIZE: A4		UNIT: mm [inch]	
X: ±2 X.X' ±0.5'		X.XXX ±0.15	
X.X' ±0.30		X.XXX ±0.25	
TOLERANCE:		X.X' ±0.30	
DRAWN BY: 陈一鸣	CHECKED BY: 马跃	DATE: 2014-02-23	DATE: 2014-02-23
PART NAME: 2.54X8.5FH 2XNPIN 180° Y型		DRAW NO: HYC-1812011109	SHEET NO. 1 OF 1

X-ON Electronics

Largest Supplier of Electrical and Electronic Components

Click to view similar products for [Headers & Wire Housings](#) category:

Click to view products by [HOAUC](#) manufacturer:

Other Similar products are found below :

[95000-104TRLF](#) [10135584-644402LF](#) [DF62W-EP2022PCA](#) [95000-106TRLF](#) [DF62W-2022SCA](#) [DF62W-EP2022PC](#) [2203348](#) [DF62W-2022SC](#) [1084018](#) [1029039](#) [1084017](#) [802-10-012-10-002000](#) [1112640](#) [1112639](#) [891-007-9SS-BST1T](#) [000-34000](#) [0008550134](#) [0009482033](#) [0009507031](#) [57102-F02-18ULF](#) [57102-S06-03LF](#) [57202-S52-04LF](#) [PCN6-15S-2.5E](#) [0039019024](#) [58102-G61-06LF](#) [582553-1](#) [0009485154](#) [0009508121](#) [0022285053](#) [0050291907](#) [018731A](#) [LY20-4P-DT1-P1E-BR](#) [02.125.8002.8](#) [60101931](#) [60598-1 \(Cut Strip\)](#) [M1625-3R/100](#) [61062-3](#) [61082-181009](#) [CSU011177004](#) [636-1427](#) [638009-1](#) [641938-9](#) [641991-4](#) [644168-1](#) [644827-2](#) [647662-1](#) [65039-019ELF](#) [65692-001LF](#) [65781-018](#) [65781-047](#)