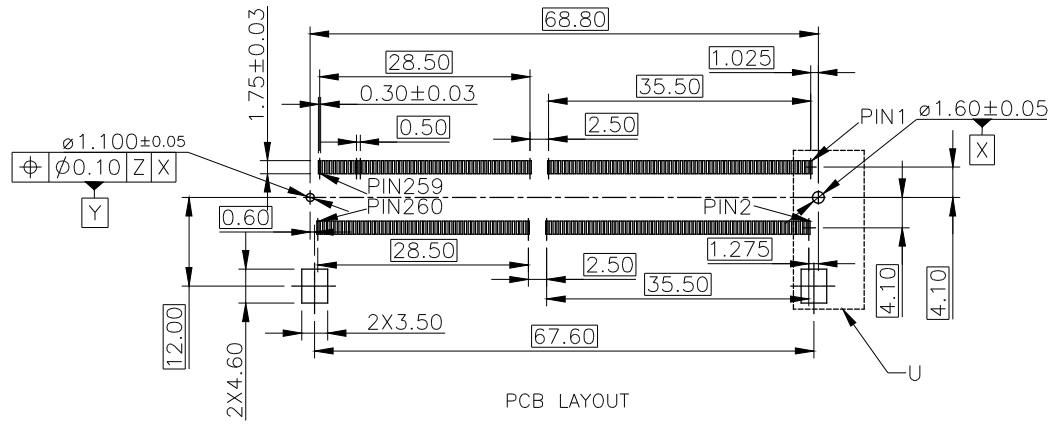
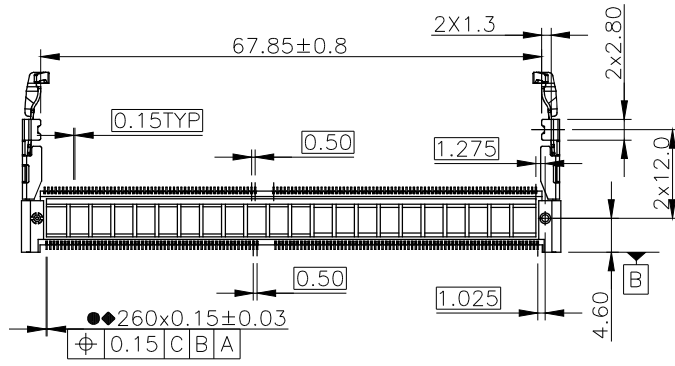
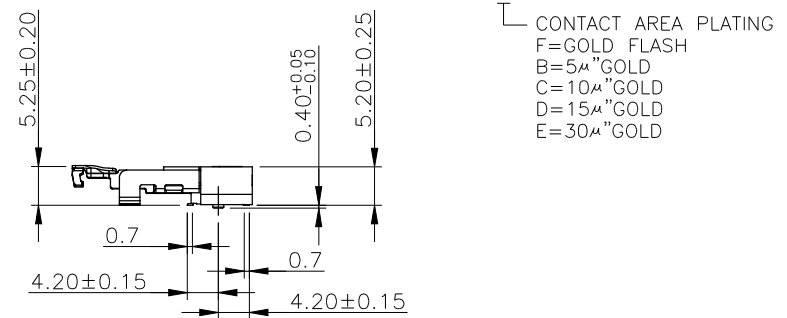
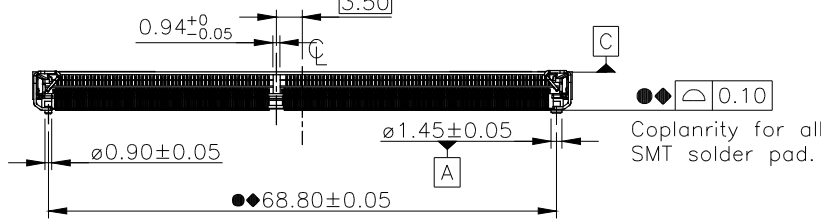
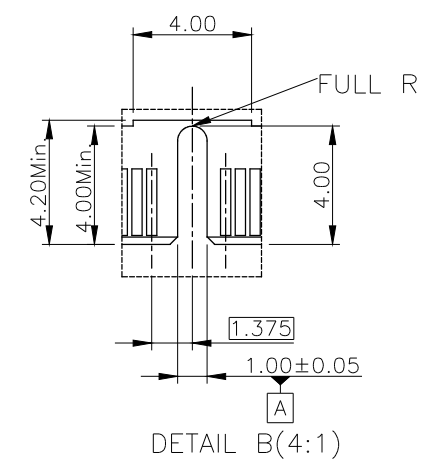
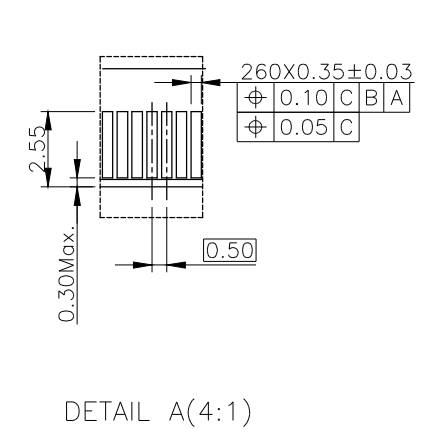
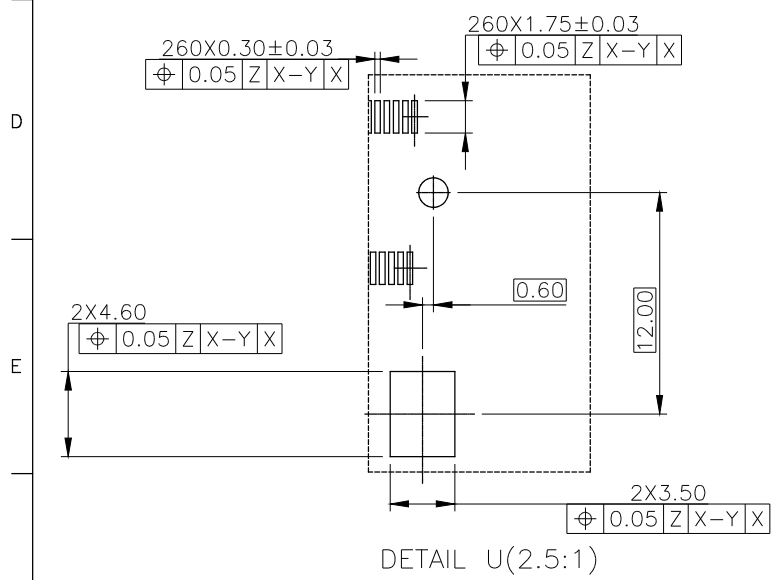
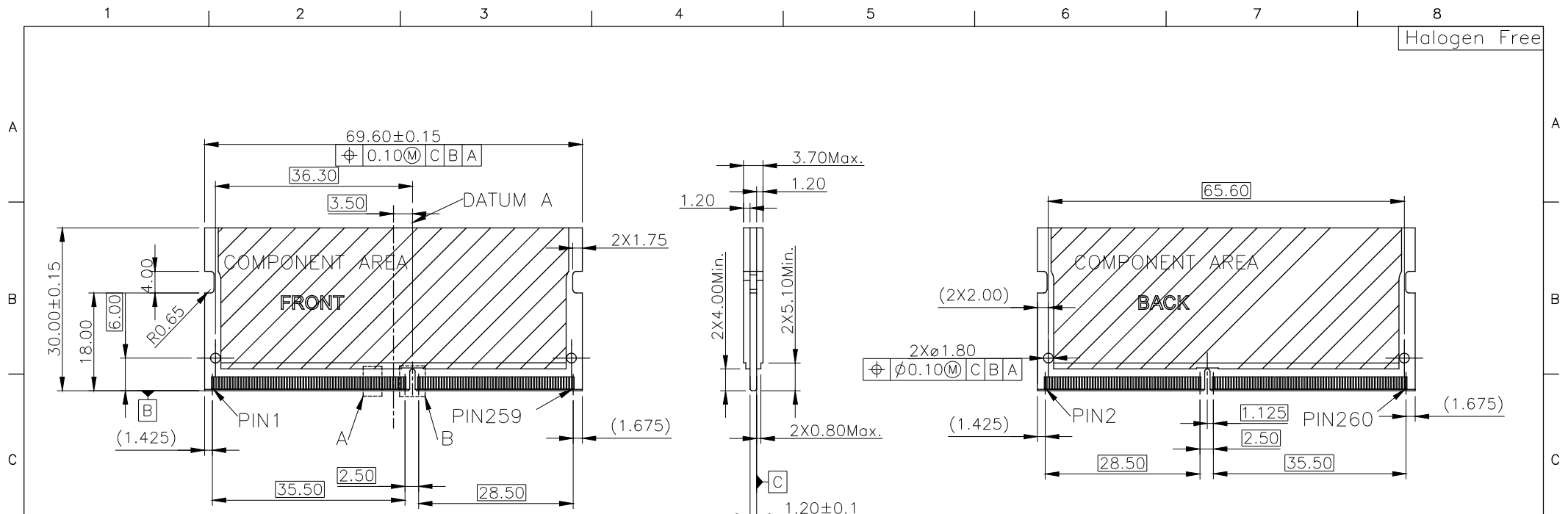


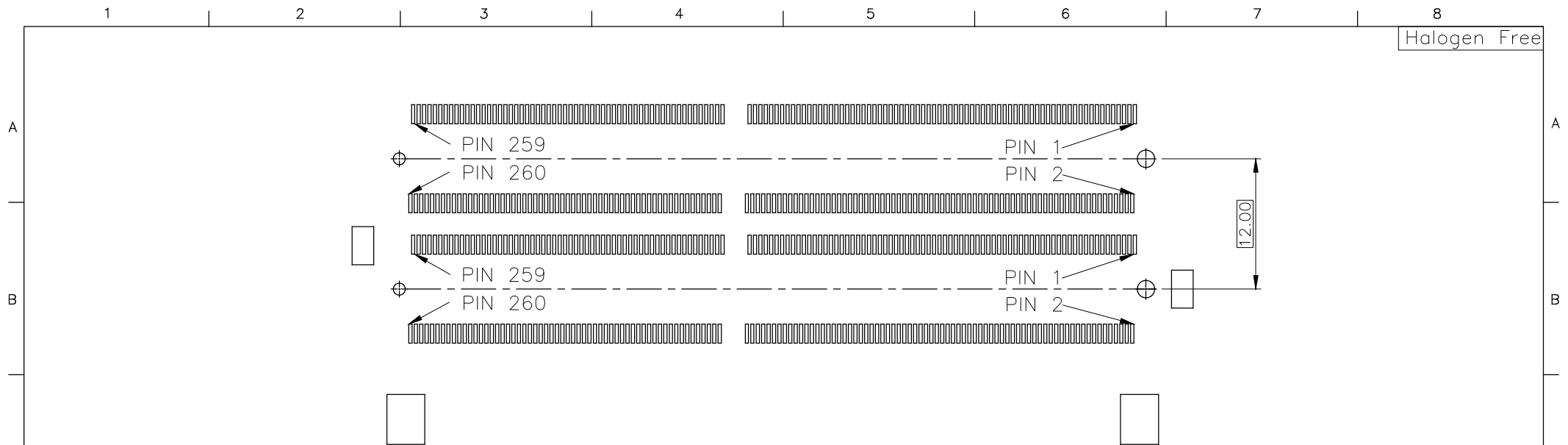
- NOTES:
1. HSF:HSF CONCRRAFT LEVEL1
 2. MATERIAL:
HOUSING :LCP;COLOR:BLACK,UL94 V-0
TERMINAL: PHOSPHOR BRONZE
LATCH:STAINLESS STEEL
 - 3.FINISH:
TERMINAL:
NICKEL UNDERPLATING ALL OVER BASE MATERIAL
CONTACT AREA : GOLD PLATING OVER UNDERPLATE
THICKNESS REFER TO PART NO. DESCRIPTION
SOLDER AREA : GOLD FLASH PLATING OVER UNDERPLATE
LATCH:MATTE TIN PLATING OVER NICKEL.
 4. INSPECTION SYMBOL:
● : MANUFACTURER INSPECTION
◆ : Q.C INSPECTION
 - 5.PART NO. DESCRIPTION:1781A1B□52A



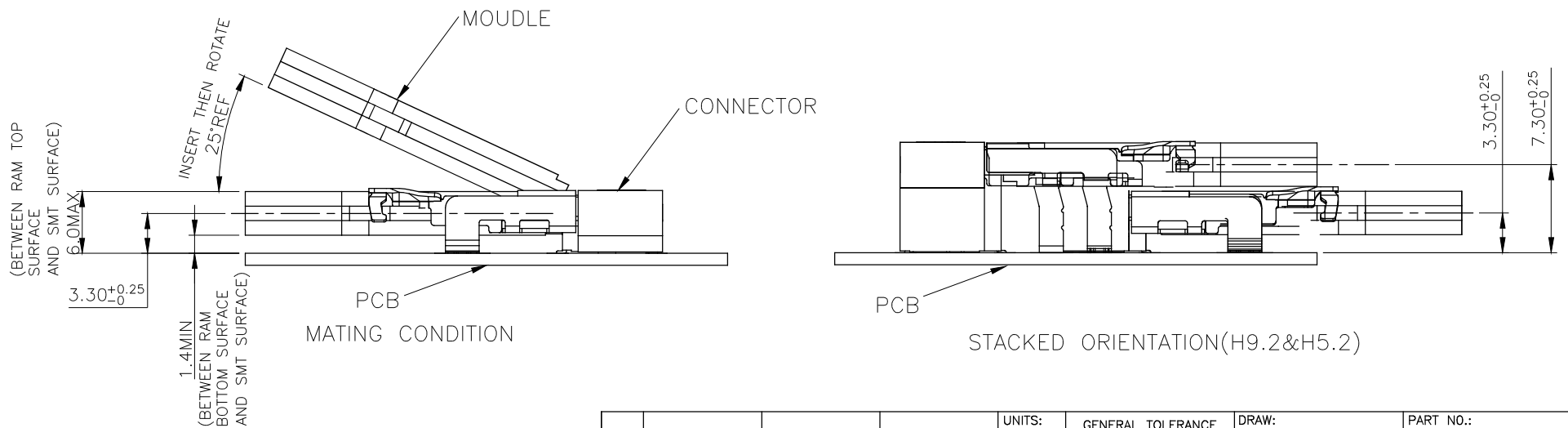
				UNITS: mm	GENERAL TOLERANCE		DRAW:	PART NO.:
				DATE: 7/30/2015	X. ±0.30 .X ±0.20 .XX ±0.10 .XXX±0.05	X.* ±2.00* .X* ±1.00* .XX* ±0.50*	CHECKED:	1781A1B□52A
				SCALE: 1:1			APPROVE:	TITLE: DDR4 STANDARD H5.2
				SHEET: 1/3	MATERIAL: SEE NOTES			DRAWING NO: 1781A1B□52A
A	E150352A	Nancy	7/30/2015	REV. A	FINISH: SEE NOTES			
REV.	ECO NO.	DRAW.	DATE					



				UNITS: mm	GENERAL TOLERANCE		DRAW:	PART NO.:
				DATE: 7/30/2015	X. ±0.30 .X ±0.20 .XX ±0.10 .XXX±0.05	X.* ±2.00* .X.* ±1.00* .XX.* ±0.50*	CHECKED:	1781A1B□52A
				SCALE: 1:1			APPROVE:	TITLE: DDR4 STANDARD H5.2
				SHEET: 2/3	MATERIAL: SEE NOTES			DRAWING NO: 1781A1B□52A
A	E150352A	Nancy	7/30/2015	REV. A	FINISH: SEE NOTES			
REV.	ECO NO.	DRAW.	DATE					



PCB LAYOUT-STACKED STANDARD ORIENTATION



				UNITS: mm	GENERAL TOLERANCE		DRAW:	PART NO.:
				DATE: 7/30/2015	.X ±0.30 .X' ±2.00"	.X ±0.20 .X' ±1.00"	CHECKED:	1781A1B052A
				SCALE: 2:1	.XX ±0.10 .XXX±0.05	.XX' ±0.50"	APPROVE:	TITLE: DDR4 STANDARD H5.2
A	E150352A	Nancy	7/30/2015	SHEET: 3/3	MATERIAL: SEE NOTES		DRAWING NO: 1781A1B052A	
REV.	ECO NO.	DRAW.	DATE	REV. A	FINISH: SEE NOTES			



X-ON Electronics

Largest Supplier of Electrical and Electronic Components

Click to view similar products for [Standard Card Edge Connectors](#) category:

Click to view products by [CONCRAFT](#) manufacturer:

Other Similar products are found below :

[6565204-6](#) [PKC-156](#) [1437274-4](#) [147889-1](#) [1489165-4](#) [EBT156-12B1X](#) [EBT15622B2X](#) [EBT156-22R2W](#) [1-582587-1](#) [1-582589-1](#) [2-6437275-9](#) [284-0102-12100](#) [306022901000000](#) [307-012-502-202](#) [307-024-526-201](#) [307-056-520-300](#) [307-080-526-208](#) [1926088-2](#) [245-062-520-350](#) [287-0032-12101](#) [306-010-500-112](#) [306-028-525-102](#) [306-240-318](#) [307-036-502-202](#) [307-036-521-301](#) [307-072-526-202](#) [345-060-559-303](#) [368-004-520-201](#) [392-008-559-201](#) [534671-1](#) [5-530501-5](#) [341-240-317](#) [345-029-520-300](#) [345-030-500-301](#) [345-044-500-300](#) [345-220-058](#) [346-240-318](#) [357-030-526-201](#) [387-012-523-300](#) [395-044-520-300](#) [395-100-524-300](#) [50-12B-10](#) [50-6SN-5](#) [09-07-2032](#) [10035388-106LF](#) [10035388-802LF](#) [10115859-011LF](#) [10122859-009LF](#) [101269333204245CLF](#) [10127905-B04B24BLF](#)