

*Parameters Subject to Change Without Notice*

## DESCRIPTION

The JW<sup>®</sup>5022S is a current mode monolithic buck voltage converter. Operating with an input range of 4.5-24V, the JW5022S delivers 2A of continuous output current with two integrated N-Channel MOSFETs. At light loads, regulators operate in low frequency to maintain high efficiency and low output ripple.

The JW5022S guarantees robustness with over current protection, thermal protection, start-up current run-away protection, and input under voltage lockout.

The JW5022S is available in a 8-pin SOP8 package, which provides a compact solution with minimal external components.

Company's Logo is Protected, "JW" and "JOULWATT" are Registered Trademarks of JoulWatt technology Inc.

## FEATURES

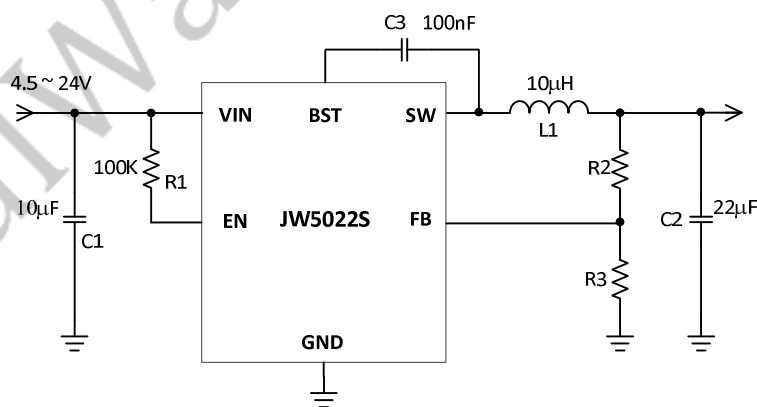
- 4.5V to 24V operating input range
- 2A output current
- Up to 94% efficiency
- High efficiency (85%>) at light load
- Fixed 500kHz Switching frequency
- Input under voltage lockout
- Available in SOP8 package
- Start-up current run-away protection
- Over current protection and Hiccup
- Thermal protection

## APPLICATIONS

- Distributed Power Systems
- Networking Systems
- FPGA, DSP, ASIC Power Supplies
- Green Electronics/ Appliances
- Notebook Computers

## TYPICAL APPLICATION

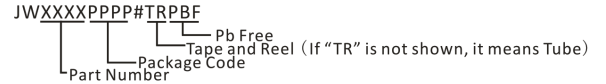
**2A Buck Voltage Converter**



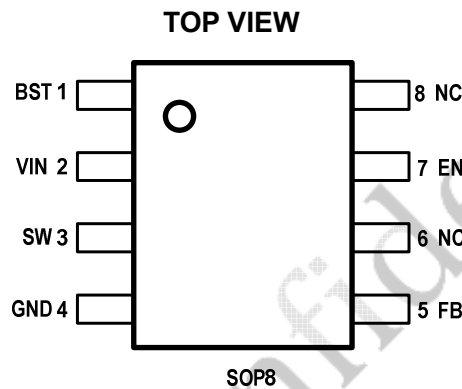
**ORDER INFORMATION**

LEAD FREE FINISH	TAPE AND REEL	PACKAGE	TOP MARKING
JW5022SSOPB#PBF	JW5022SSOPB#TRPBF	SOP8	JW5022S

Note:



**PIN CONFIGURATION**



**ABSOLUTE MAXIMUM RATING<sup>1)</sup>**

VIN, EN, SW Pin	-0.3V to 24V
BST Pin	SW-0.3V to SW+5V
All other Pins	-0.3V to 6V
Junction Temperature <sup>2) 3)</sup>	150°C
Lead Temperature	260°C
Storage Temperature	-65°C to +150°C

**RECOMMENDED OPERATING CONDITIONS**

Input Voltage VIN	4.5V to 24V
Output Voltage Vout	0.6V to 22V
Operating Junction Temperature(T <sub>J</sub> )	-40°C to 125°C

**THERMAL PERFORMANCE<sup>4)</sup>**

	$\theta_{JA}$	$\theta_{Jc}$
SOP8	96	45°C/W

**Note:**

- Exceeding these ratings may damage the device.
- The JW5022S guarantees robust performance from -40°C to 150°C junction temperature. The junction temperature range specification is assured by design, characterization and correlation with statistical process controls.
- The JW5022S includes thermal protection that is intended to protect the device in overload conditions. Thermal protection is active when junction temperature exceeds the maximum operating junction temperature. Continuous operation over the specified absolute maximum operating junction temperature may damage the device.
- Measured on JESD51-7, 4-layer PCB.

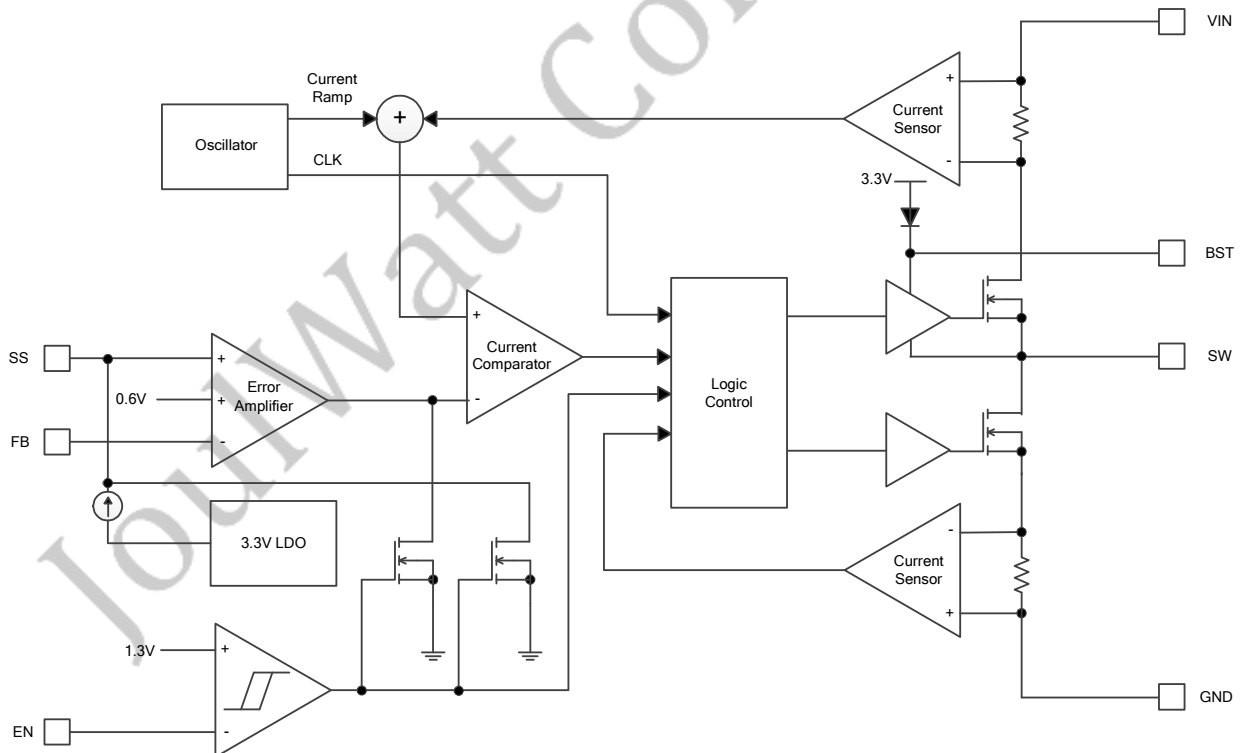
## ELECTRICAL CHARACTERISTICS

<i>V<sub>IN</sub>=12V, T<sub>A</sub>=25 °C, unless otherwise stated.</i>						
Item	Symbol	Condition	Min.	Typ.	Max.	Units
V <sub>IN</sub> Undervoltage Lockout Threshold	V <sub>IN_MIN</sub>	V <sub>IN</sub> falling		3.8		V
V <sub>IN</sub> Undervoltage Lockout Hysteresis	V <sub>IN_MIN_HYST</sub>	V <sub>IN</sub> rising		300		mV
Shutdown Supply Current	I <sub>SD</sub>	V <sub>EN</sub> =0V			1	μA
Supply Current	I <sub>Q</sub>	V <sub>EN</sub> =5V, V <sub>FB</sub> =2V		50		μA
Feedback Voltage	V <sub>FB</sub>		0.895	0.923	0.951	V
Top Switch Resistance	R <sub>DS(ON)T</sub>			170		mΩ
Bottom Switch Resistance	R <sub>DS(ON)B</sub>			110		mΩ
Top Switch Leakage Current	I <sub>LEAK_TOP</sub>	V <sub>IN</sub> =24V, V <sub>EN</sub> =0V, V <sub>SW</sub> =0V			0.5	μA
Bottom Switch Leakage Current	I <sub>LEAK_BOT</sub>	V <sub>IN</sub> =24V, V <sub>EN</sub> =0V, V <sub>SW</sub> =0V			0.5	μA
Top Switch Current Limit	I <sub>LIM_TOP</sub>	Minimum Duty Cycle		3.8		A
Switch Frequency	F <sub>SW</sub>			500		kHz
Minimum On Time	T <sub>ON_MIN</sub>			100		ns
Minimum Off Time	T <sub>OFF_MIN</sub>	V <sub>FB</sub> =0.7V		100		ns
EN shut down threshold voltage	V <sub>EN_TH</sub>	V <sub>EN</sub> falling, FB=0V		1.2		V
EN shut down hysteresis	V <sub>EN_HYST</sub>	V <sub>EN</sub> rising, FB=0V		100		mV
Thermal Shutdown	T <sub>TSD</sub>			145		°C
Temperature Hysteresis	T <sub>HYS</sub>			19		°C

**PIN DESCRIPTION**

PIN	NAME	Description
1	BST	Bootstrap pin for top switch. A 0.1uF or larger capacitor should be connected between this pin and the SW pin to supply current to the top switch and top switch driver.
2	IN	Input voltage pin. VIN supplies power to the IC. Connect a 4.6V to 24V supply to VIN and bypass VIN to GND with a suitably large capacitor to eliminate noise on the input to the IC.
3	SW	SW is the switching node that supplies power to the output. Connect the output LC filter from SW to the output load.
4	GND	Power ground pin.
5	FB	Output feedback pin. FB senses the output voltage and is regulated by the control loop to 0.923V. Connect a resistive divider at FB.
6	NC	Not Connected.
7	EN	Drive EN pin high to turn on the regulator and low to turn off the regulator.
8	NC	Not Connected.

**BLOCK DIAGRAM**

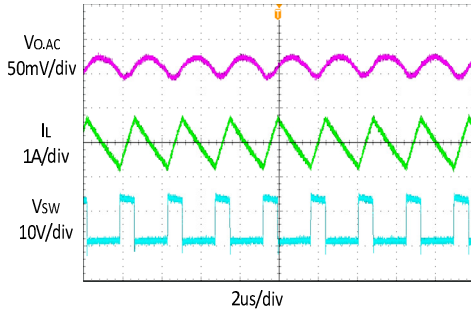


**TYPICAL PERFORMANCE CHARACTERISTICS**

Vin =12V, Vout = 3.3V, L = 4.7μH, Cout = 22μF, TA = +25°C, unless otherwise noted

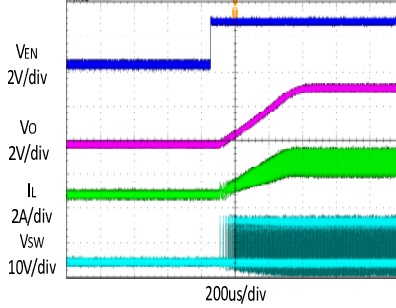
**Steady State Test**

VIN=12V, Vout=3.3V  
Iout=2A



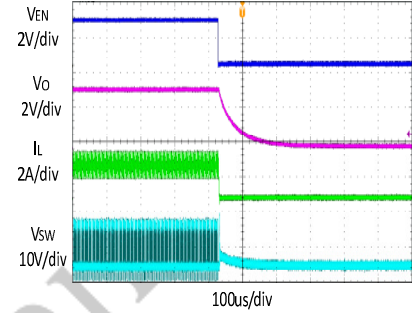
**Startup through Enable**

VIN=12V, Vout=3.3V  
Iout=2A(Resistive load)



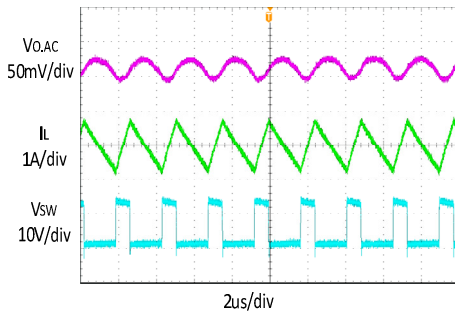
**Shutdown through Enable**

VIN=12V, Vout=3.3V  
Iout=2A(Resistive load)



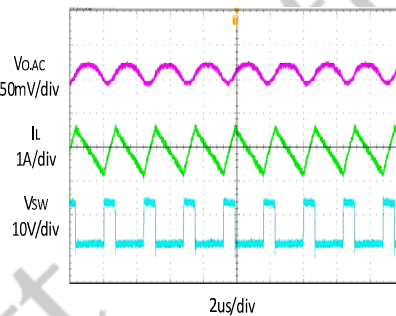
**Heavy Load Operation**

2A LOAD



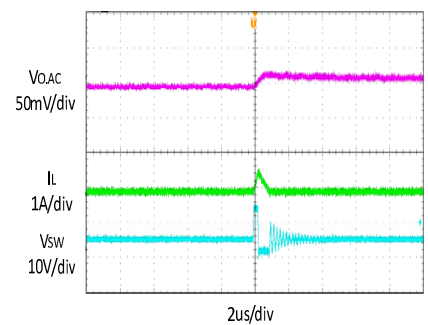
**Medium Load Operation**

1A LOAD



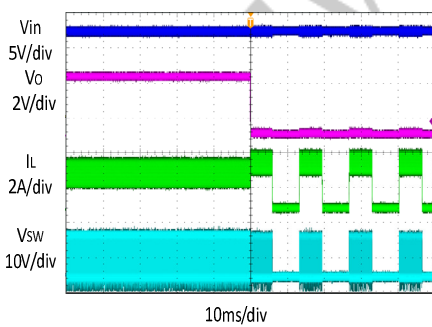
**Light Load Operation**

0 A LOAD



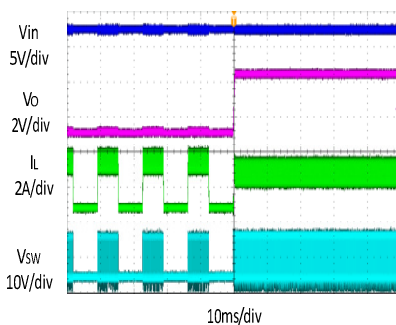
**Short Circuit Protection**

VIN=12V, Vout=3.3V  
Iout=2A- Short



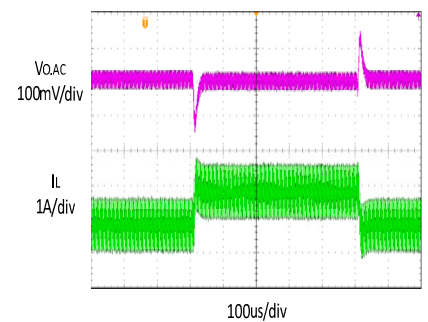
**Short Circuit Recovery**

VIN=12V, Vout=3.3V  
Iout= Short-2A



**Load Transient**

1A LOAD → 2A LOAD → 1A LOAD



## FUNCTIONAL DESCRIPTION

The JW5022S is a synchronous, buck voltage converter.

### Current-Mode Control

The JW5022S utilizes current-mode control to regulate the FB voltage. Voltage at the FB pin is regulated at 0.923V so that by connecting an appropriate resistor divider between VOUT and GND, designed output voltage can be achieved.

### PFM Mode

The JW5022S operates in PFM mode at light load. In PFM mode, switch frequency is continuously controlled in proportion to the load current, i.e. switch frequency is decreased when load current drops to boost power efficiency at light load by reducing switch-loss, while switch frequency is increased when load current rises, minimizing both load current and output voltage ripples.

### Internal Soft-Start.

Soft-start makes output voltage rising smoothly by following an internal SS voltage until SS voltage is higher than the internal reference voltage. It can prevent the overshoot of output voltage during startup.

### Power Switch

N-Channel MOSFET switches are integrated on the JW5022S to down convert the input voltage to the regulated output voltage. Since the top MOSFET needs a gate voltage greater than the input voltage, a boost capacitor connected between BST and SW pins is required to drive

the gate of the top switch. The boost capacitor is charged by the internal 3.3V rail when SW is low.

### Vin Under-Voltage Protection

A resistive divider can be connected between Vin and ground, with the central tap connected to EN, so that when Vin drops to the pre-set value, EN drops below 1.2V to trigger input under voltage lockout protection.

### Output Current Run-Away Protection

At start-up, due to the high voltage at input and low voltage at output, current inertia of the output inductance can be easily built up, resulting in a large start-up output current. A valley current limit is designed in the JW5022S so that only when output current drops below the valley current limit can the bottom power switch be turned off. By such control mechanism, the output current at start-up is well controlled.

### Over Current Protection and Hiccup

JW5022S has a cycle-by-cycle current limit. When the inductor current triggers current limit, JW5022S enters hiccup mode and periodically restart the chip. JW5022S will exit hiccup mode while not triggering current limit.

### Thermal Protection

When the temperature of the JW5022S rises above 140°C, it is forced into thermal shut-down. Only when core temperature drops below 130°C can the regulator becomes active again.

## APPLICATION INFORMATION

### Output Voltage Set

The output voltage is determined by the resistor divider connected at the FB pin, and the voltage ratio is:

$$V_{FB} = V_{OUT} \cdot \frac{R_3}{R_2 + R_3}$$

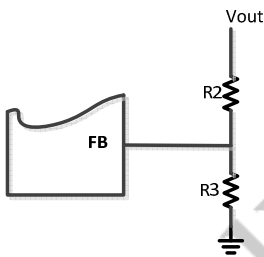
where  $V_{FB}$  is the feedback voltage and  $V_{OUT}$  is the output voltage.

Choose  $R_3$  around 10kΩ, and then  $R_2$  can be calculated by:

$$R_2 = R_3 \cdot \left( \frac{V_{OUT}}{0.923V} - 1 \right)$$

The following table lists the recommended values.

V <sub>OUT</sub> (V)	R <sub>3</sub> (kΩ)	R <sub>2</sub> (kΩ)
2.5	10	17
3.3	10	26.1
5	11	48.4



### Input Capacitor

The input capacitor is used to supply the AC input current to the step-down converter and maintaining the DC input voltage. The ripple current through the input capacitor can be calculated by:

$$I_{C1} = I_{LOAD} \cdot \sqrt{\frac{V_{OUT}}{V_{IN}} \cdot \left( 1 - \frac{V_{OUT}}{V_{IN}} \right)}$$

where  $I_{LOAD}$  is the load current,  $V_{OUT}$  is the output voltage,  $V_{IN}$  is the input voltage.

Thus the input capacitor can be calculated by the following equation when the input ripple voltage is determined.

$$C_1 = \frac{I_{LOAD}}{f_s \cdot \Delta V_{IN}} \cdot \frac{V_{OUT}}{V_{IN}} \cdot \left( 1 - \frac{V_{OUT}}{V_{IN}} \right)$$

where  $C_1$  is the input capacitance value,  $f_s$  is the

switching frequency,  $\Delta V_{IN}$  is the input ripple current.

The input capacitor can be electrolytic, tantalum or ceramic. To minimizing the potential noise, a small X5R or X7R ceramic capacitor, i.e. 0.1uF, should be placed as close to the IC as possible when using electrolytic capacitors.

A 10uF ceramic capacitor is recommended in typical application.

### Output Capacitor

The output capacitor is required to maintain the DC output voltage, and the capacitance value determines the output ripple voltage. The output voltage ripple can be calculated by:

$$\Delta V_{OUT} = \frac{V_{OUT}}{f_s \cdot L} \cdot \left( 1 - \frac{V_{OUT}}{V_{IN}} \right) \cdot \left( R_{ESR} + \frac{1}{8 \cdot f_s \cdot C_2} \right)$$

where  $C_2$  is the output capacitance value and  $R_{ESR}$  is the equivalent series resistance value of the output capacitor.

The output capacitor can be low ESR electrolytic, tantalum or ceramic, which lower ESR capacitors get lower output ripple voltage.

The output capacitors also affect the system stability and transient response, and a 22uF ceramic capacitor is recommended in typical application.

**Inductor**

The inductor is used to supply constant current to the output load, and the value determines the ripple current which affect the efficiency and the output voltage ripple. The ripple current is typically allowed to be 30% of the maximum switch current limit, thus the inductance value can be calculated by:

$$L = \frac{V_{OUT}}{f_s \cdot \Delta I_L} \cdot \left(1 - \frac{V_{OUT}}{V_{IN}}\right)$$

where  $V_{IN}$  is the input voltage,  $V_{OUT}$  is the output voltage,  $f_s$  is the switching frequency, and  $\Delta I_L$  is the peak-to-peak inductor ripple current.

**External Bootstrap Capacitor**

A bootstrap capacitor is required to supply voltage to the top switch driver. A 0.1uF low ESR ceramic capacitor is recommended to be connected to the BST pin and SW pin.

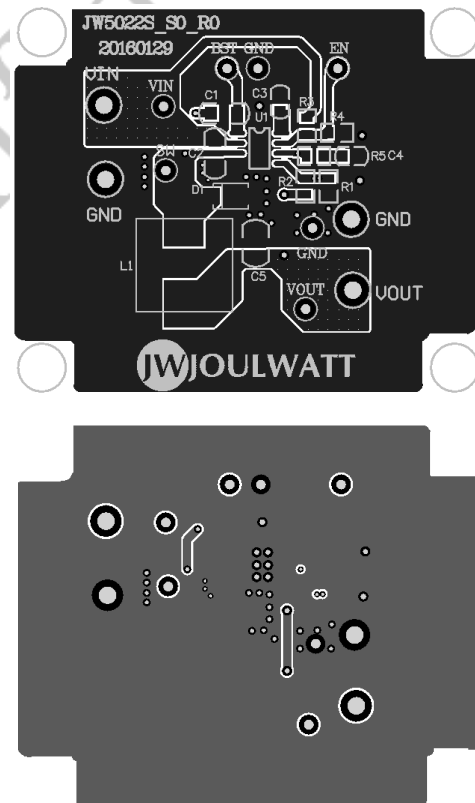
**External Soft-start Capacitor**

A soft-start capacitor is required to set the soft-start period, which controls the rate of the output voltage rise. Take the startup current and voltage rise rate into consideration, a 0.1uF ceramic capacitor is recommended.

**PCB Layout Note**

For minimum noise problem and best operating performance, the PCB is preferred to following the guidelines as reference.

1. Place the input decoupling capacitor as close to JW5022S (VIN pin and PGND) as possible to eliminate noise at the input pin.  
  
The loop area formed by input capacitor and GND must be minimized.
2. Put the feedback trace as far away from the inductor and noisy power traces as possible.
3. The ground plane on the PCB should be as large as possible for better heat dissipation.





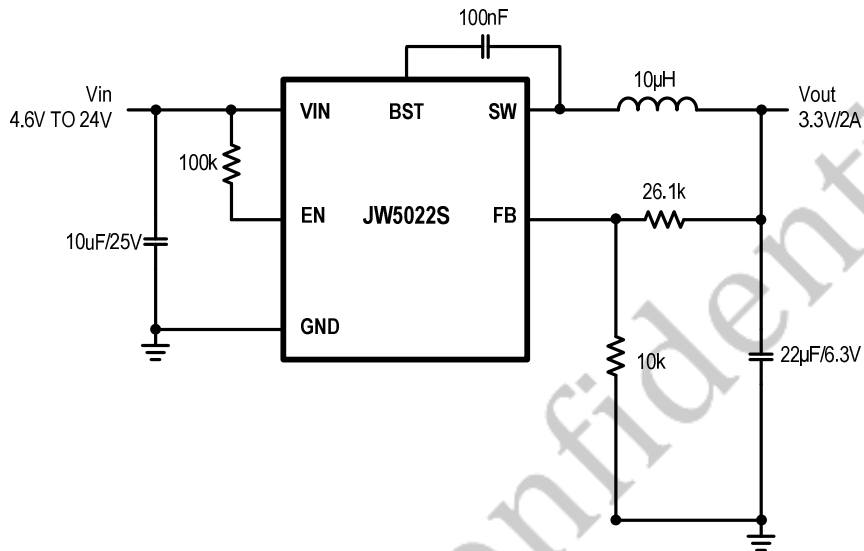
REFERENCE DESIGN

Reference 1:

$V_{IN}$ : 4.5V ~ 24V

$V_{OUT}$ : 3.3V

$I_{OUT}$ : 0~2A

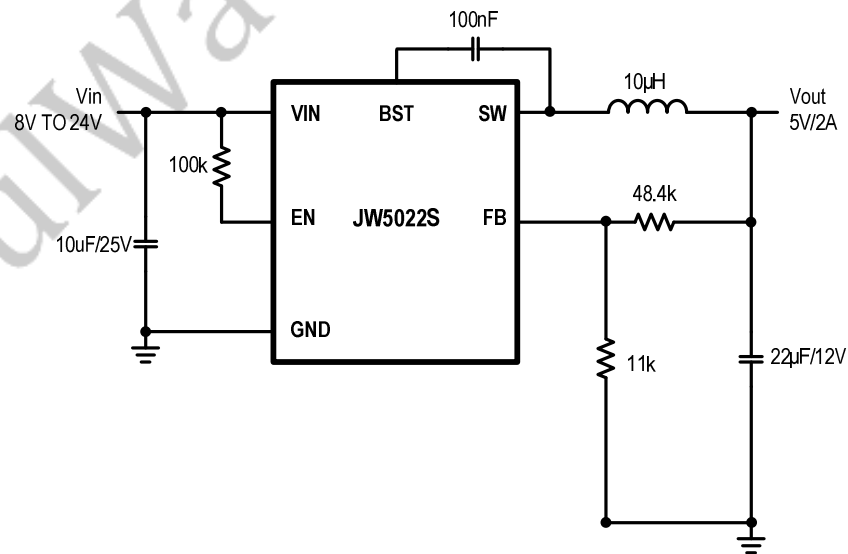


Reference 2:

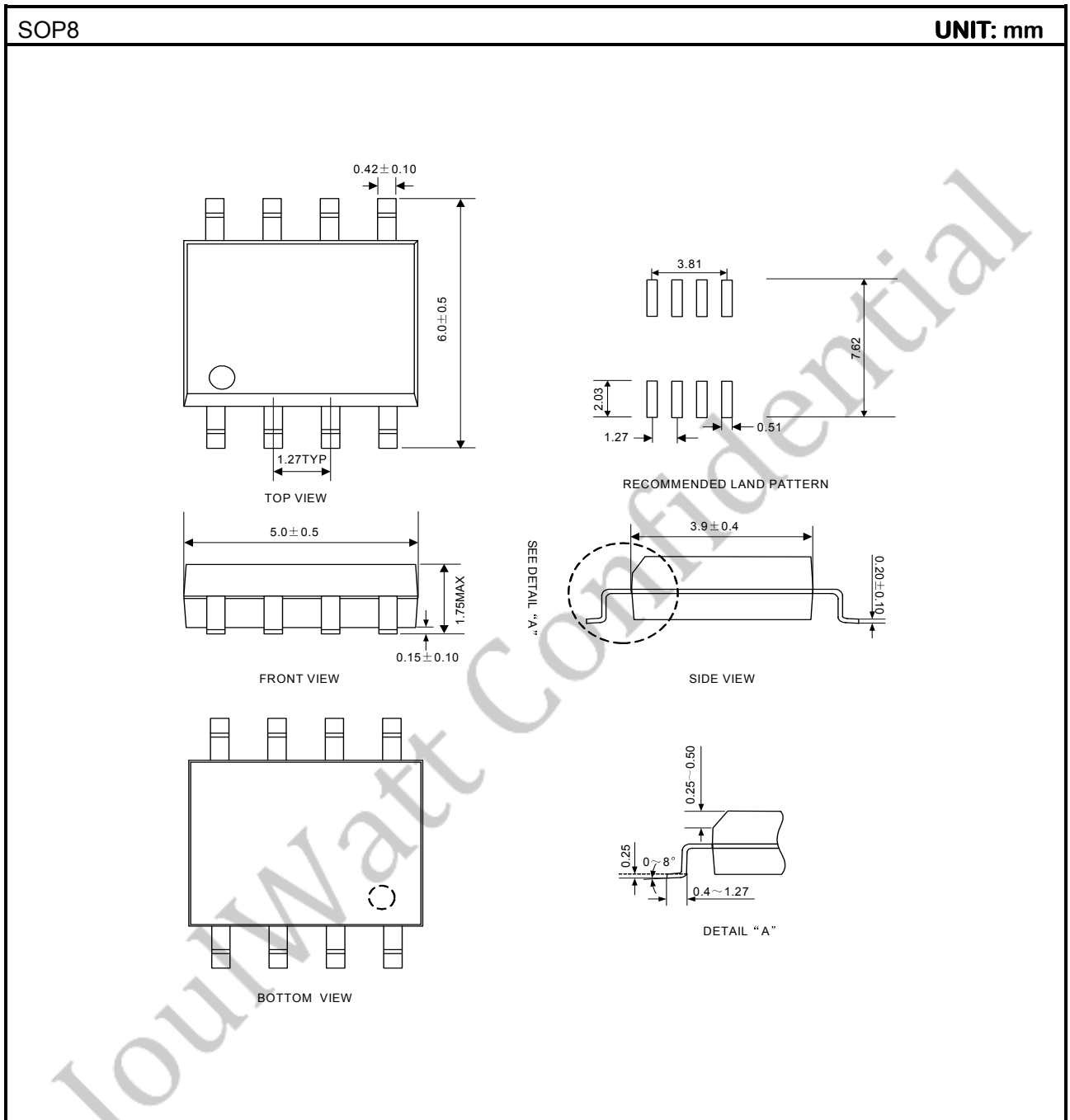
$V_{IN}$ : 8V ~ 24V

$V_{OUT}$ : 5V

$I_{OUT}$ : 0~2A



PACKAGE OUTLINE



**IMPORTANT NOTICE**

- Joulwatt Technology Inc. reserves the right to make modifications, enhancements, improvements, corrections or other changes without further notice to this document and any product described herein.
- Any unauthorized redistribution or copy of this document for any purpose is strictly forbidden.
- Joulwatt Technology Inc. does not warrant or accept any liability whatsoever in respect of any products purchased through unauthorized sales channel.

JoulWatt Confidential

*Copyright © 2016 JW5022S Incorporated.*

*All rights are reserved by Joulwatt Technology Inc.*

## X-ON Electronics

Largest Supplier of Electrical and Electronic Components

*Click to view similar products for [Isolated DC/DC Converters](#) category:*

*Click to view products by [JoulWatt](#) manufacturer:*

Other Similar products are found below :

[ESM6D044440C05AAQ](#) [FMD15.24G](#) [PSL486-7LR](#) [PSR152.5-7IR](#) [Q48T30020-NBB0](#) [AVO240-48S12B-6L](#) [AVO250-48S28B-6L](#) [NAN-0505](#) [HW-L16D](#) [JAHW100Y1](#) [217-1617-001](#) [22827](#) [SPB05C-12](#) [SQ24S15033-PS0S](#) [18952](#) [19-130041](#) [CE-1003](#) [CE-1004](#) [GQ2541-7R](#) [PSE1000DCDC-12V](#) [RDS180245](#) [MAU228](#) [419-2065-201](#) [449-2075-101](#) [TME 0303S](#) [TME 0505S](#) [TME 1205S](#) [TME 1212S](#) [TME 2405S](#) [TME 2412S](#) [J80-0041NL](#) [V300C24C150BG](#) [419-2062-200](#) [419-2063-401](#) [419-2067-101](#) [419-2067-501](#) [419-2068-001](#) [DCG40-5G](#) [DFC15U48D15](#) [449-2067-000](#) [XGS-0512](#) [XGS-1205](#) [XGS-1212](#) [XGS-2412](#) [XGS-2415](#) [XKS-1215](#) [033456](#) [NCT1000N040R050B](#) [SPB05B-15](#) [SPB05C-15](#)