

# Switch Mode Li-Ion/Polymer Battery Charger

## DESCRIPTION

The EUP8209 is a constant current, constant voltage Li-Ion battery charger controller that uses a current mode PWM step-down (buck) switching architecture. With a 500kHz switching frequency, the EUP8209 provides a small, simple and efficient solution to fast charge one (4.2V) or two (8.4V) cell lithium-ion batteries.

The EUP8209 charges the battery in three phases: conditioning, constant current, and constant voltage. An external sense resistor sets the charge current with  $\pm 10\%$  accuracy. An internal resistor divider and precision reference set the final float voltage to 4.2V per cell with  $\pm 1\%$  accuracy. An internal comparator detects the near end-of-charge condition while an internal timer sets the total charge time and terminates the charge cycle. The EUP8209 automatically re-starts the charge if the battery voltage falls below an internal threshold, 4.05V per cell. The EUP8209 also automatically enters sleep mode when DC supplies are removed.

The EUP8209 is available in the 8-lead SOP package.

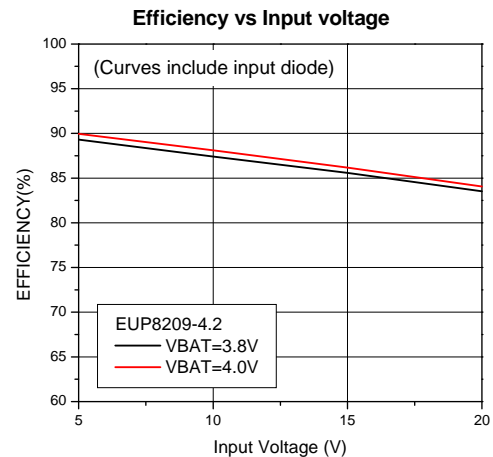
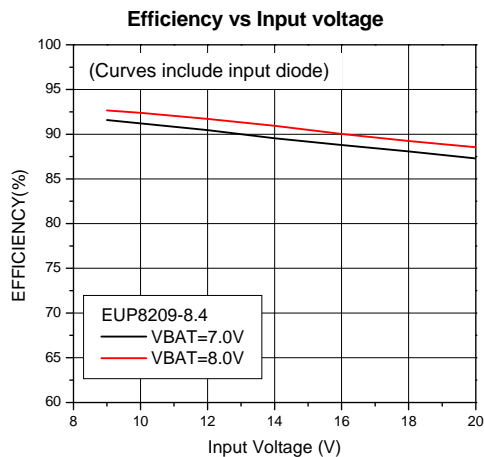
## FEATURES

- Wide Input Supply Voltage Range:
  - 4.8V to 20V – 4.2 Version
  - 8.9V to 20V – 8.4 Version
  - 8.9V to 20V – 8.4A Version
- 500kHz Switching Frequency
- End-of-Charge Current Detection Output
- 12 Hour Charge Termination Timer
- $\pm 1\%$  Charge Voltage Accuracy
- $\pm 10\%$  Charge Current Accuracy
- Low 10 $\mu$ A Reverse Battery Drain Current
- Automatic Battery Recharge
- Automatic Trickle Charging of Low Voltage Batteries
- Automatic Sleep Mode for Low Power Consumption
- Battery Temperature Sensing
- Stable with Ceramic Output Capacitor
- Support up to 3A Charge Current
- 8-Lead SOP Package
- RoHS Compliant and 100% Lead (Pb)-Free Halogen-Free

## APPLICATIONS

- Small Notebook Computer
- Portable DVD
- Handheld Instruments

## Typical Operating Performance



## Typical Application Circuit

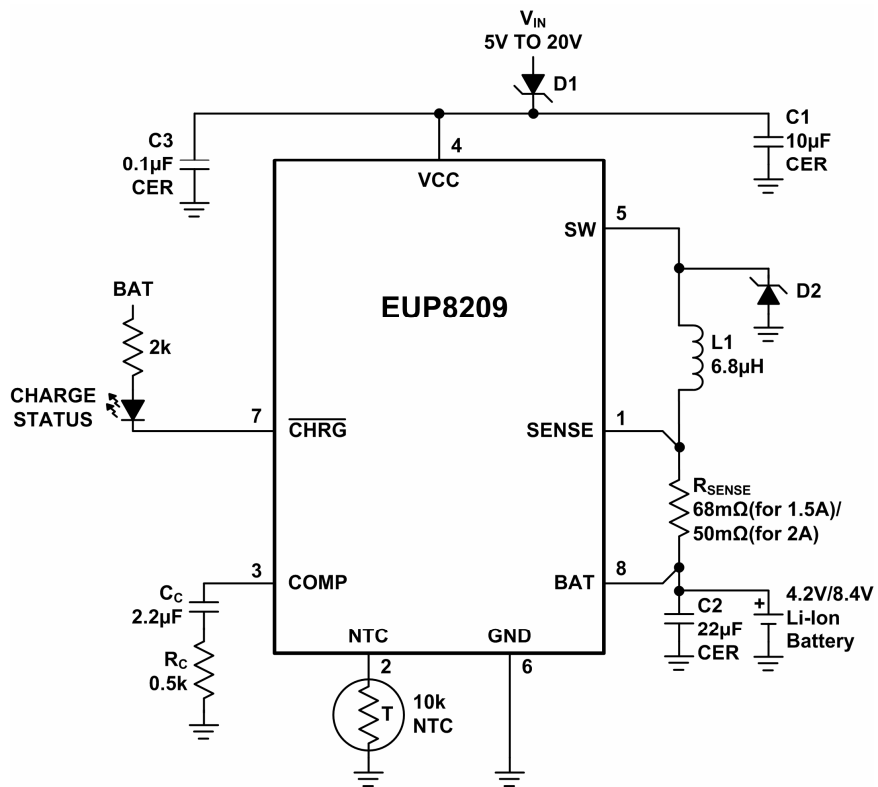


Figure 1. 1.5A Single Cell/2.0A Dual Cells Li-Ion Battery Charger

## Block Diagram

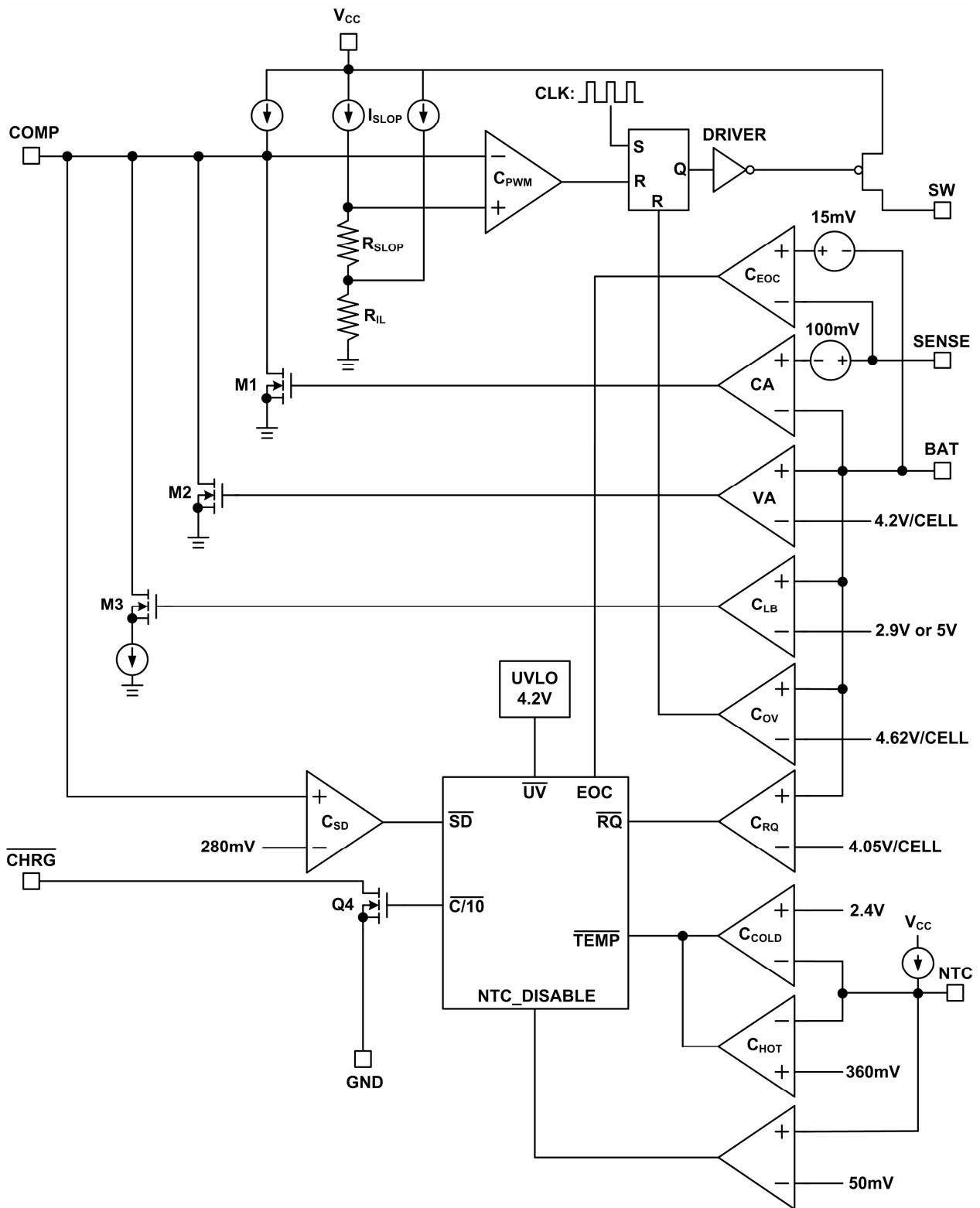


Figure 2.

**Pin Configurations**




Package Type	Pin Configurations
SOP-8	<p>(Top View)</p>

**Pin Description**

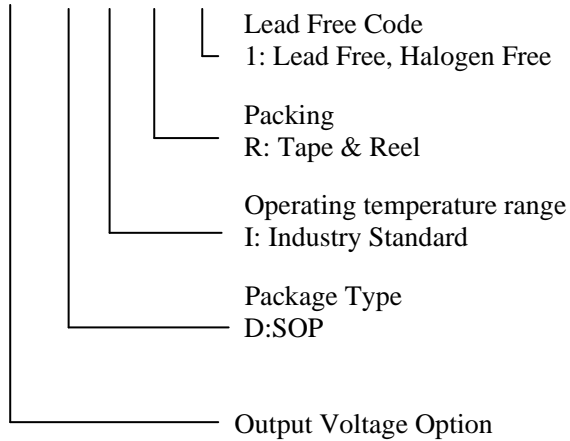
PIN	SOP-8	DESCRIPTION
SENSE	1	Current Amplifier Sense Input. A sense resistor, RSENSE, must be connected between the SENSE and BAT pins. The maximum charge current is equal to $100\text{mV}/\text{RSENSE}$ .
NTC	2	NTC (Negative Temperature Coefficient) Thermistor Input. With an external $10\text{k}\Omega$ NTC thermistor to ground, this pin senses the temperature of the battery pack and stops the charger when the temperature is out of range. To disable the temperature qualification function, ground the NTC pin.
COMP	3	Compensation, Soft-Start and Shutdown Control Pin. Charging begins when the COMP pin reaches $850\text{mV}$ . The recommended compensation components are a $2.2\mu\text{F}$ (or larger) capacitor and a $0.5\text{k}$ series resistor (or small). A $100\mu\text{A}$ current into the compensation capacitor also sets the soft-start slew rate. Pulling the COMP pin below $280\text{mV}$ will shut down the charger.
VCC	4	Positive Supply Voltage Input.
SW	5	Power Switching Output.
GND	6	IC Ground.
$\overline{\text{CHRG}}$	7	Charge Status Output.
BAT	8	Battery Sense Input. A bypass capacitor of $22\mu\text{F}$ is required to minimize ripple voltage. When $V_{\text{BAT}}$ is within $250\text{mV}$ of $V_{\text{CC}}$ , the EUP8209 is forced into sleep mode, dropping $I_{\text{CC}}$ to $10\mu\text{A}$ .

# EUP8209-4.2/8.4/8.4A

## Ordering Information

Order Number	Package Type	Marking	Operating Temperature Range
EUP8209-42DIR1	SOP-8	 XXXXX P8209 1N	-40 °C to +85°C
EUP8209-84DIR1	SOP-8	 XXXXX P8209 1P	-40 °C to +85°C
EUP8209-84ADIR1	SOP-8	 XXXXX P8209 1PA	-40 °C to +85°C

EUP8209-□□□ □ □ □ □



## Absolute Maximum Ratings

- Supply Voltage ( $V_{CC}$ ) ----- 22V
- SW ----- (-1V) to  $V_{CC}$
- BAT, SENSE ----- -0.3V to 14V
- $\overline{\text{CHRG}}$ , NTC ----- -0.3V to 8V
- Operating Temperature Range ----- -40°C to +85°C
- Storage Temperature Range ----- -65°C to +125°C
- Lead Temperature (Soldering, 10sec) ----- 260°C
- ESD protection ----- 2kV

## Electrical Characteristics ( $T_A = 25^\circ\text{C}$ , $V_{CC} = 10\text{V}$ , unless otherwise noted.)

Symbol	Parameter	Conditions	EUP8209-4.2			Unit	
			Min.	Typ.	Max.		
<b>DC Characteristics</b>							
$V_{CC}$	$V_{CC}$ Supply Voltage		4.8		20	V	
$I_{CC}$	$V_{CC}$ Supply Current	Current Mode		1.5	5	mA	
		Shutdown Mode		1.5	5	mA	
		Sleep Mode		10	20	$\mu\text{A}$	
$V_{\text{BAT(FLT)}}$	Battery Regulated Float Voltage	$5\text{V} \leq V_{CC} \leq 20\text{V}$	4.158	4.2	4.242	V	
$V_{\text{SNS(CHG)}}$	Constant Current Sense Voltage	$3\text{V} \leq V_{\text{BAT}} \leq 4\text{V}$	$T_A = 25^\circ\text{C}$	90	100	110	mV
			$-40^\circ\text{C} \leq T_A \leq 85^\circ\text{C}$	85		115	
$V_{\text{SNS(TRKL)}}$	Trickle Current Sense Voltage	$V_{\text{BAT}} = 1\text{V}$	8	15	22	mV	
$V_{\text{TRKL}}$	Trickle Charge Threshold Voltage	$V_{\text{BAT}} = \text{Rising}$	2.75	2.9	3.05	V	
$V_{\text{UV}}$	$V_{CC}$ Undervoltage Lockout Threshold Voltage	$V_{CC} = \text{Rising}$	3.9	4.2	4.5	V	
$\Delta V_{\text{UV}}$	$V_{CC}$ Undervoltage Lockout Hysteresis Voltage			200		mV	
$V_{\text{MSD}}$	Manual shutdown Threshold Voltage	COMP Pin Falling	150	280	450	mV	
$V_{\text{ASD}}$	Automatic shutdown Threshold Voltage	$V_{CC} - V_{\text{BAT}}$		250		mV	
$I_{\text{COMP}}$	COMP Pin Output Current	$V_{\text{COMP}} = 1.2\text{V}$		100		$\mu\text{A}$	
$V_{\text{CHRG}}$	$\overline{\text{CHRG}}$ Pin Output Low Voltage	$I_{\text{CHRG}} = 1\text{mA}$		20	50	mV	
$R_{\text{EOC}}$	End-of-Charge Ratio	$V_{\text{SNS(EOC)}} / V_{\text{SNS(CHG)}}$	6	15	32	%	
$t_{\text{TIMER}}$	Charge time Accuracy				10	%	
$I_{\text{NTC}}$	NTC Pin Output Current	$V_{\text{NTC}} = 0.85\text{V}$	75	85	95	$\mu\text{A}$	
$V_{\text{NTC-HOT}}$	NTC Pin Threshold Voltage (Hot)	$V_{\text{NTC}} = \text{Falling}$	340	360	380	mV	
		Hysteresis		5		mV	
$V_{\text{NTC-COLD}}$	NTC Pin Threshold Voltage (Cold)	$V_{\text{NTC}} = \text{Rising}$	2.35	2.4	2.45	V	
		Hysteresis		100		mV	
$\Delta V_{\text{RECHRG}}$	Recharge Battery Voltage Offset from Full Charged Battery Voltage	$V_{\text{BAT(FULLCHARGD)}} - V_{\text{RECHRG}}, V_{\text{BAT}}$ Falling	100	150	200	mV	
$I_{\text{LEAK}}$	$\overline{\text{CHRG}}$ Pin Leakage Current	$V_{\text{CHRG}} = 8\text{V}$ , Charging Stops			1	$\mu\text{A}$	

# EUP8209-4.2/8.4/8.4A

**Electrical Characteristics** ( $T_A = 25^\circ\text{C}$ ,  $V_{CC} = 10\text{V}$ , unless otherwise noted.)

Symbol	Parameter	Conditions	EUP8209-4.2			Unit
			Min.	Typ.	Max.	
$R_{\text{DS(ON)}}$	High-Side Switch On-Resistance			55		m $\Omega$
<b>Oscillator</b>						
$f_{\text{OSC}}$	Switching Frequency		450	500	550	kHz
DC	Maximum Duty Cycle				100	%

**Electrical Characteristics** ( $T_A = 25^\circ\text{C}$ ,  $V_{CC} = 10\text{V}$ , unless otherwise noted.)

Symbol	Parameter	Conditions	EUP8209-8.4/8.4A			Unit	
			Min.	Typ.	Max.		
<b>DC Characteristics</b>							
$V_{\text{CC}}$	$V_{\text{CC}}$ Supply Voltage		8.9		20	V	
$I_{\text{CC}}$	$V_{\text{CC}}$ Supply Current	Current Mode		1.5	5	mA	
		Shutdown Mode		1.5	5	mA	
		Sleep Mode		10	20	$\mu\text{A}$	
$V_{\text{BAT(FLT)}}$	Battery Regulated Float Voltage	$9\text{V} \leq V_{\text{CC}} \leq 20\text{V}$ $0^\circ\text{C} \leq T_A \leq 85^\circ\text{C}$	8.4A 8.4	8.257 8.316	8.34 8.4	8.423 8.484	V
$V_{\text{SNS(CHG)}}$	Constant Current Sense Voltage	$6\text{V} \leq V_{\text{BAT}} \leq 8\text{V}$ $T_A = 25^\circ\text{C}$ $-40^\circ\text{C} \leq T_A \leq 85^\circ\text{C}$		90 85	100	110 115	mV
$V_{\text{SNS(TRKL)}}$	Trickle Current Sense Voltage	$V_{\text{BAT}} = 1\text{V}$	8	15	22	mV	
$V_{\text{TRKL}}$	Trickle Charge Threshold Voltage	$V_{\text{BAT}} = \text{Rising}$	4.7	5	5.3	V	
$V_{\text{UV}}$	$V_{\text{CC}}$ Undervoltage Lockout Threshold Voltage	$V_{\text{CC}} = \text{Rising}$		7.5	8.5	V	
$\Delta V_{\text{UV}}$	$V_{\text{CC}}$ Undervoltage Lockout Hysteresis Voltage			500		mV	
$V_{\text{MSD}}$	Manual shutdown Threshold Voltage	COMP Pin Falling	150	280	450	mV	
$V_{\text{ASD}}$	Automatic shutdown Threshold Voltage	$V_{\text{CC}} - V_{\text{BAT}}$		250		mV	
$I_{\text{COMP}}$	COMP Pin Output Current	$V_{\text{COMP}} = 1.2\text{V}$		100		$\mu\text{A}$	
$V_{\text{CHRG}}$	CHRG Pin Output Low Voltage	$I_{\text{CHRG}} = 1\text{mA}$		20	50	mV	
$R_{\text{EOC}}$	End-of-Charge Ratio	$V_{\text{SNS(EOC)}} / V_{\text{SNS(CHG)}}$	5	15	25	%	
$t_{\text{TIMER}}$	Charge time Accuracy				10	%	
$I_{\text{NTC}}$	NTC Pin Output Current	$V_{\text{NTC}} = 0.85\text{V}$	75	85	95	$\mu\text{A}$	
$V_{\text{NTC-HOT}}$	NTC Pin Threshold Voltage (Hot)	$V_{\text{NTC}} = \text{Falling}$	340	360	380	mV	
		Hysteresis		5		mV	
$V_{\text{NTC-COLD}}$	NTC Pin Threshold Voltage (Cold)	$V_{\text{NTC}} = \text{Rising}$	2.35	2.4	2.45	V	
		Hysteresis		100		mV	
$\Delta V_{\text{RECHRG}}$	Recharge Battery Voltage Offset from Full Charged Battery Voltage	$V_{\text{BAT(FULLCHRGD)}} - V_{\text{RECHRG}}$ , $V_{\text{BAT}}$ Falling	200	300	400	mV	
$I_{\text{LEAK}}$	CHRG Pin Leakage Current	$V_{\text{CHRG}} = 8\text{V}$ , Charging Stops			1	$\mu\text{A}$	
$R_{\text{DS(ON)}}$	High-Side Switch On-Resistance			55		m $\Omega$	

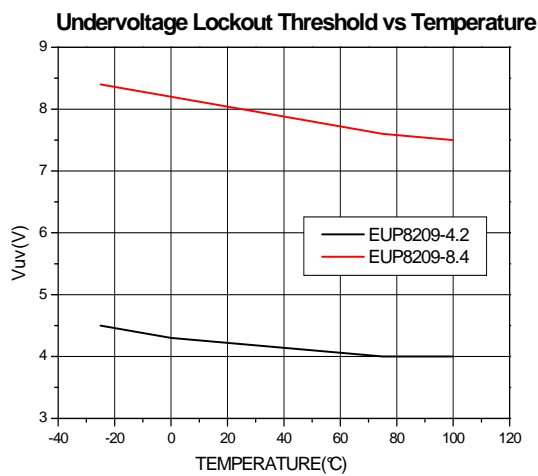
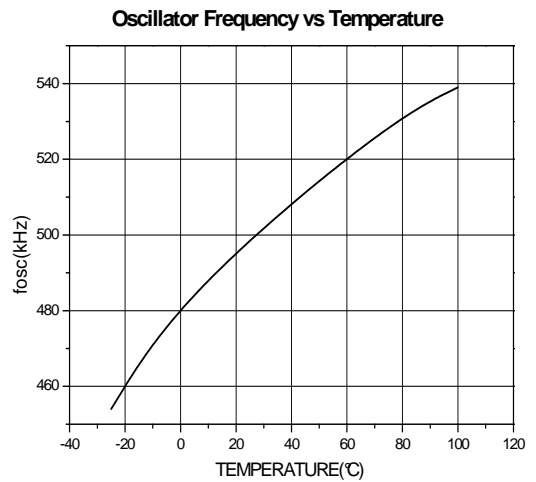
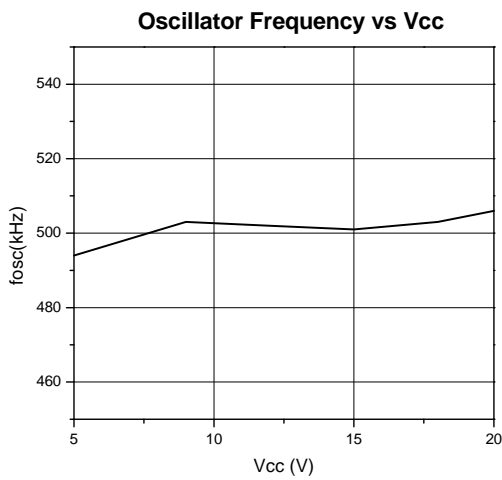
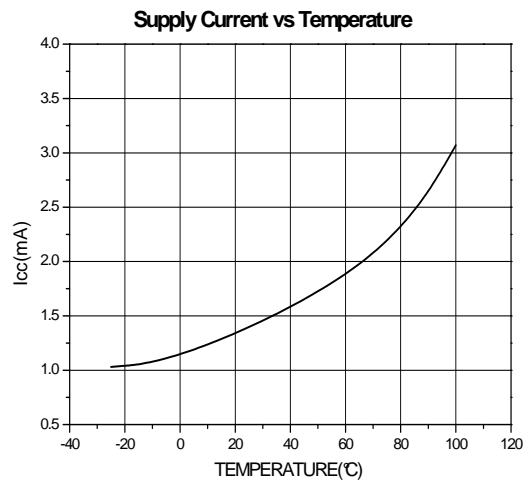
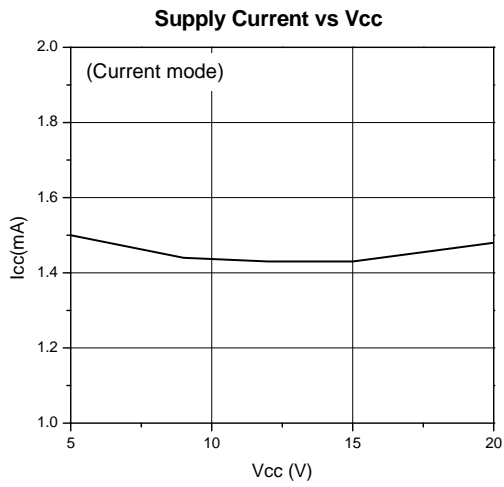
# ***EUP8209-4.2/8.4/8.4A***

**Electrical Characteristics** ( $T_A = 25^\circ\text{C}$ ,  $V_{CC} = 10\text{V}$ , unless otherwise noted.)

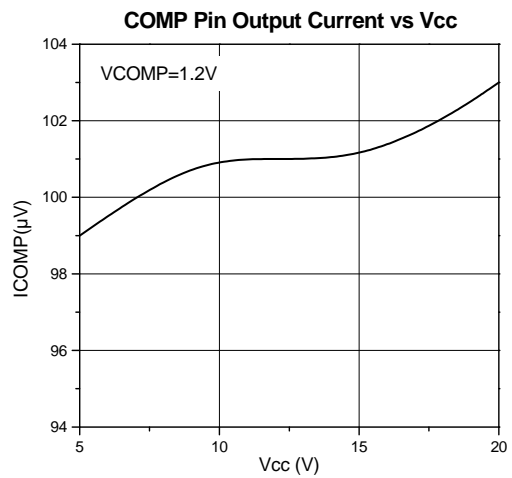
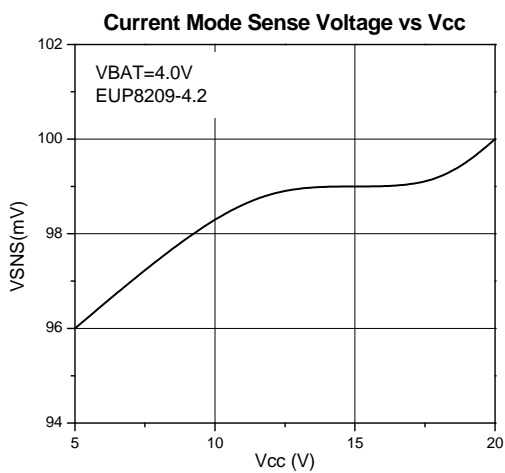
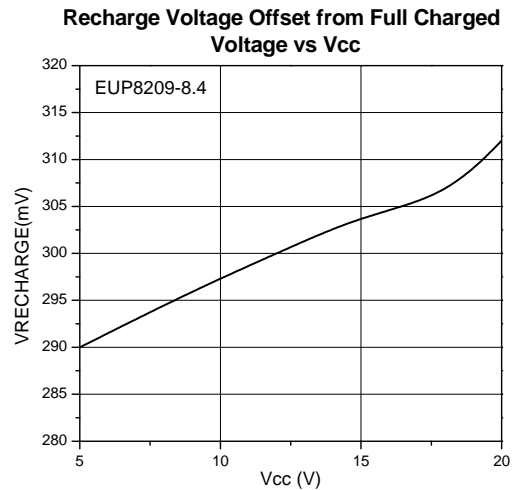
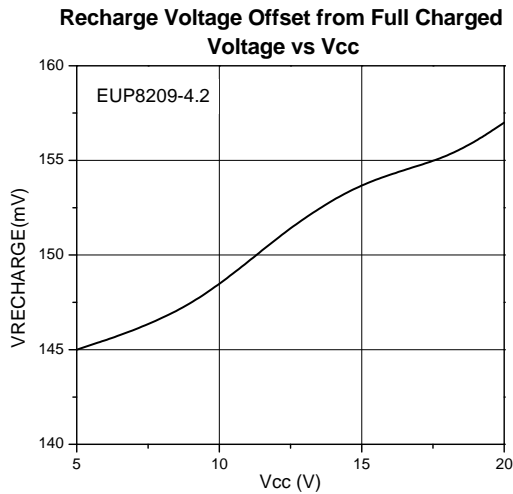
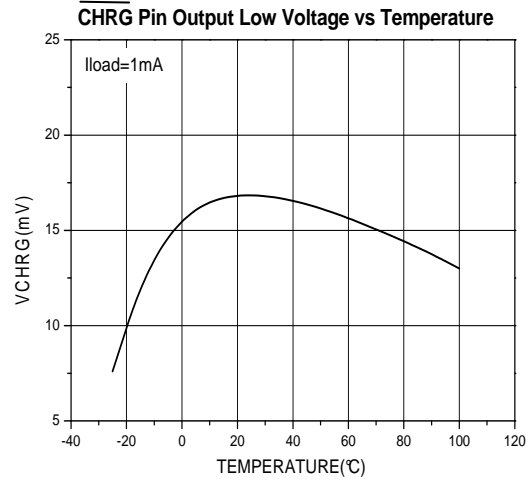
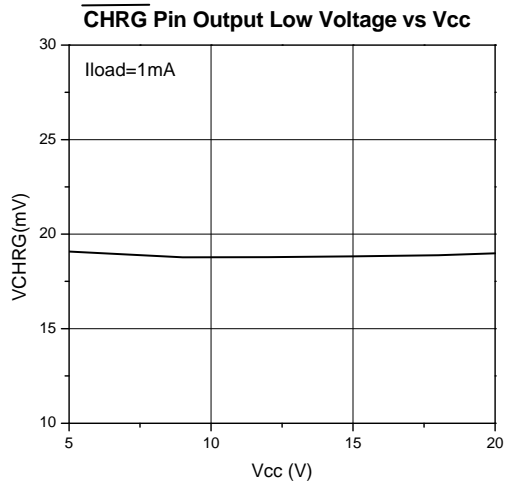
Symbol	Parameter	Conditions	EUP8209-8.4/8.4A			Unit
			Min.	Typ.	Max.	
<b>Oscillator</b>						
$f_{osc}$	Switching Frequency		450	500	550	kHz
DC	Maximum Duty Cycle				100	%



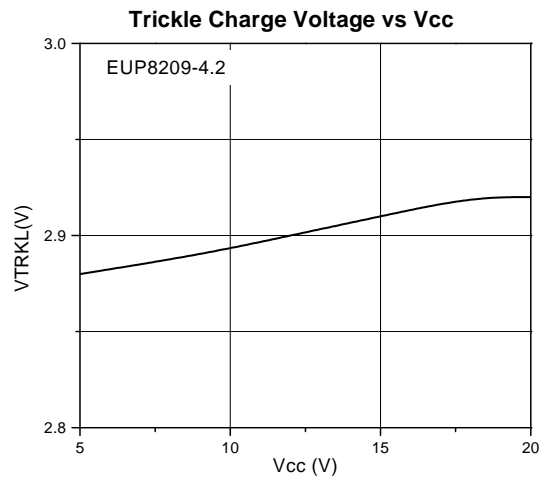
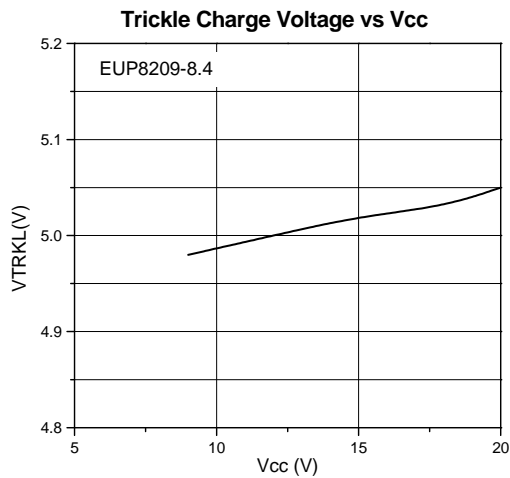
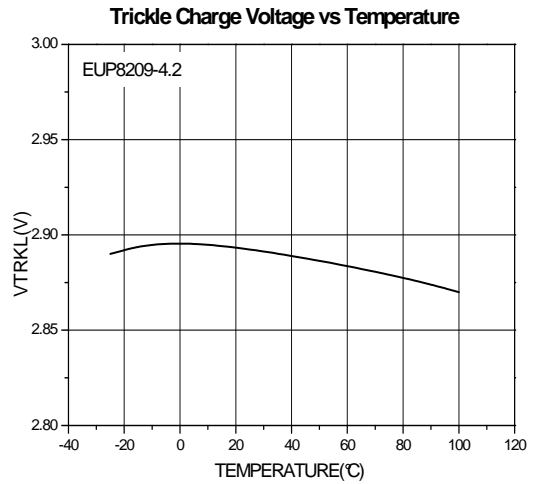
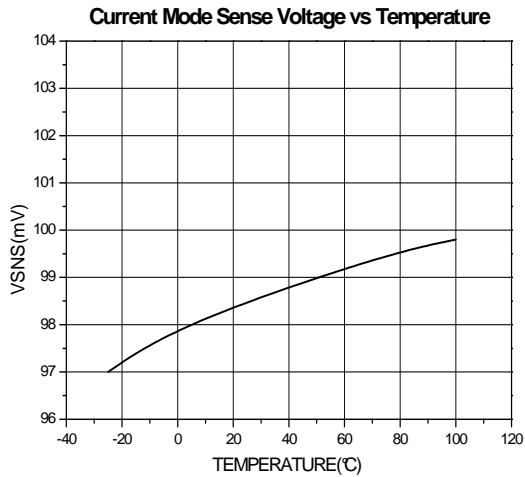
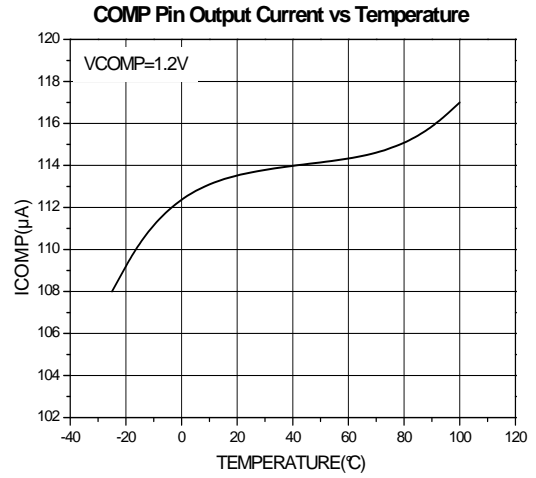
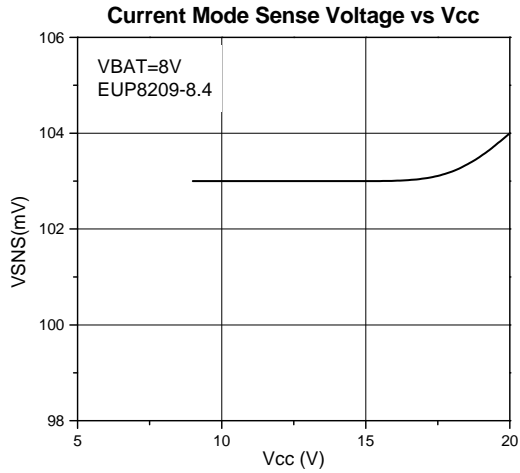
## Typical Operating Characteristics



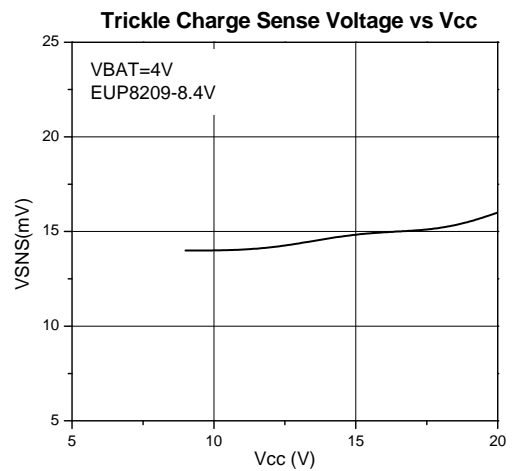
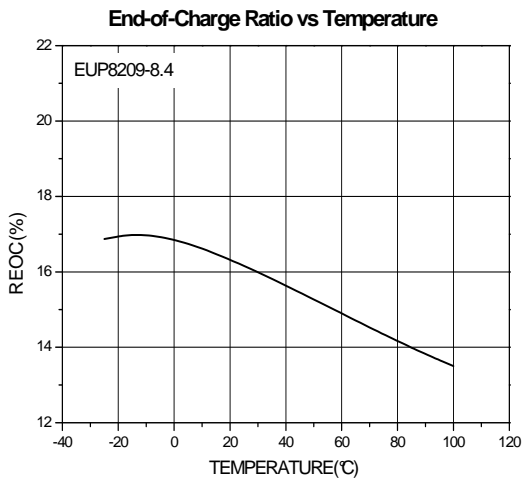
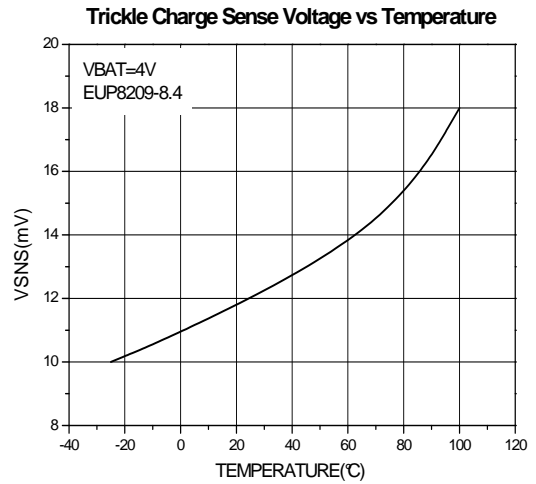
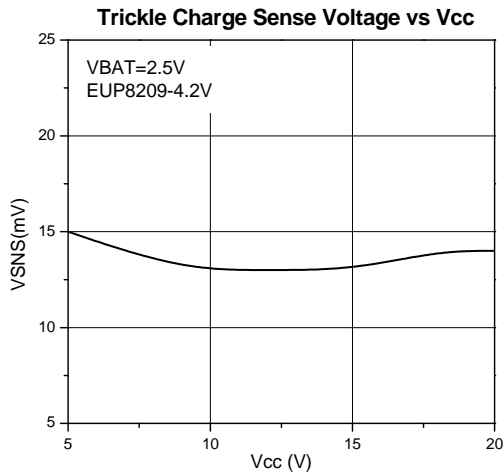
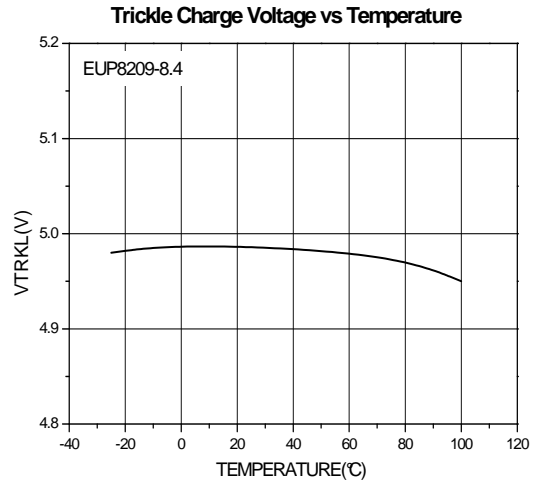
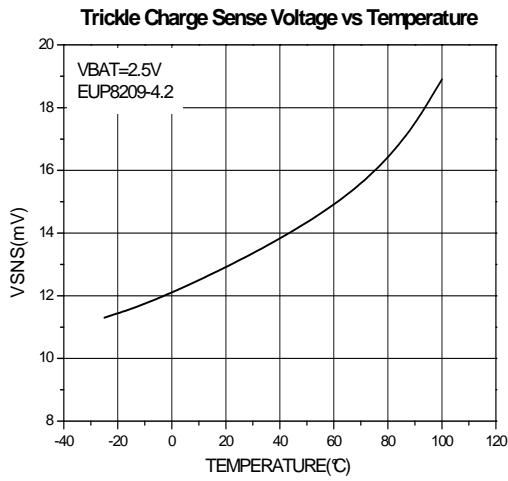
## Typical Operating Characteristics (continued)



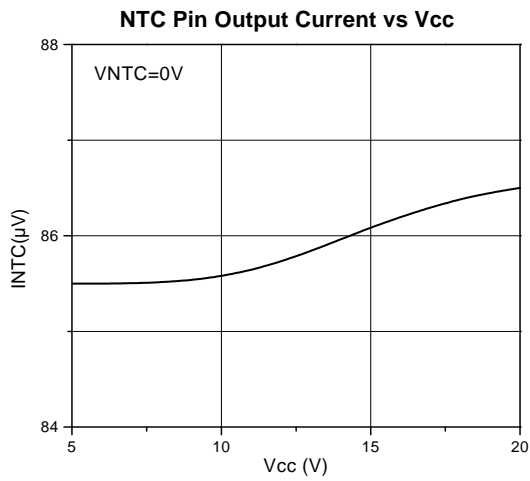
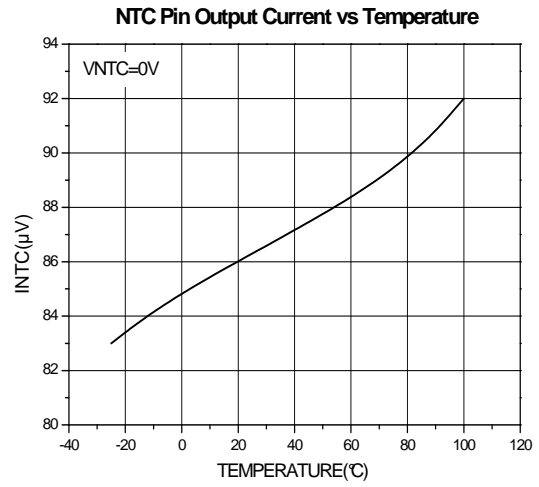
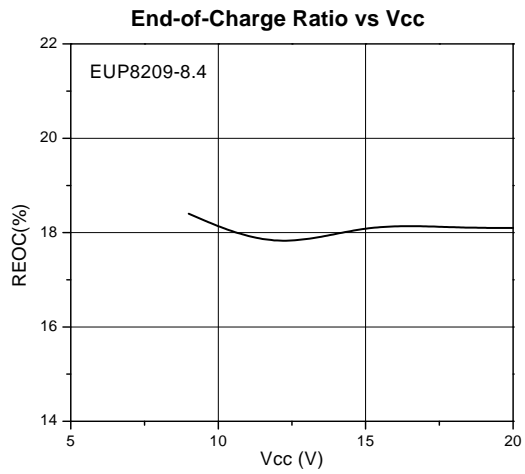
## Typical Operating Characteristics (continued)



## Typical Operating Characteristics (continued)



## Typical Operating Characteristics (continued)



Application Information

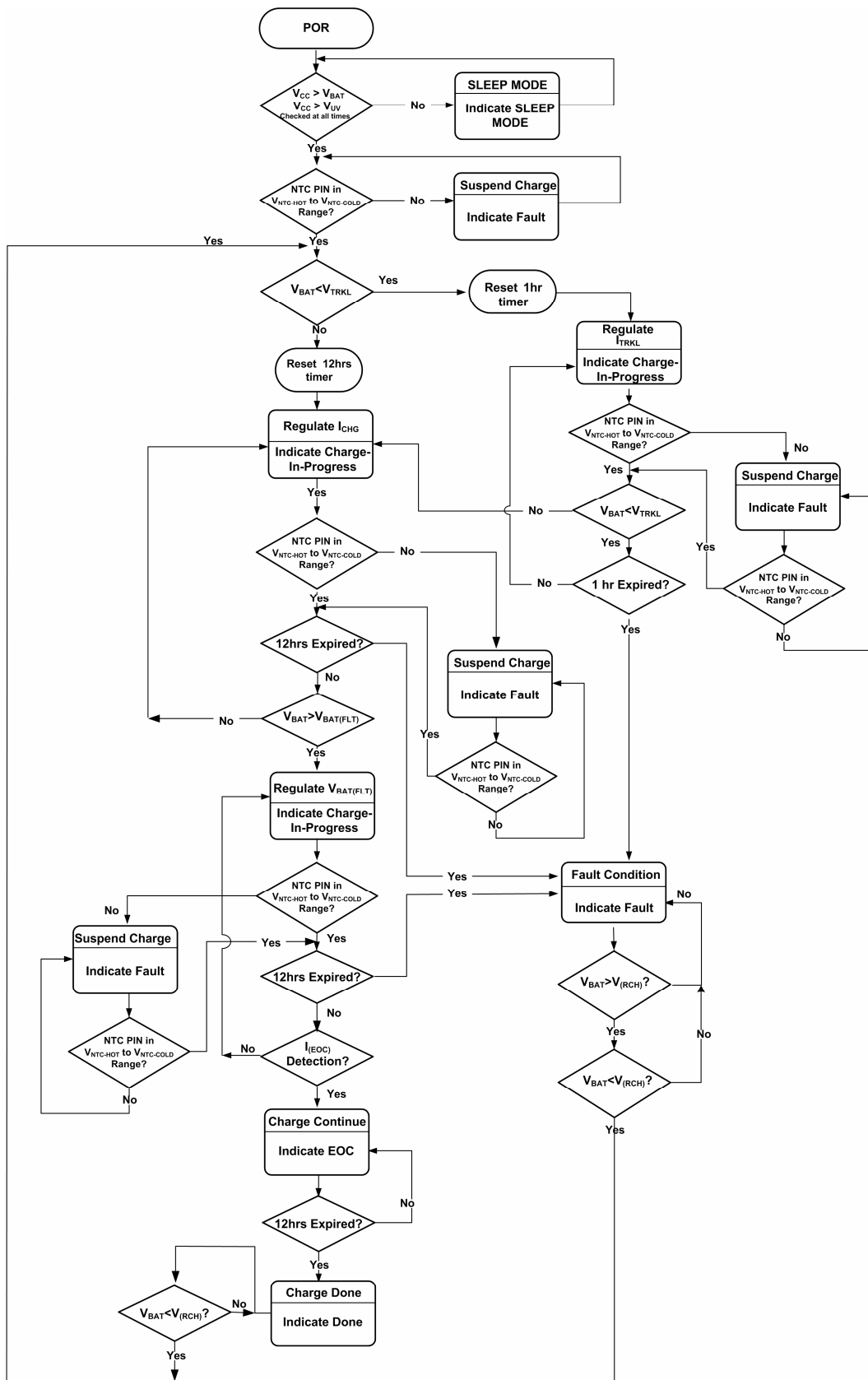
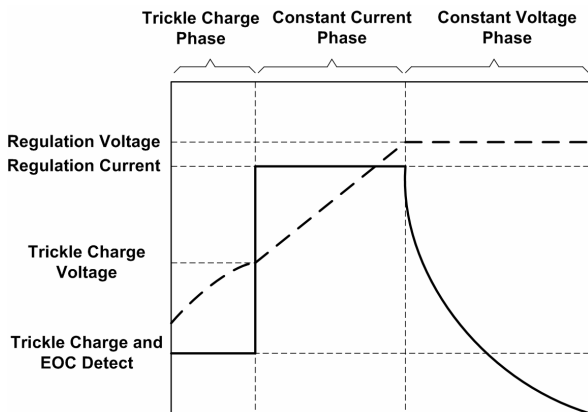


Figure 3. Operational Flow Chart

## OPERATION

The EUP8209 is a constant current, constant voltage Li-Ion battery charger controller that uses a current mode PWM step-down (buck) switching architecture. The charge current is set by an external sense resistor ( $R_{SENSE}$ ) across the SENSE and BAT pins. The final battery float voltage is internally set to 4.2V per cell. For batteries like lithium-ion that require accurate final float voltage, the internal 2.4V reference, voltage amplifier and the resistor divider provide regulation with  $\pm 1\%$  accuracy.



**Figure 4. Typical Charge Profile**

A charge cycle begins when the voltage at the  $V_{CC}$  pin rises above the UVLO level and is 250mV or more greater than the battery voltage. At the beginning of the charge cycle, if the battery voltage is less than the trickle charge threshold, 2.9V for the 4.2 version and 5V for the 8.4 version, the charger goes into trickle charge mode. The trickle charge current is internally set to 15% of the full-scale current. If the battery voltage stays low for 1 hour, the battery is considered faulty and the charge cycle is terminated.

When the battery voltage exceeds the trickle charge threshold, the charger goes into the full-scale constant current charge mode. In constant current mode, the charge current is set by the external sense resistor  $R_{SENSE}$  and an internal 100mV reference;

$$I_{CHG} = \frac{V_{SNS(CHG)}}{R_{SENSE}} = \frac{100mV}{R_{SENSE}}$$

When the battery voltage approaches the programmed float voltage, the charge current will start to decrease. When the current drops to 15% (4.2 version) or 15% (8.4 version) of the full-scale charge current, an internal comparator turns off the internal pull-down N-channel MOSFET at the  $CHRG$  pin, and to indicate a near end-of-charge condition.

An internal 12 hour timer determines the total charge time. After a time out occurs, the charge cycle is terminated and the  $CHRG$  pin is forced high impedance.

To restart the charge cycle, remove and reapply the input voltage or momentarily shut the charger down. Also, a new charge cycle will begin if the battery voltage drops below the recharge threshold voltage of 4.05V per cell.

When the input voltage is present, the charger can be shut down ( $I_{CC} = 1.5mA$ ) by pulling the  $COMP$  pin low. When the input voltage is not present, the charger goes into sleep mode, dropping  $I_{CC}$  to  $10\mu A$ . This will greatly reduce the current drain on the battery and increase the standby time.

A  $10k\Omega$  NTC (negative temperature coefficient) thermistor can be connected from the NTC pin to ground for battery temperature qualification. The charge cycle is suspended when the temperature is outside of the  $0^{\circ}C$  to  $50^{\circ}C$  window.

## APPLICATIONS INFORMATION

### Undervoltage Lockout (UVLO)

An undervoltage lockout circuit monitors the input voltage and keeps the charger off until  $V_{CC}$  rises above the UVLO threshold (4.2V for the 4.2 version, 7.5V for the 8.4 version) and at least 250mV above the battery voltage. To prevent oscillation around the threshold voltage, the UVLO circuit has 200mV per cell of built-in hysteresis. When specifying minimum input voltage requirements, the voltage drop across the input blocking diode must be added to the minimum  $V_{CC}$  supply voltage specification.

### Trickle Charge and Defective Battery Detection

At the beginning of a charge cycle, if the battery voltage is below the trickle charge threshold, the charger goes into trickle charge mode with the charge current reduced to 15% of the full-scale current. If the low-battery voltage persists for 1 hour, the battery is considered defective, the charge cycle is terminated and the  $CHRG$  pin is forced high impedance.

$$I_{TRKL} = \frac{V_{SNS(TRKL)}}{R_{SENSE}} = \frac{15mV}{R_{SENSE}}$$

### Shutdown

The EUP8209 can be shut down by pulling the  $COMP$  pin to ground which turning off the P-channel MOSFET. When the  $COMP$  pin is released, the internal timer is reset and a new charge cycle starts. In shutdown, the output of the  $CHRG$  pin is high impedance and the quiescent current remains at 1.5mA. Removing the input power supply will put the charger into sleep mode. If the voltage at the  $V_{CC}$  pin drops below ( $V_{BAT} + 250mV$ ) or below the UVLO level, the EUP8209 goes into a low current ( $I_{CC} = 10\mu A$ ) sleep mode, reducing the battery drain current.

## CHRG Status Output Pin

When a charge cycle starts, the  $\overline{\text{CHRG}}$  pin is pulled to ground by an internal N-channel MOSFET which is capable of driving an LED. When the charge current drops below the End-of-Charge threshold, the N-channel MOSFET turns off is connected to the  $\overline{\text{CHRG}}$  pin and until the timer ends the charge cycle, or the charger is in manual shutdown or sleep mode.

**Table1:  $\overline{\text{CHRG}}$  Status Pin Summary**

CHARGE STATE	$\overline{\text{CHRG}}$ Pin
Trickle Charge in Process	Strong On
Constant Current Charge in Process	Strong On
Constant Voltage Charge in Process	Strong On
Charge Suspend (Temperature)	Strong On (remains the same)
Timer Fault	Hi-Z
Sleep / Shutdown	Hi-Z
End of Charge	Hi-Z
Battery Disconnected	Hi-Z

After a time out occurs (charge cycle ends), the pin will become high impedance.

## Stability

Both the current loop and the voltage loop share a common, high impedance, compensation node (COMP pin). A series capacitor and resistor on this pin compensates both loops. The resistor is included to provide a zero in the loop response and boost the phase margin. The compensation capacitor also provides a soft-start function for the charger. Upon start-up, then ramp at a rate set by the internal  $100\mu\text{A}$  pullup current source and the external capacitor. Battery charge current starts ramping up when the COMP pin voltage reaches  $0.85\text{V}$  and full current is achieved with the COMP pin at  $1.3\text{V}$ . With a  $2.2\mu\text{F}$  capacitor, time to reach full charge current is about  $10\text{ms}$ . Capacitance can be increased if a longer start-up time is needed.

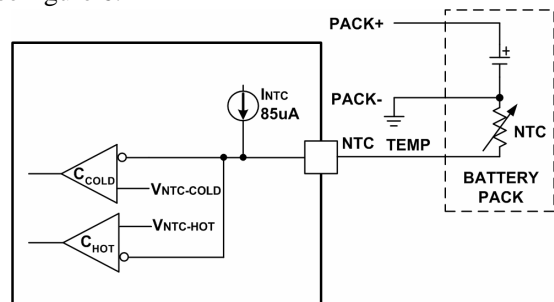
## Automatic Battery Recharge

After the 12 hour charge cycle is completed and both the battery and the input power supply (wall adapter) are still connected, a new charge cycle will begin if the battery voltage drops below  $4.05\text{V}$  per cell due to self-discharge or external loading. This will keep the battery capacity at more than 80% at all times without manually restarting the charge cycle.

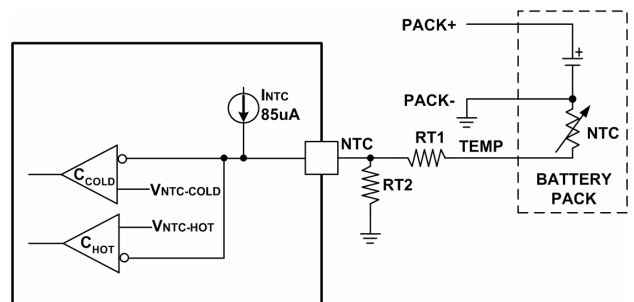
## Battery Temperature Detection

A negative temperature coefficient (NTC) thermistor located close to the battery pack can be used to monitor battery temperature and will not allow charging unless

the battery temperature is within an acceptable range. Connect a  $10\text{k}\Omega$  thermistor from the NTC pin to ground. If the temperature rises to  $50^\circ\text{C}$ , the resistance of the NTC will be approximately  $4.2\text{k}\Omega$ . With the  $85\mu\text{A}$  pull-up current source, the Hot temperature voltage threshold is  $360\text{mV}$ . For Cold temperature, the voltage threshold is set at  $2.4\text{V}$  which is equal to  $0^\circ\text{C}$  ( $R_{\text{NTC}} \cong 28\text{k}\Omega$ ) with  $85\mu\text{A}$  of pull-up current. If the temperature is outside the window, turning off P-channel MOSFET and the timer frozen while the output status at the  $\overline{\text{CHRG}}$  pin remains the same. The charge cycle begins or resumes once the temperature is within the acceptable range. Short the NTC pin to ground to disable the temperature qualification feature. However the user may modify these thresholds by adding two external resistor. See figure 6.



**Figure 5. Temperature Sensing Configuration**



**Figure 6. Temperature Sensing Thresholds**

## Input and Output Capacitors

Since the input capacitor is assumed to absorb all input switching ripple current in the converter, it must have an adequate ripple current rating. Worst-case RMS ripple current is approximately one-half of output charge current. Actual capacitance value is not critical. Solid tantalum capacitors have a high ripple current rating in a relatively small surface mount package, but caution must be used when tantalum capacitors are used for input bypass. High input surge currents can be created when the adapter is hot-plugged to the charger and solid tantalum capacitors have a known failure mechanism when subjected to very high turn-on surge currents. Selecting the highest possible voltage rating on the capacitor will minimize problems. Consult with the manufacturer before use.



The selection of output capacitor  $C_{OUT}$  is primarily determined by the ESR required to minimize ripple voltage and load step transients. The output ripple  $\Delta V_{OUT}$  is approximately bounded by:

$$\Delta V_{OUT} \leq \Delta I_L \left( ESR + \frac{1}{8f_{OSC} C_{OUT}} \right)$$

Since  $\Delta I_L$  increases with input voltage, the output ripple is highest at maximum input voltage. Typically, once the ESR requirement is satisfied, the capacitance is adequate for filtering and has the necessary RMS current rating.

Switching ripple current splits between the battery and the output capacitor depending on the ESR of the output capacitor and the battery impedance. EMI considerations usually make it desirable to minimize ripple current in the battery leads. Ferrite beads or an inductor may be added to increase battery impedance at the 500kHz switching frequency. If the ESR of the output capacitor is  $0.2\Omega$  and the battery impedance is raised to  $4\Omega$  with a bead or inductor, only 5% of the current ripple will flow in the battery.

### Design Example

As a design example, take a charger with the following specifications:

For single cell charge,  $V_{IN} = 5V$  to  $20V$ ,  $V_{BAT} = 4V$  nominal,  $I_{BAT} = 1.5A$ ,  $f_{OSC} = 500kHz$ , see Figure 1.

First, calculate the SENSE resistor :

$$R_{SENSE} = \frac{100mV}{1.5A} = 68m\Omega$$

Choose the inductor for about 65% ripple current at the maximum  $V_{IN}$ :

$$L = \frac{4V}{(500kHz)(0.65)(1.5A)} \left( 1 - \frac{4V}{20V} \right) = 6.56\mu H$$

Selecting a standard value of  $6.8\mu H$  results in a maximum ripple current of :

$$\Delta I_L = \frac{4V}{(500kHz)(6.8\mu H)} \left( 1 - \frac{4V}{20V} \right) = 941.2mA$$

$$I_{LPK} = I_{CHG} + \frac{\Delta I_L}{2} = 1.5A + \frac{941.2mA}{2} \approx 1.975A$$

Next, the P-channel MOSFET. For example, a SOP-8 package with  $R_{DS(ON)} = 42m\Omega$  (nom),  $55m\Omega$  (max) offers a small solution. The maximum power dissipation with  $V_{IN} = 5V$  and  $V_{BAT} = 4V$  at  $50^\circ C$  ambient temperature is:

$$P_D = \frac{(1.5A)^2 (55m\Omega) (4V)}{5V} = 0.099W$$

$$T_J = 50^\circ C + (0.099W)(65^\circ C/W) = 56.5^\circ C$$

$C_{IN}$  is chosen for an RMS current rating of about 0.8A at  $85^\circ C$ . The output capacitor is chosen for an ESR similar to the battery impedance of about  $100m\Omega$ . The ripple voltage on the BAT pin is:

$$V_{OUT(RIPPLE)} = \frac{\Delta I_{L(max)}(ESR)}{2} = \frac{(0.94A)(0.1\Omega)}{2} = 47mV$$

For dual cells charge,

$V_{IN} = 5V$  to  $20V$ ,  $V_{BAT} = 8V$  nominal,  $I_{BAT} = 3A$ ,  $f_{OSC} = 500kHz$ ,  $I_{EOC} = 0.45A$ ,

$$R_{SENSE} = \frac{100mV}{3A} = 33m\Omega$$

Choose the inductor for about 50% ripple current at the maximum  $V_{IN}$ :

$$L = \frac{8V}{(500kHz)(0.5)(3A)} \left( 1 - \frac{8V}{20V} \right) = 6.4\mu H$$

Selecting a standard value of  $6.8\mu H$  results in a maximum ripple current of :

$$\Delta I_L = \frac{8V}{(500kHz)(6.8\mu H)} \left( 1 - \frac{8V}{20V} \right) = 1.441A$$

$$I_{LPK} = I_{CHG} + \frac{\Delta I_L}{2} = 3A + \frac{1.441A}{2} \approx 3.720A$$

The maximum power dissipation with  $V_{IN} = 9V$  and  $V_{BAT} = 8V$  at  $50^\circ C$  ambient temperature is:

$$P_D = \frac{(3A)^2 (55m\Omega) (8V)}{9V} = 0.44W$$

$$T_J = 50^\circ C + (0.44W)(65^\circ C/W) = 78.6^\circ C$$

$$V_{OUT(RIPPLE)} = \frac{\Delta I_{L(max)}(ESR)}{2} = \frac{(1.441A)(0.1\Omega)}{2} = 72mV$$

The Schottky diode D2 shown in Figure 1 conducts current when the pass transistor is off. In a low duty cycle case, the current rating should be the same or higher than the charge current. Also it should withstand reverse voltage as high as  $V_{IN}$ .

### Board Layout Suggestions

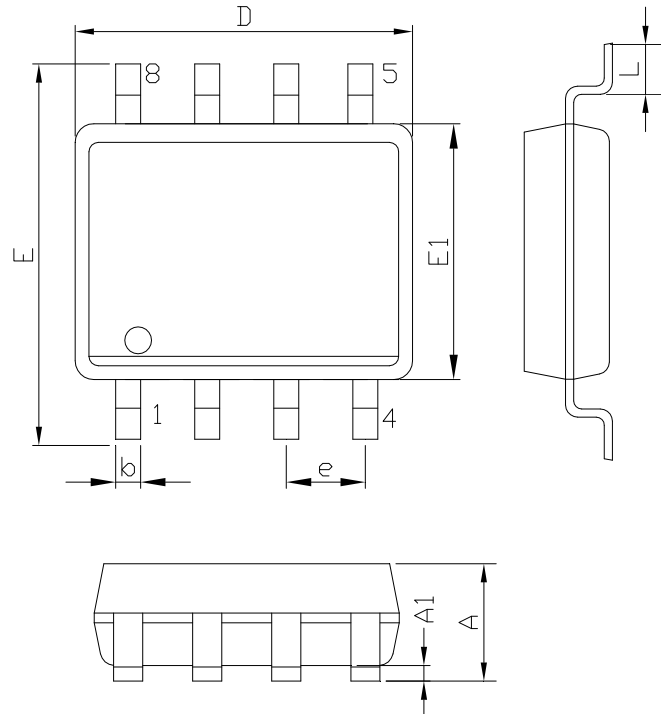
When laying out the printed circuit board, the following considerations should be taken to ensure proper operation of the EUP8209.

To minimize radiation, the catch diode and the input bypass capacitor traces should be kept as short as possible. The positive side of the input capacitor should be close to the source of the P-channel MOSFET; it provides the AC current to the pass transistor. The connection between the catch diode and the pass transistor should also be kept as short as possible. The SENSE and BAT pins should be connected directly to the sense resistor (Kelvin sensing) for best charge current accuracy. Avoid routing the NTC PC board trace near the SW switch to minimize coupling switching noise into the NTC pin.

The compensation capacitor connected at the COMP pin should return to the ground pin of the IC or as close to it as possible. This will prevent ground noise from disrupting the loop stability. The ground pin also works as a heat sink, therefore use a generous amount of copper around the ground pin. This is especially important for high  $V_{CC}$ .

## Packaging Information

### SOP-8



SYMBOLS	MILLIMETERS			INCHES		
	MIN.	Normal	MAX.	MIN.	Normal	MAX.
A	1.35	-	1.75	0.053	-	0.069
A1	0.05	-	0.25	0.002	-	0.010
D	4.80	4.90	5.00	0.189	0.193	0.197
E1	3.70	3.90	4.00	0.146	0.154	0.157
E	5.80	6.00	6.20	0.228	0.236	0.244
L	0.40	-	1.27	0.016	-	0.050
b	0.31	-	0.51	0.012	-	0.020
e	1.27 REF			0.050 REF		

## X-ON Electronics

Largest Supplier of Electrical and Electronic Components

*Click to view similar products for [Battery Management](#) category:*

*Click to view products by [Eutech](#) manufacturer:*

Other Similar products are found below :

[MP2602DQ-LF-P](#) [MP26053DQ-LF-Z](#) [MP2611GL-P](#) [NCP347MTAHTBG](#) [LM3658SD-AEV/NOPB](#) [MP2607DL-LF-P](#) [MP26121DQ-LF-P](#)  
[MP26123DR-LF-P](#) [MP2633GR-P](#) [MP2637GR-P](#) [BQ24212EVM-678](#) [NCP1855FCCT1G](#) [MP2636GR-P](#) [FAN54063UCX](#)  
[MAX14680EWC+T](#) [MAX14634EWC+T](#) [DS2745U+T&R](#) [MAX14578EETE+T](#) [DS2781EVKIT+](#) [DS2781E+T&R](#) [MP2605DQ-LF-P](#)  
[DS2710G+T&R](#) [MAX17040G+T](#) [MAX14525ETA+T](#) [MP2615GQ-P](#) [MAX14578EEWC+T](#) [LC05132C01NMTTGTG](#) [MAX8971EWP+T](#)  
[MAX14630EZK+T](#) [MAX1873TEEE+T](#) [PSC5415A](#) [AUR9811DGD](#) [SN2040DSQR](#) [DS2715BZ+T&R](#) [MAX1508ZETA+T](#)  
[MAX14921ECS+T](#) [MAX77301EWA+T](#) [BD8668GW-E2](#) [MAX16024PTBS+T](#) [DS2715Z+T&R](#) [MAX16024LTBZ18+T](#) [DS2782E+T&R](#)  
[DS2782G+T&R](#) [MAX1908ETI+T](#) [ISL95522IRZ](#) [ISL95522HRZ](#) [ARD00558](#) [NCP4371AAEDR2G](#) [BD8665GW-E2](#) [MAX8934EETI+T](#)