





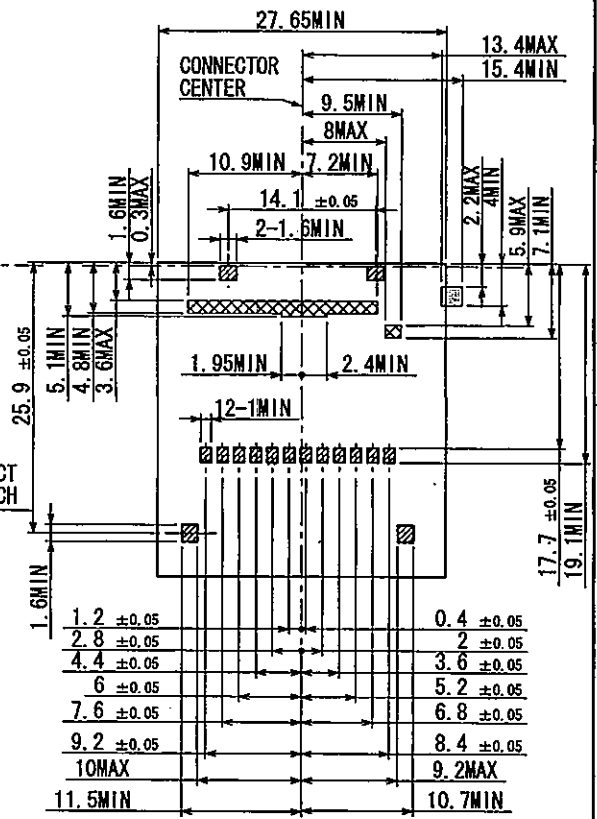
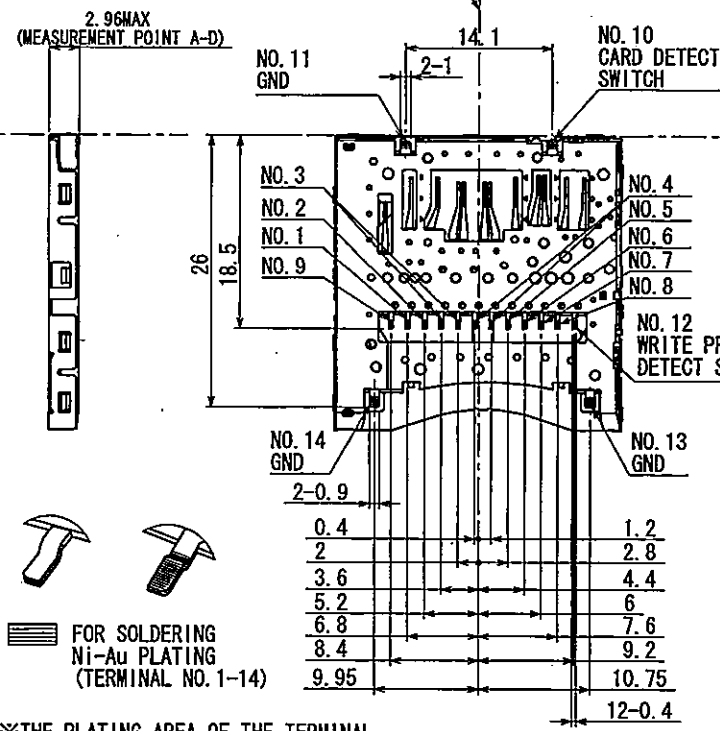
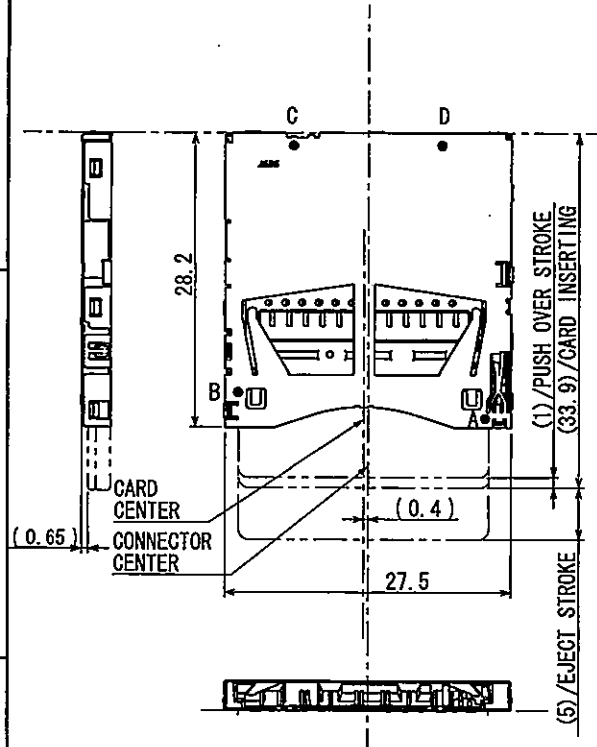
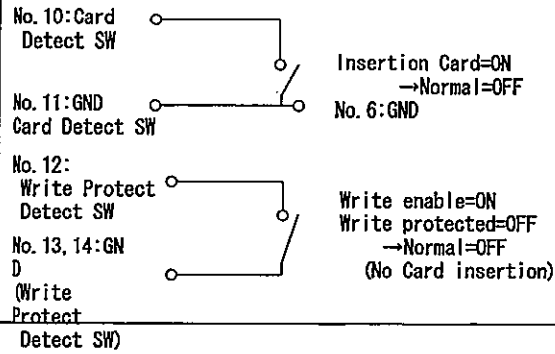
**PRELIMINARY**

Recommended P.W.B layout  
(Mounting face side)

-  LAND
-  NO PART AREA
-  NO PATTERN AREA
-  NO PATTERN EXPOSE AREA

BACK GROUND
SCDA9A0500

**Circuit Diagram for Detect SW**



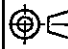
 FOR SOLDERING Ni-Au PLATING (TERMINAL NO. 1-14)

※THE PLATING AREA OF THE TERMINAL FOR SOLDERING IS P.W.B CONTACT SIDE & SIDE SURFACE

NOTES 1) ALL TERMINALS COPLANARITY:0.1MAX. (INITIAL)  
2) THE HEIGHT OF THE PRODUCT IS MEASURED WITH DIGITAL HEIGHT GAUGE.

TOLERANCES UNLESS OTHERWISE SPEC	
BASIC DIMENSIONS	TOLERANCES
UP TO 10	±0.3
ABOVE 10 TO 100	±0.5
ABOVE 100	±0.8
ANGULAR DIMENSION	±5°

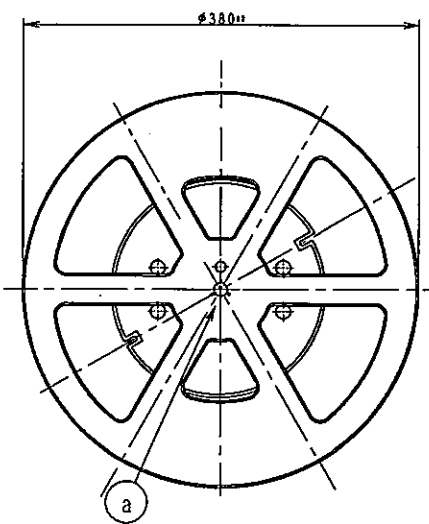
**ALPS ELECTRIC CO., LTD.**

DSGD. Oct. 26, 2010 H. SASAKI	SCALE	NO.
CHKD. Oct. 26, 2010 I. G. Yoshida		TITLE PRODUCT DRAWING (1/2)
APPD. Oct. 26, 2010 I. G. Yoshida	UNIT mm	DOCUMENT NO. SCDA9A0500, AE12, 003

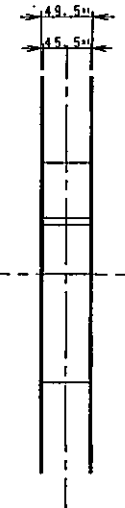
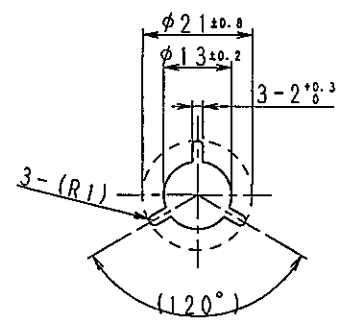
FOLD 5

**PRELIMINARY**

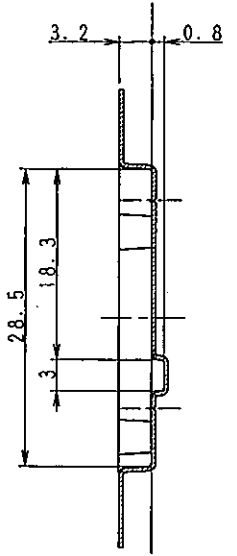
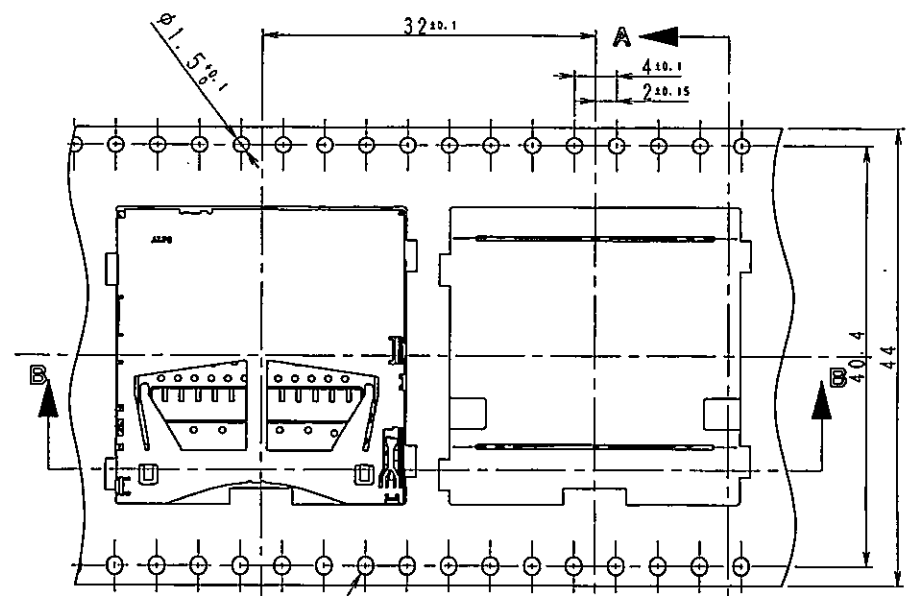
REEL CORE (1:5)



DETAIL @ (1:1)

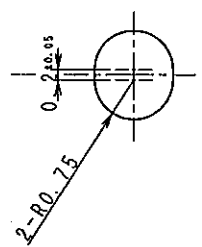


CARRIER TAPE (2:1)

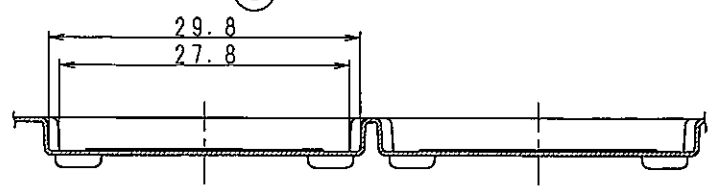


SEC A-A

DETAIL @ (10:1)



SEC B-B



NOTE 1. SPECIFICATION OF TAPING: TAPE-S-013

TOLERANCES UNLESS OTHERWISE SPEC.	
10 UNDER	±0.3
ABOVE 10 TO 100	±0.5
ANGULAR DIMENSION	±3°

ZONE	SYMB	DATE	APPD	CHKD	DSGD

**ALPS ELECTRIC CO., LTD.**

DSGD. Oct. 26, 2010 H. SASAKI	SCALE /	MODEL No. (製品号) SCDA9A0500 (2/2)
CHKD. <i>Oct. 26, 2010</i> <i>H. Sasaki</i>		TITLE (TAPING) PRODUCT DRAWING (製品図)
APPD. <i>Oct. 26, 2010</i> <i>H. Sasaki</i>	UNIT mm	DOCUMENT NO. SCDA9A0500, AE22, 003

FOLD 5

## X-ON Electronics

Largest Supplier of Electrical and Electronic Components

*Click to view similar products for [Standard Card Edge Connectors](#) category:*

*Click to view products by [ALPS](#) manufacturer:*

Other Similar products are found below :

[6565204-6](#) [PKC-156](#) [1437274-4](#) [147889-1](#) [1489165-4](#) [EBT156-12B1X](#) [EBT15622B2X](#) [EBT156-22R2W](#) [1-582587-1](#) [1-582589-1](#) [2-6437275-9](#) [284-0102-12100](#) [306022901000000](#) [307-012-502-202](#) [307-024-526-201](#) [307-056-520-300](#) [307-080-526-208](#) [1926088-2](#) [245-062-520-350](#) [287-0032-12101](#) [306-010-500-112](#) [306-028-525-102](#) [306-240-318](#) [307-036-502-202](#) [307-036-521-301](#) [307-072-526-202](#) [345-060-559-303](#) [368-004-520-201](#) [392-008-559-201](#) [534671-1](#) [5-530501-5](#) [341-240-317](#) [345-029-520-300](#) [345-030-500-301](#) [345-044-500-300](#) [345-220-058](#) [346-240-318](#) [357-030-526-201](#) [387-012-523-300](#) [395-044-520-300](#) [395-100-524-300](#) [50-12B-10](#) [50-6SN-5](#) [09-07-2032](#) [10035388-106LF](#) [10035388-802LF](#) [10115859-011LF](#) [10122859-009LF](#) [101269333204245CLF](#) [10127905-B04B24BLF](#)