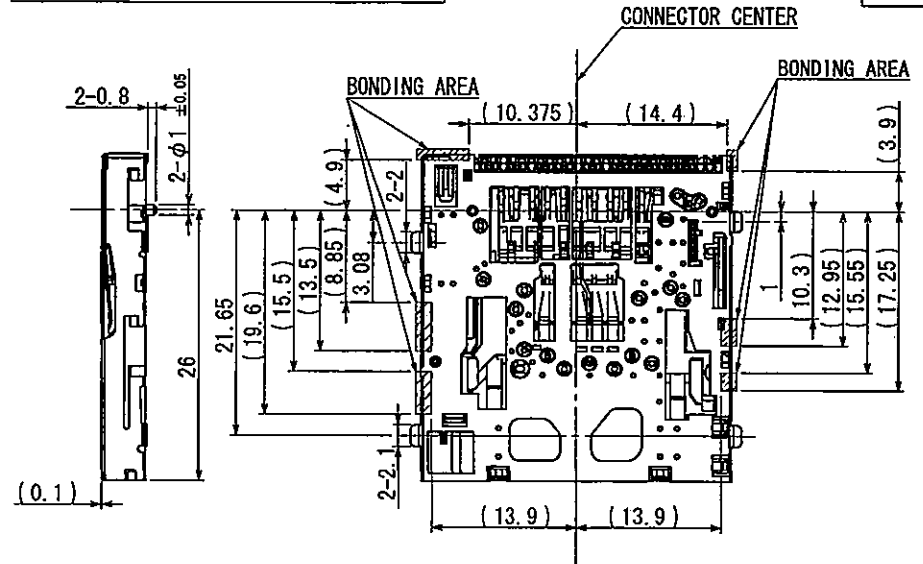
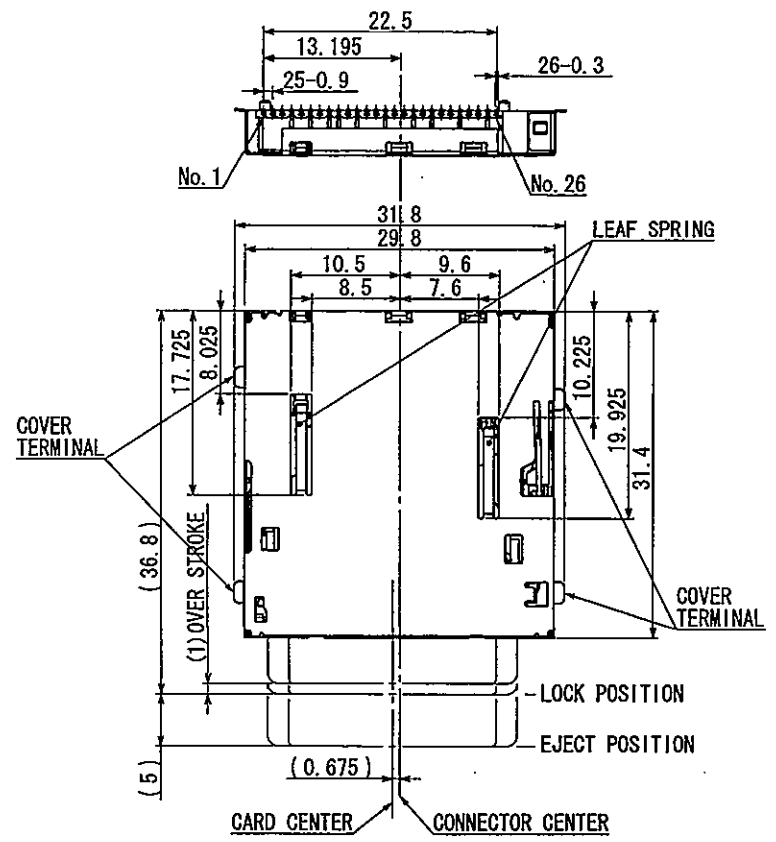
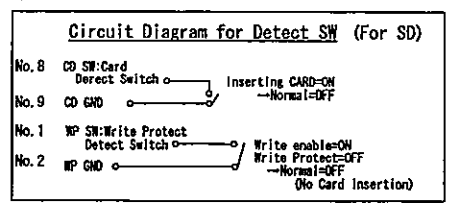


背景  
BACK GROUND  
MDD1003087  
Description correction  
correction of errors

PRELIMINARY

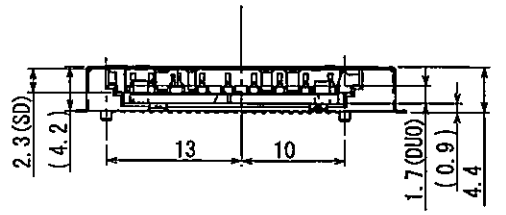


PIN No.2(SD WP-GND) is internally connected to COVER TERMINL in this connector

PIN ASSIGN TABLE

No.	FOR	Pin assign	Function
1	SD	WP	SD-WP
2	SD	GND	WP-GND
3	Duo	Pin12	DATA4
4	SD	#8	SD-DAT1
5	Duo	Pin11	DATA5
6	SD/MMC	#7	SD-DAT0 MMC-DAT
7	Duo	Pin1	VSS
8	SD	CD	SD-CD
9	SD/MMC	#6	SD-VSS MMC-VSS2
10	Duo	Pin2	BS
11	SD/MMC	#5	SD-CLK MMC-CLK
12	Duo	Pin3	DATA1
13	Duo	Pin4	DATA0

No.	FOR	Pin assign	Function
14	SD/MMC	#4	SD-VDD MMC-VDD
15	Duo	Pin5	DATA2
16	Duo	Pin6	INS
17	SD/MMC	#3	SD-VSS MMC-VSS1
18	Duo	Pin7	DATA3
19	SD	#2	SD-CMD MMC-CMD
20	Duo	Pin8	SCLK
21	Duo	Pin9	VCC
22	SD/MMC	#1	SD-CD/DAT3 MMC-RSV
23	Duo	Pin10	VSS
24	Duo	Pin14	DATA7
25	SD	#9	SD-DAT2
26	Duo	Pin13	DATA6



TOLERANCES UNLESS OTHERWISE SPEC

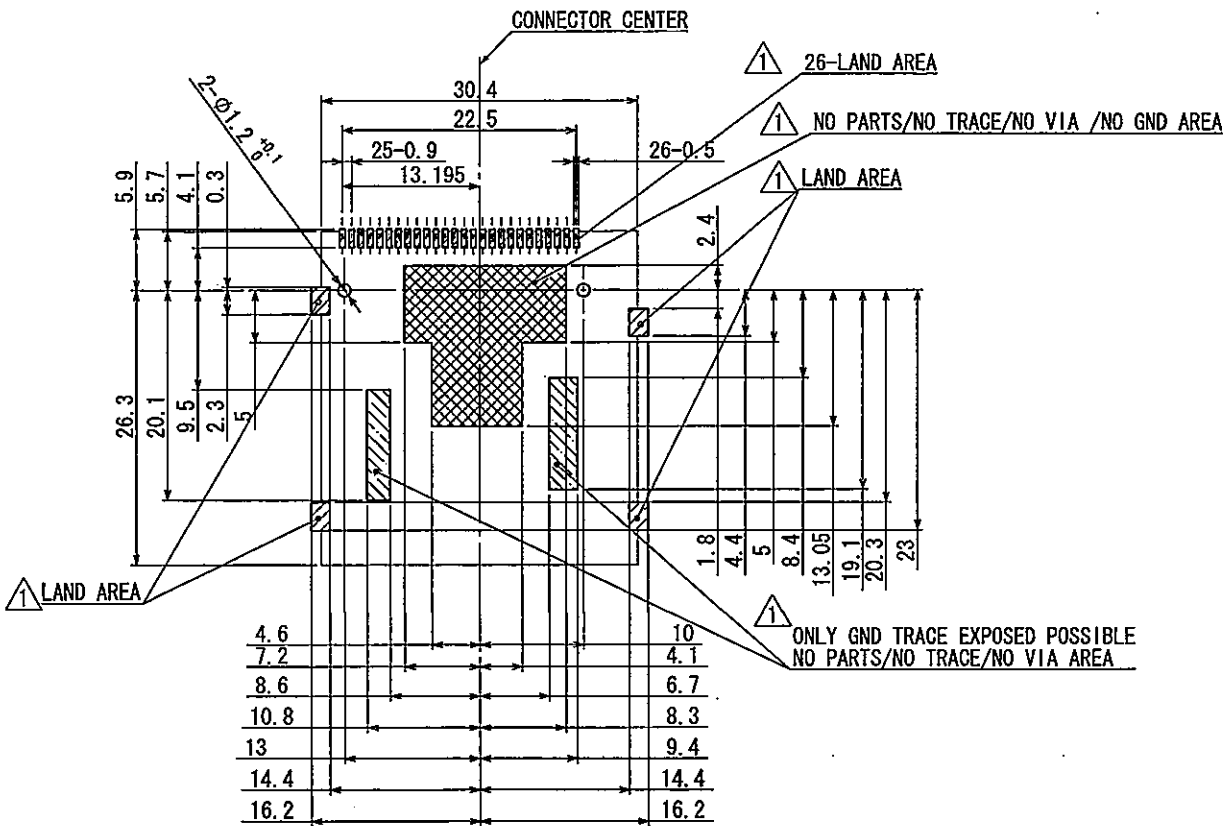
BASIC DIMENSIONS	TOLERANCES
UP TO 10	±0.3
ABOVE 10 TO 100	±0.5
ABOVE 100	±0.8
ANGULAR DIMENSION	±5°

ALPS ELECTRIC CO., LTD.

DSGD.	Nov. 10. 2010 T. Matsushita	SCALE	NO.
CHKD.	Nov. 10. 2010 T. Tanaka		TITLE
APFD.	Nov. 10. 2010 Y. Kuroda		PRODUCT DRAWING (1/3)
		UNT	DOCUMENT NO.
		mm	SCDG3A0101, AE13, 023

Note. Coplanarity 0.1max

PRELIMINARY

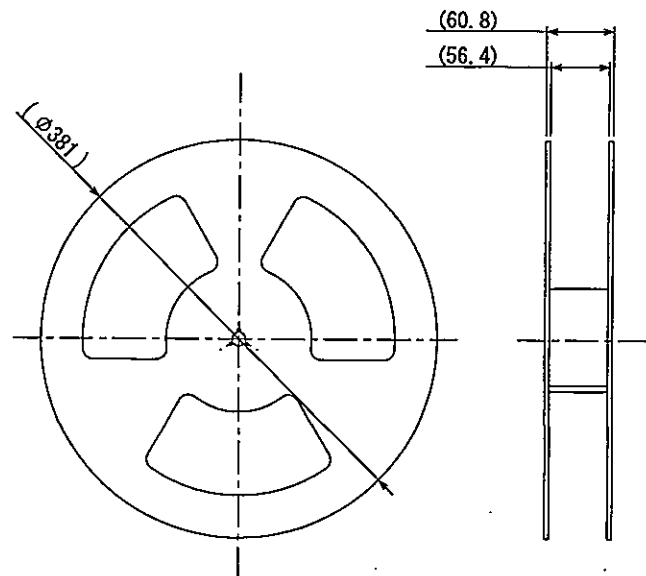


- LAND AREA
- NO PARTS AREA
- NO PARTS/NO TRACE/NO VIA /NO GND AREA
- ONLY GND TRACE EXPOSED POSSIBLE  
NO PARTS/NO TRACE/NO VIA AREA

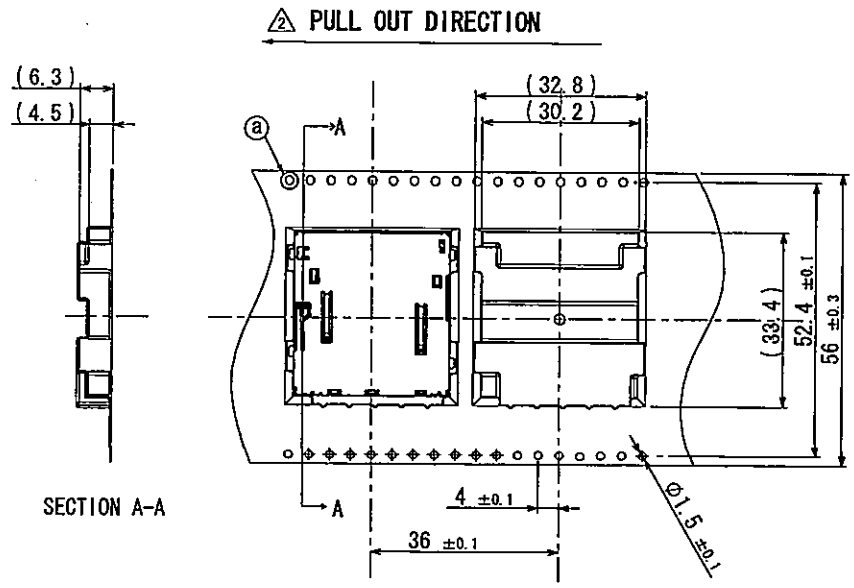
RECOMMENDED P. C. BOARD LAYOUT  
ALL TOLERANCE UNDESCRIBED ARE ±0.05

TOLERANCES UNLESS OTHERWISE SPEC						<b>ALPS ELECTRIC CO., LTD.</b>	
BASIC DIMENSIONS	TOLERANCES	DSGD.	Nov. 10. 2010 T. Matsushita	SCALE	NO.	SCDG3A0101	
UP TO 10	±0.3	CHKD.	Nov. 10. 2010 T. Tanaka		TITLE	PRODUCT DRAWING (2/3)	
ABOVE 10 TO 100	±0.5	APPD.	Nov. 10. 2010 Y. Kuroda	LINT	DOCUMENT NO.	SCDG3A0101, AE23, 023	
ABOVE 100	±0.8	SYMB	DATE	APPD	CHKD	DSGD	
ANGULAR DIMENSION	±5°						

**PRELIMINARY**

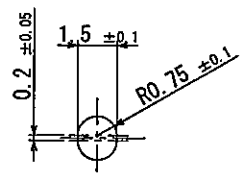


REEL CORE



SECTION A-A

CARRIER TAPE (1:1)



Detail of a

2. Specification of taping : TAPE-S-049  
 Note 1. 300pcs/reel

					<b>ALPS ELECTRIC CO., LTD.</b>				
					DSGD.	Nov. 10. 2010 T. Matsushita	SCALE	NO.	SCDG3A0101
					CHKD.	Nov. 10. 2010 T. Tanaka		TITLE	(3/3)
					APPD.	Nov. 10. 2010 Y. Kuroda	UNT	DOCUMENT NO.	SCDG3A0101, AE33, 023
SYMB	DATE	APPD	CHKD	DSGD			mm		

## X-ON Electronics

Largest Supplier of Electrical and Electronic Components

*Click to view similar products for [Standard Card Edge Connectors](#) category:*

*Click to view products by [ALPS](#) manufacturer:*

Other Similar products are found below :

[6565204-6](#) [PKC-156](#) [1437274-4](#) [147889-1](#) [1489165-4](#) [EBT156-12B1X](#) [EBT15622B2X](#) [EBT156-22R2W](#) [1-582587-1](#) [1-582589-1](#) [2-6437275-9](#) [284-0102-12100](#) [306022901000000](#) [307-012-502-202](#) [307-024-526-201](#) [307-056-520-300](#) [307-080-526-208](#) [1926088-2](#) [245-062-520-350](#) [287-0032-12101](#) [306-010-500-112](#) [306-028-525-102](#) [306-240-318](#) [307-036-502-202](#) [307-036-521-301](#) [307-072-526-202](#) [345-060-559-303](#) [368-004-520-201](#) [392-008-559-201](#) [534671-1](#) [5-530501-5](#) [341-240-317](#) [345-029-520-300](#) [345-030-500-301](#) [345-044-500-300](#) [345-220-058](#) [346-240-318](#) [357-030-526-201](#) [387-012-523-300](#) [395-044-520-300](#) [395-100-524-300](#) [50-12B-10](#) [50-6SN-5](#) [09-07-2032](#) [10035388-106LF](#) [10035388-802LF](#) [10115859-011LF](#) [10122859-009LF](#) [101269333204245CLF](#) [10127905-B04B24BLF](#)