

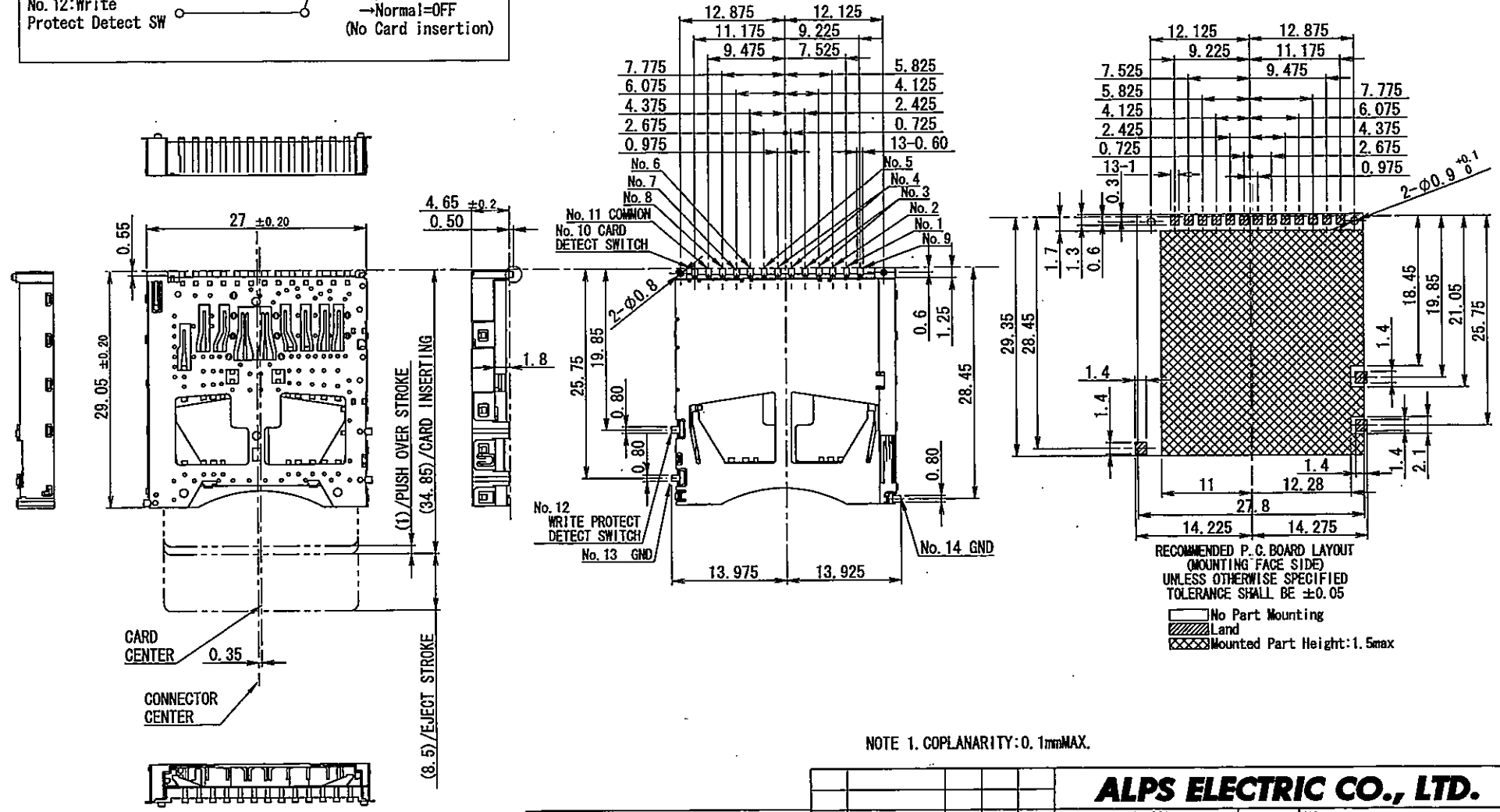
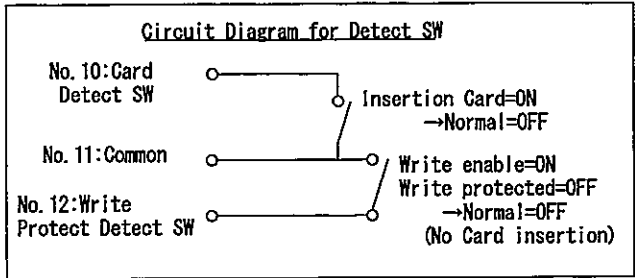
ME-CHECK:

ST-CHECK:

PE-CHECK:

背景
BACK GROUND
SCDA5A0203
DESIGN CORRECTION

PRELIMINARY



RECOMMENDED P. C. BOARD LAYOUT  
(MOUNTING FACE SIDE)  
UNLESS OTHERWISE SPECIFIED  
TOLERANCE SHALL BE  $\pm 0.05$

NOTE 1. COPLANARITY: 0.1mmMAX.

TOLERANCES UNLESS OTHERWISE SPEC				DSGD. SEP. 24, 2008				SCALE		NO.	
BASIC DIMENSIONS				S. Arakawa				/		SCDA5A0203 (1/2)	
UP TO 10				CHKD. SEP. 25, 2008				⊕		TITLE	
ABOVE 10 TO 100				W. Oguchi				⊕		Product Drawing (製品図)	
ABOVE 100				APPD. SEP. 25, 2008				UNIT		DOCUMENT NO.	
ANGULAR DIMENSION				Y. Kuroda				mm		SCDA5A0203, AE12, 013	
SYMB				DATE				APPD		CHKD	
2				2008. 10. 01				YK		W.O	
				S. A							

ALPS ELECTRIC CO., LTD.

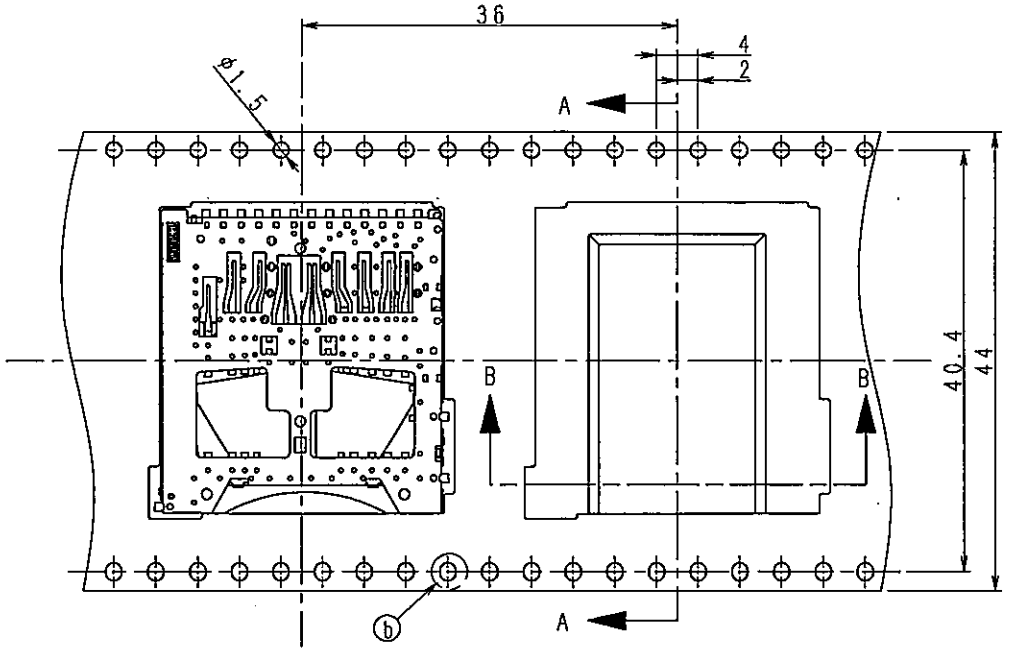
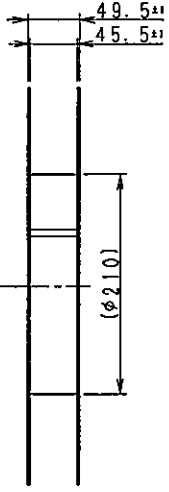
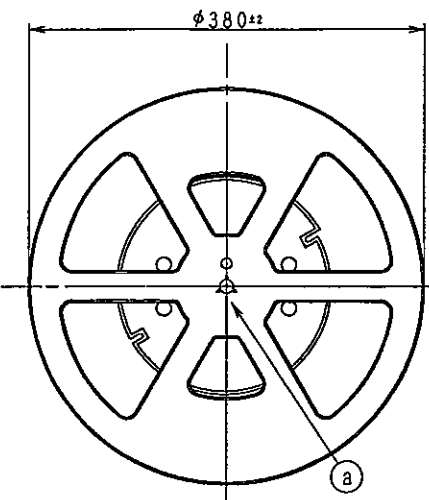
3D-MODEL  
2D-DRAWING

FOLD 5

**PRELIMINARY**

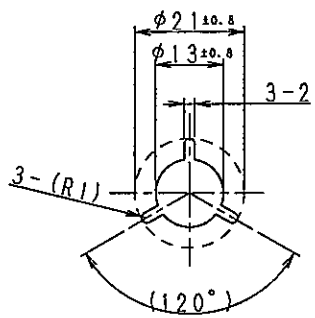
△ REEL CORE (1:5)

CARRIER TAPE (2:1)

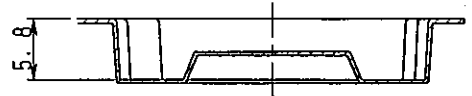


SECT A-A

DETAIL (a) (1:1)

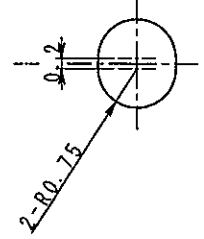


DRAWING DIRECTION



SECT B-B

DETAIL (b) (10:1)



NOTE 1. SPECIFICATION OF TAPING: TAPE-S-013

TOLERANCES UNLESS OTHERWISE SPEC.						<b>ALPS ELECTRIC CO., LTD.</b>		
BASIC DIMENSION	TOLERANCE	▲				DSGD. SEP. 24, 2008	SCALE	MODEL No. (模型号)
UP TO 10	±0.3	▲				S. Arakawa	1:1	SCDA5A0203 (2/2)
ABOVE 10 TO 100	±0.5	▲				CHKD. SEP. 25, 2008	⊕	TITLE (TAPING)
ABOVE 100	±0.8	▲				W. Oguchi	⊕	PRODUCT DRAWING (製品図)
ANGULAR DIMENSION	±3°	▲				APPD. SEP. 25, 2008	UNIT	DOCUMENT NO.
		ZONE SYMB	DATE	APPD	CHKD	DSGD	mm	SCDA5A0203. AE22. 013

FOLD 5

## X-ON Electronics

Largest Supplier of Electrical and Electronic Components

*Click to view similar products for [Standard Card Edge Connectors](#) category:*

*Click to view products by [ALPS](#) manufacturer:*

Other Similar products are found below :

[6565204-6](#) [PKC-156](#) [1437274-4](#) [147889-1](#) [1489165-4](#) [EBT156-12B1X](#) [EBT15622B2X](#) [EBT156-22R2W](#) [1-582587-1](#) [1-582589-1](#) [2-6437275-9](#) [284-0102-12100](#) [306022901000000](#) [307-012-502-202](#) [307-024-526-201](#) [307-056-520-300](#) [307-080-526-208](#) [1926088-2](#) [245-062-520-350](#) [287-0032-12101](#) [306-010-500-112](#) [306-028-525-102](#) [306-240-318](#) [307-036-502-202](#) [307-036-521-301](#) [307-072-526-202](#) [345-060-559-303](#) [368-004-520-201](#) [392-008-559-201](#) [534671-1](#) [5-530501-5](#) [341-240-317](#) [345-029-520-300](#) [345-030-500-301](#) [345-044-500-300](#) [345-220-058](#) [346-240-318](#) [357-030-526-201](#) [387-012-523-300](#) [395-044-520-300](#) [395-100-524-300](#) [50-12B-10](#) [50-6SN-5](#) [09-07-2032](#) [10035388-106LF](#) [10035388-802LF](#) [10115859-011LF](#) [10122859-009LF](#) [101269333204245CLF](#) [10127905-B04B24BLF](#)