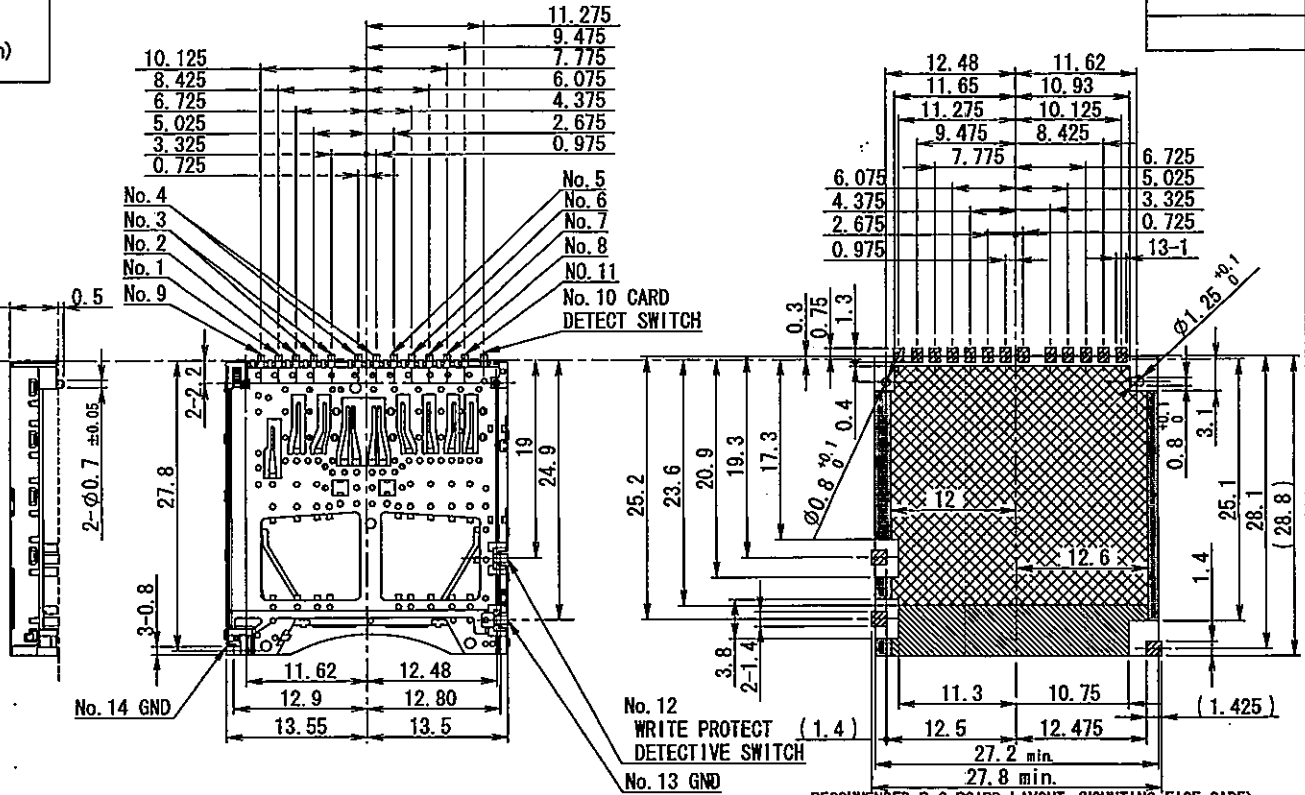
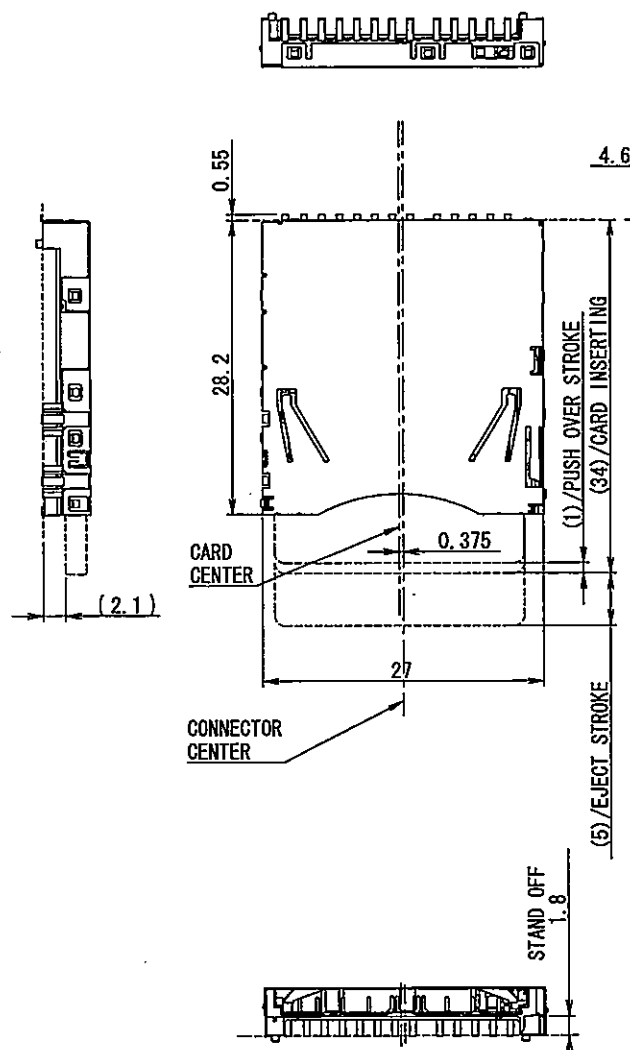
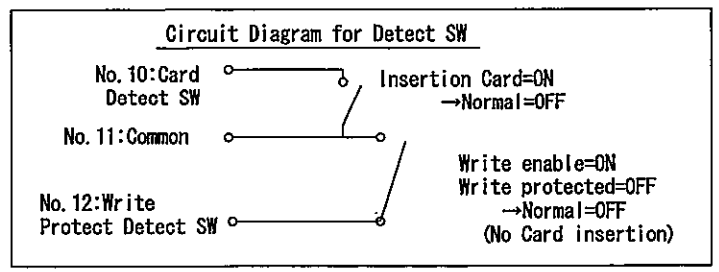


背景
SCDA4A0600

PRELIMINARY



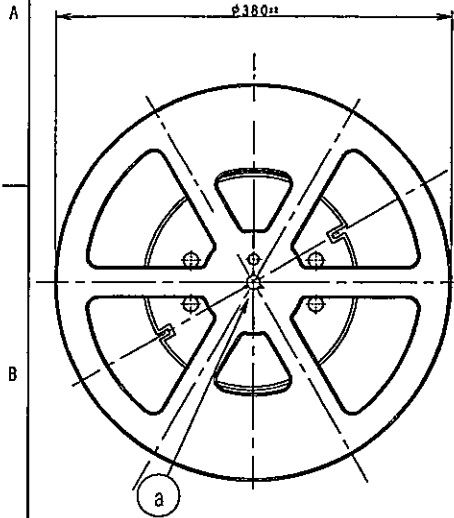
RECOMMENDED P.C BOARD LAYOUT (MOUNTING FACE SIDE)
UNLESS OTHERWISE SPECIFIED
TOLERANCE SHALL BE ±0.05

- No Part Area
- Land
- Mounting Area 1.5mm Max.
- Mounting Area 1.2mm Max.
- Mounting Area 1.0mm Max.

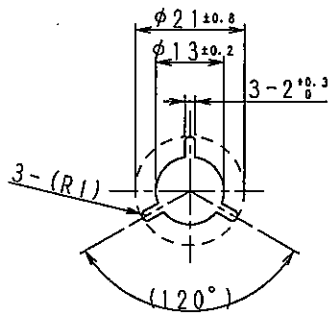
NOTES 1) ALL TERMINALS COPLANARITY:0.1MAX. (INITIAL)

TOLERANCES UNLESS OTHERWISE SPEC		DSGD. Jul. 24, 2007	SOLE	NO.
BASIC DIMENSIONS		M. OHNO		SCDA4A0600 (1/2)
UP TO 10	±0.3	CHKD. Jul. 24, 2007		TITLE
ABOVE 10 TO 100	±0.5	M. Oguchi		PRODUCT DRAWING
ABOVE 100	±0.8	APPD. July 27, 2007		UNIT
ANGULAR DIMENSION	±5'	Y. Kuroda	mm	DOCUMENT NO.
				SCDA4A0600, AE12, 003

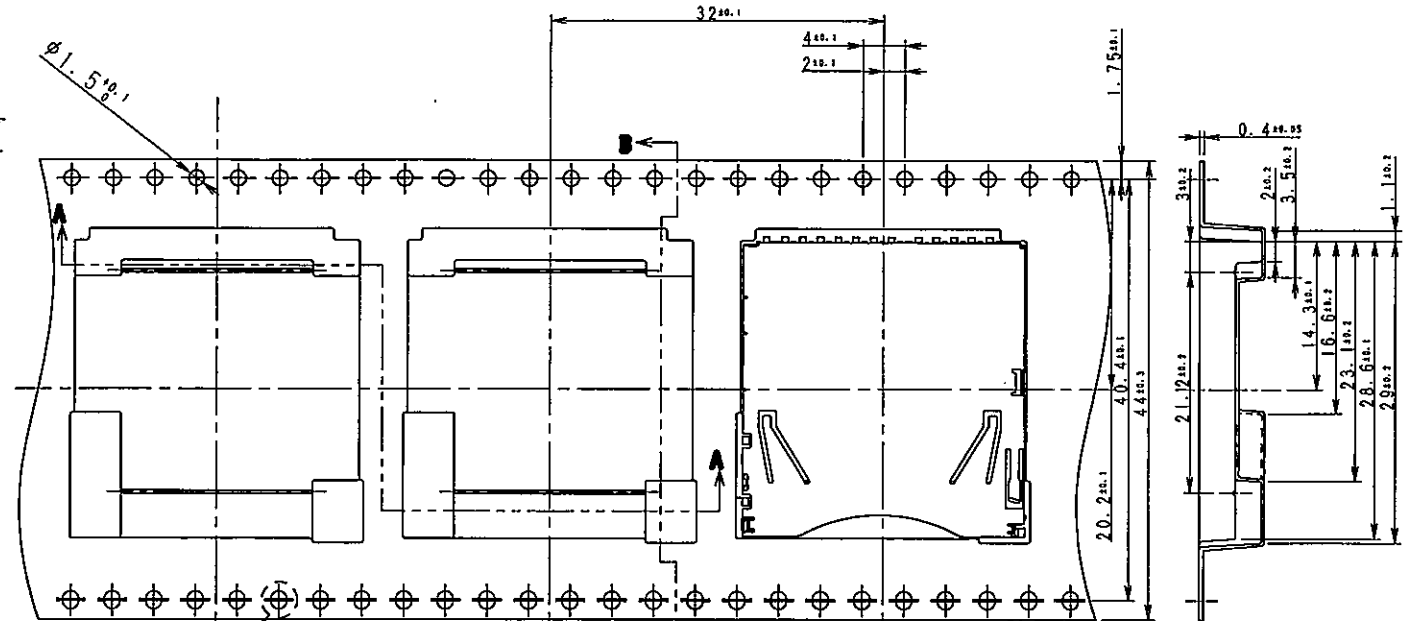
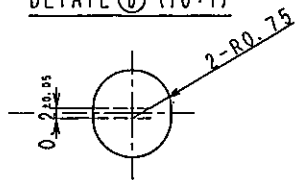
REEL CORE (1:5)



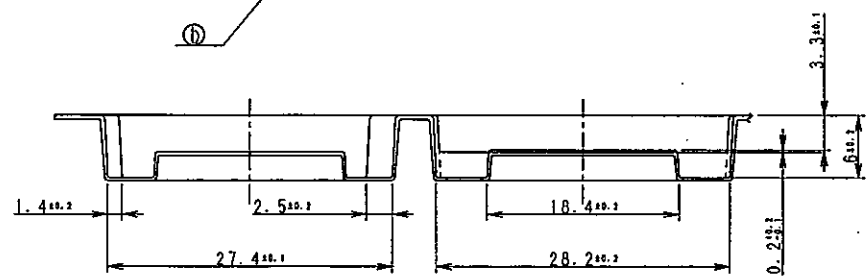
DETAIL (a) (1:1)



DETAIL (b) (10:1)



SECTION B-B



SECTION A-A

PRELIMINARY

NOTE 1. SPECIFICATION OF TAPING: TAPE-S-013

TOLERANCES UNLESS OTHERWISE SPEC				ZONE SYMB DATE APPD CHKD DSGD	ALPS ELECTRIC CO., LTD.		DSGD. Jul. 24, 2007	SCALE :	MODEL No. (製品番号)
10 UNDER	±0.3				CHKD. <i>Jul 24, 2007</i>		SCDA4A0600 (2/2)		
ABOVE 10 TO 100	±0.5				APPD. <i>July 24, 2007</i>		TITLE		
ANGULAR DIMENTION	±3°				<i>Kuroda</i>	PRODUCT DRAWING (製品図)			
					UNIT	DOCUMENT NO.			
					mm	SCDA4A0600, AE22.003			

X-ON Electronics

Largest Supplier of Electrical and Electronic Components

Click to view similar products for [Standard Card Edge Connectors](#) category:

Click to view products by [ALPS](#) manufacturer:

Other Similar products are found below :

[6565204-6](#) [PKC-156](#) [1437274-4](#) [147889-1](#) [1489165-4](#) [EBT156-12B1X](#) [EBT15622B2X](#) [EBT156-22R2W](#) [1-582587-1](#) [1-582589-1](#) [2-6437275-9](#) [284-0102-12100](#) [306022901000000](#) [307-012-502-202](#) [307-024-526-201](#) [307-056-520-300](#) [307-080-526-208](#) [1926088-2](#) [245-062-520-350](#) [287-0032-12101](#) [306-010-500-112](#) [306-028-525-102](#) [306-240-318](#) [307-036-502-202](#) [307-036-521-301](#) [307-072-526-202](#) [345-060-559-303](#) [368-004-520-201](#) [392-008-559-201](#) [534671-1](#) [5-530501-5](#) [341-240-317](#) [345-029-520-300](#) [345-030-500-301](#) [345-044-500-300](#) [345-220-058](#) [346-240-318](#) [357-030-526-201](#) [387-012-523-300](#) [395-044-520-300](#) [395-100-524-300](#) [50-12B-10](#) [50-6SN-5](#) [09-07-2032](#) [10035388-106LF](#) [10035388-802LF](#) [10115859-011LF](#) [10122859-009LF](#) [101269333204245CLF](#) [10127905-B04B24BLF](#)