

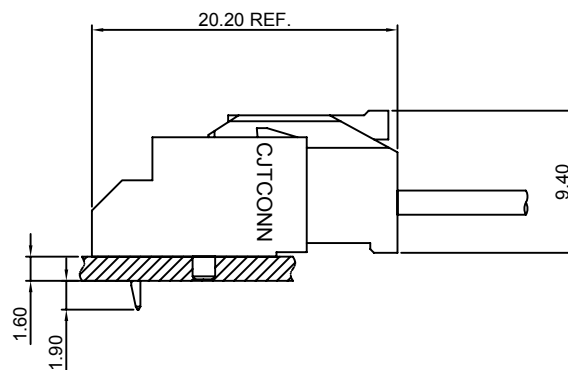
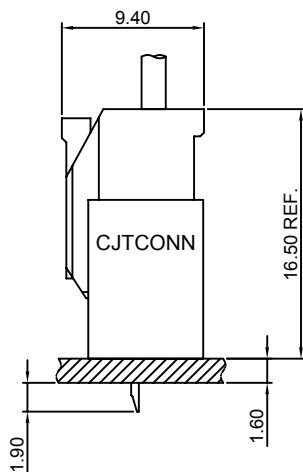
## Specifications

- Current rating: 5.5A AC, DC (Max)
- Voltage rating: 250V AC, DC
- Temperature range: -40°C ~ +105°C
- Contact resistance: 10mΩ Max.
- Insulation resistance: 1000MΩ Min.
- Withstanding voltage: 1500V AC/minute
- \*Compliant with RoHS and REACH\*
- \*Meet the HF/Halogen Free, GWT/Glow wire Test (IEC60335-1) request, need to customize\*
- \*Contact CJT for details\*

## Standards



## Assembly layout



### A3502H-XP

3.50mm Pitch Housing

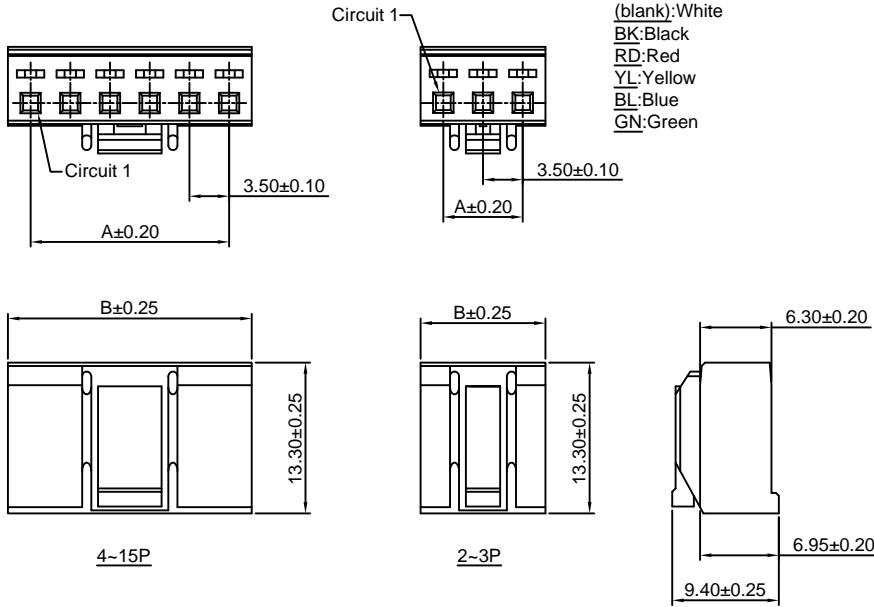
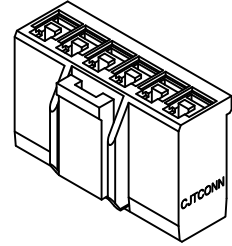
**Reference Informations:**

- \*Material:Nylon 66,UL94V-0
- \*Suitable CJT A3965-T series Terminal
- \*Mates with CJT A3502WV,WR-XP(-A) series Wafer
- \*Color:White

**Ordering Information:**

A3502H-XP - \*\*\* - \*\*  
 1 2 3

- 1.Part No.
- 2.Material:  
 (blank):Nylon 66,UL94V-0  
 PBT:PBT,UL94V-0  
 GWT:Nylon 66,UL94V-0,GWT 750°C
- 3.Color:  
 (blank):White  
 BK:Black  
 RD:Red  
 YL:Yellow  
 BL:Blue  
 GN:Green



**Ordering Information & Dimensions:**

PART NO.	Dimensions	
	A	B
2P	3.50	7.50
3P	7.00	11.00
4P	10.50	14.50
5P	14.00	18.00
6P	17.50	21.50
7P	21.00	25.00
8P	24.50	28.50
9P	28.00	32.00
10P	31.50	35.50
11P	35.00	39.00
12P	38.50	42.50
13P	42.00	46.00
14P	45.50	49.50
15P	49.00	53.00

Unit: mm

### A3502WV-XP

3.50mm Pitch 180° WAFER

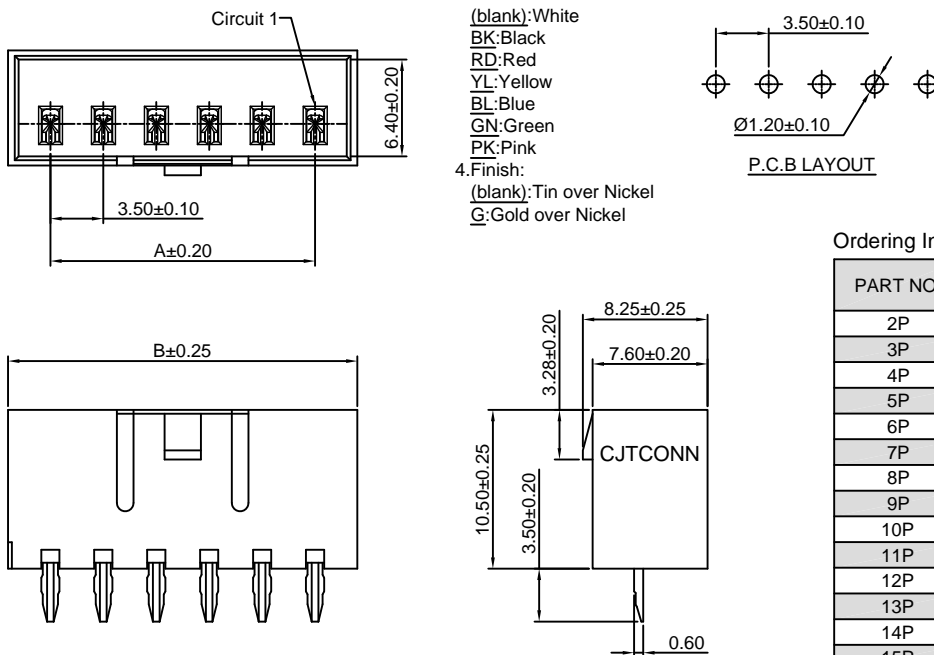
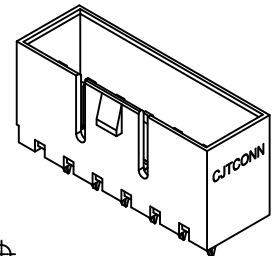
**Reference Informations:**

- \*Material:Pin:Brass/Tin over Nickel  
 Insulator:PBT+15%GF,UL94V-0
- \*Mates with CJT A3502H-XP series Housing
- \*Color:White

**Ordering Information:**

A3502WV-XP - \*\*\* - \*\* - \*\*  
 1 2 3 4

- 1.Part No.
- 2.Material:  
 (blank):PBT+15%GF,UL94V-0  
 GWT:PBT,UL94V-0,GWT 750°C
- 3.Color:  
 (blank):White  
 BK:Black  
 RD:Red  
 YL:Yellow  
 BL:Blue  
 GN:Green  
 PK:Pink
- 4.Finish:  
 (blank):Tin over Nickel  
 G:Gold over Nickel



**Ordering Information & Dimensions:**

PART NO.	Dimensions	
	A	B
2P	3.50	9.10
3P	7.00	12.60
4P	10.50	16.10
5P	14.00	19.60
6P	17.50	23.10
7P	21.00	26.60
8P	24.50	30.10
9P	28.00	33.60
10P	31.50	37.10
11P	35.00	40.60
12P	38.50	44.10
13P	42.00	47.60
14P	45.50	51.10
15P	49.00	54.60

Unit: mm

### A3502WV-XP-A

7.00mm Pitch 180° WAFER

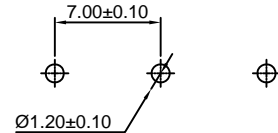
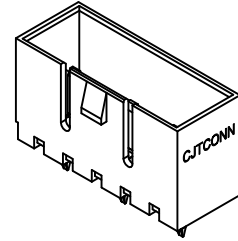
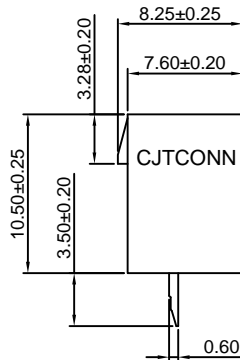
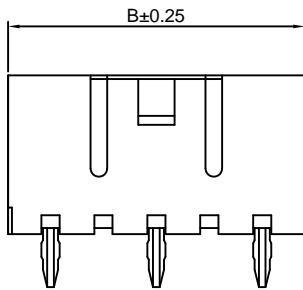
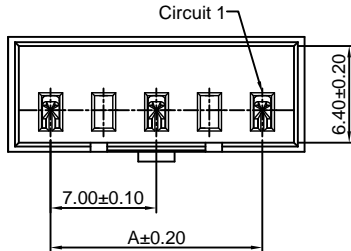
**Reference Informations:**

- \*Material:Pin:Brass/Tin over Nickel  
Insulator:PBT+15%GF,UL94V-0
- \*Mates with CJT A3502H-XP series Housing
- \*Color:White

**Ordering Information:**

A3502WV-XP-A - \*\*\* - \*\* - \*\*  
1 2 3 4

- 1.Part No.
- 2.Material:  
(blank):PBT+15%GF,UL94V-0  
GWT:PBT,UL94V-0,GWT 750°C
- 3.Color:  
(blank):White  
BK:Black  
RD:Red  
YL:Yellow  
BL:Blue  
GN:Green  
PK:Pink
- 4.Finish:  
(blank):Tin over Nickel  
G:Gold over Nickel



P.C.B LAYOUT

**Ordering Information & Dimensions:**

PART NO.	Dimensions	
	A	B
3P	7.00	12.60
5P	14.00	19.60
7P	21.00	26.60
9P	28.00	33.60
11P	35.00	40.60
13P	42.00	47.60
15P	49.00	54.60

Unit: mm

### A3502WR-XP

3.50mm Pitch 90° WAFER

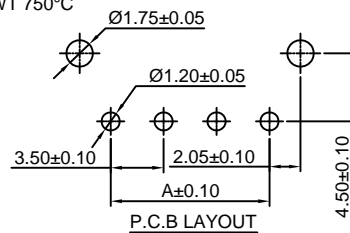
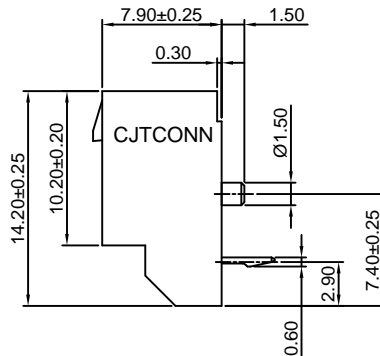
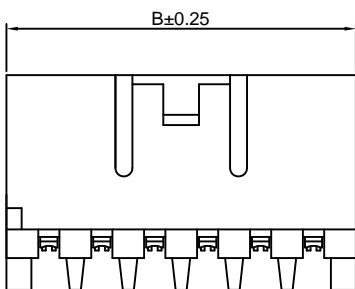
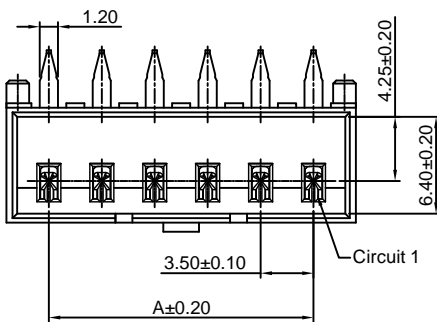
**Reference Informations:**

- \*Material:Pin:Brass/Tin over Nickel  
Insulator:PBT+15%GF,UL94V-0
- \*Mates with CJT A3502H-XP series Housing
- \*Color:White

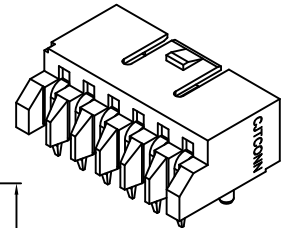
**Ordering Information:**

A3502WR-XP - \*\*\* - \*\* - \*\*  
1 2 3 4

- 1.Part No.
- 2.Material:  
(blank):PBT+15%GF,UL94V-0  
GWT:PBT,UL94V-0,GWT 750°C
- 3.Color:  
(blank):White  
BK:Black  
RD:Red  
YL:Yellow  
BL:Blue  
GN:Green  
PK:Pink
- 4.Finish:  
(blank):Tin over Nickel  
G:Gold over Nickel



P.C.B LAYOUT



**Ordering Information & Dimensions:**

PART NO.	Dimensions	
	A	B
2P	3.50	9.10
3P	7.00	12.60
4P	10.50	16.10
5P	14.00	19.60
6P	17.50	23.10
7P	21.00	26.60
8P	24.50	30.10
9P	28.00	33.60
10P	31.50	37.10
11P	35.00	40.60
12P	38.50	44.10
13P	42.00	47.60
14P	45.50	51.10
15P	49.00	54.60

Unit: mm

## A3502WR-XP-A

7.00mm Pitch 90° WAFER

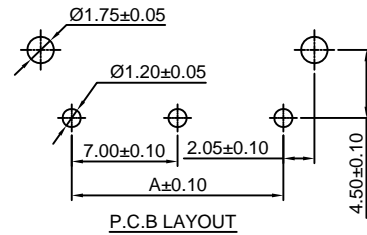
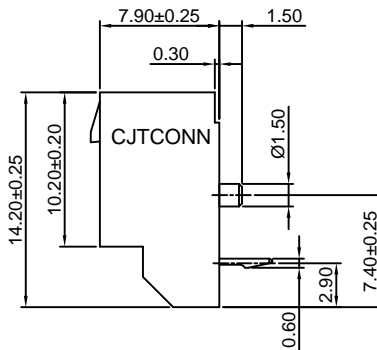
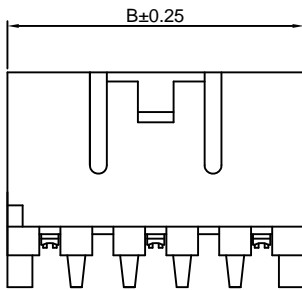
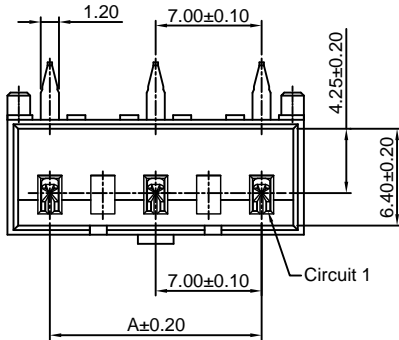
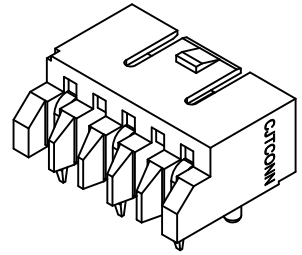
### Reference Informations:

- \*Material: Pin: Brass/Tin over Nickel  
Insulator: PBT+15%GF, UL94V-0
- \*Mates with CJT A3502H-XP series Housing
- \*Color: White

### Ordering Information:

A3502WR-XP-A - \*\*\* - \*\* - \*\*  
1 2 3 4

1. Part No.
2. Material:  
(blank): PBT+15%GF, UL94V-0  
GWT: PBT, UL94V-0, GWT 750°C
3. Color:  
(blank): White  
BK: Black  
RD: Red  
YL: Yellow  
BL: Blue  
GN: Green  
PK: Pink
4. Finish:  
(blank): Tin over Nickel  
G: Gold over Nickel



### Ordering Information & Dimensions:

PART NO.	Dimensions	
	A	B
3P	7.00	12.60
5P	14.00	19.60
7P	21.00	26.60
9P	28.00	33.60
11P	35.00	40.60
13P	42.00	47.60
15P	49.00	54.60

Unit: mm

## X-ON Electronics

Largest Supplier of Electrical and Electronic Components

*Click to view similar products for [Headers & Wire Housings](#) category:*

*Click to view products by [Changjiang](#) manufacturer:*

Other Similar products are found below :

[95000-104TRLF](#) [10135584-644402LF](#) [DF62W-EP2022PCA](#) [95000-106TRLF](#) [DF62W-2022SCA](#) [DF62W-EP2022PC](#) [2203348](#) [DF62W-2022SC](#) [1084018](#) [1029039](#) [1084017](#) [802-10-012-10-002000](#) [1112640](#) [1112639](#) [891-007-9SS-BST1T](#) [000-34000](#) [0008550134](#) [0009482033](#) [0009507031](#) [57102-F02-18ULF](#) [57102-S06-03LF](#) [57202-S52-04LF](#) [PCN6-15S-2.5E](#) [0039019024](#) [58102-G61-06LF](#) [582553-1](#) [0009485154](#) [0009508121](#) [0022285053](#) [0050291907](#) [018731A](#) [LY20-4P-DT1-P1E-BR](#) [02.125.8002.8](#) [60101931](#) [60598-1 \(Cut Strip\)](#) [M1625-3R/100](#) [61062-3](#) [61082-181009](#) [CSU011177004](#) [636-1427](#) [638009-1](#) [641938-9](#) [641991-4](#) [644168-1](#) [644827-2](#) [647662-1](#) [65039-019ELF](#) [65692-001LF](#) [65781-018](#) [65781-047](#)