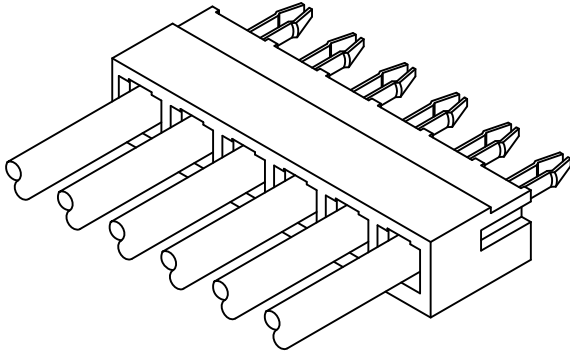


Specifications

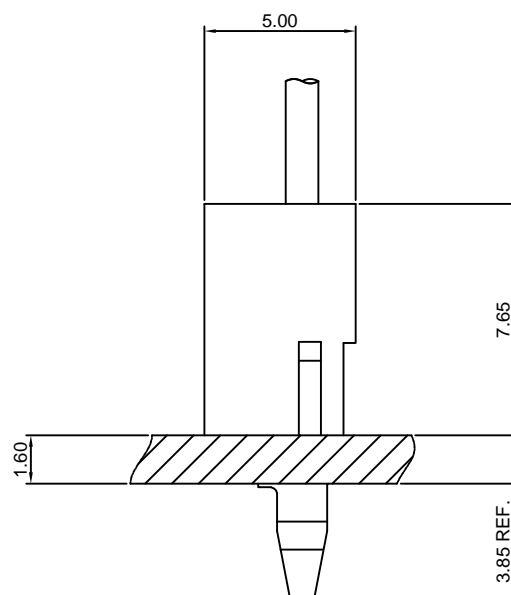
Current rating:7A AC,DC
Voltage rating:300V AC,DC
Temperature range:-40°C~+105°C
Contact resistance:20mΩMax.
Insulation resistance:1000MΩMin.
Withstanding voltage:1500V AC/minute
*Meet the HF/Halogen Free,GWT/Glow wire
Test (IEC60335-1) request,need to
customize*
Contact CJT for details



Standards



Assembly layout

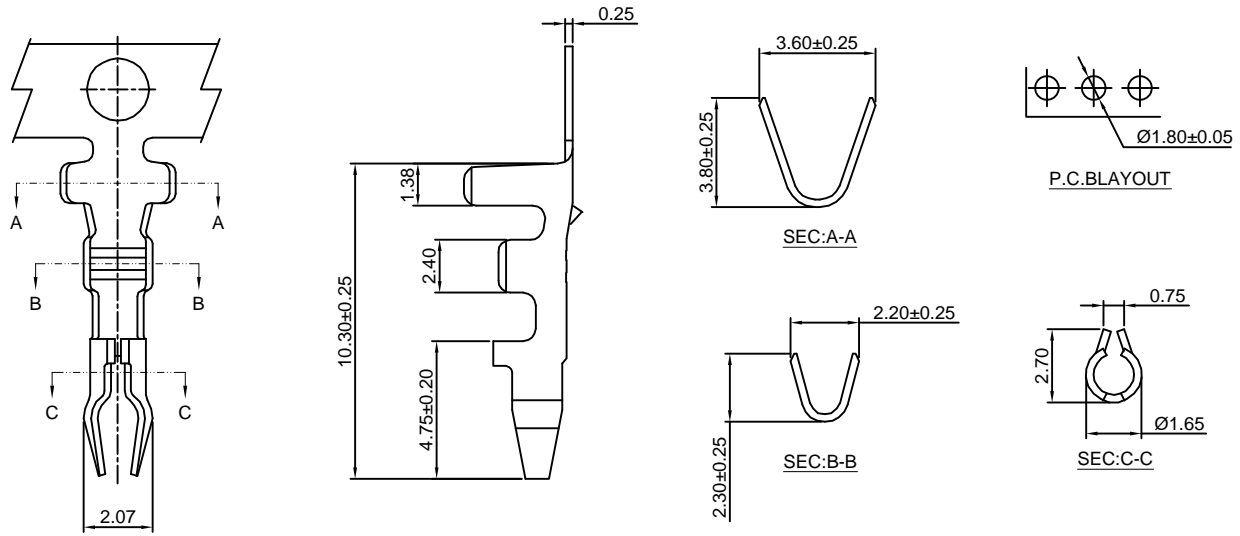


B3951-T

3.96mm pitch Crimp Terminal

Reference Informations:

*Used in CJT B3951H-XP series Housing



Ordering information & Specifications:

Unit:mm

Part NO.	Wire Range	Insulation O.D.	Material	Finish	Qty/reel
B3951-TB	AWG#18-#22	3.00mm(max)	Brass	Tin over Nickel	6,000 PCS
B3951-TP	AWG#18-#22	3.00mm(max)	Phosphor Bronze	Tin over Nickel	6,000 PCS
B3951-GB	AWG#18-#22	3.00mm(max)	Brass	Gold over Nickel	6,000 PCS
B3951-GP	AWG#18-#22	3.00mm(max)	Phosphor Bronze	Gold over Nickel	6,000 PCS

Optional Gold plating available but MOQ requested

B3951H-XP

3.96mm pitch Housing

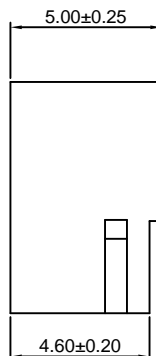
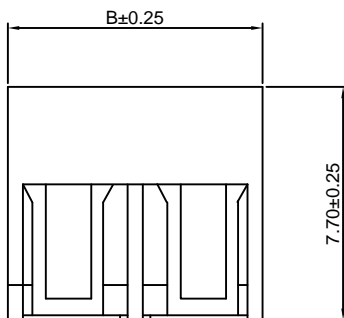
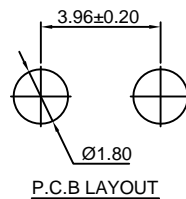
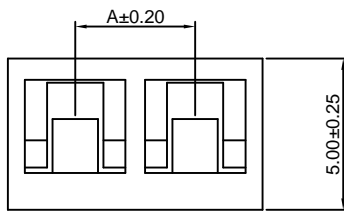
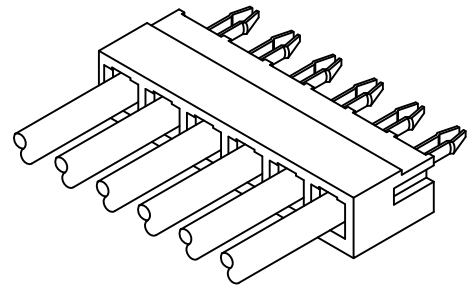
Reference Informations:

- *Material:Nylon 66,UL94V-0
- *Suitable CJT B3951-T series Terminal
- *Color:Natural(white)

Ordering Information:

B3951H-XP - ***
1 2

- Part No.
- Material:
(blank):Nylon 66,UL94V-0
GWT:Nylon 66,UL94V-0,GWT 750°C



Ordering Information & Dimensions:

PART NO.	Dimensions	
	A	B
2P	3.96	8.42
3P	7.92	12.38
4P	11.88	16.34
5P	15.84	20.30
6P	19.80	24.26
7P	23.76	28.22
8P	27.72	32.18
9P	31.68	36.14
10P	35.64	40.10
11P	39.60	44.06
12P	43.56	48.02
13P	47.52	51.98
14P	51.48	55.94
15P	55.44	59.90

Unit: mm

X-ON Electronics

Largest Supplier of Electrical and Electronic Components

Click to view similar products for [Headers & Wire Housings](#) category:

Click to view products by [Changjiang](#) manufacturer:

Other Similar products are found below :

[95000-104TRLF](#) [10135584-644402LF](#) [DF62W-EP2022PCA](#) [95000-106TRLF](#) [DF62W-2022SCA](#) [DF62W-EP2022PC](#) [2203348](#) [DF62W-2022SC](#) [1084018](#) [1029039](#) [1084017](#) [802-10-012-10-002000](#) [1112640](#) [1112639](#) [891-007-9SS-BST1T](#) [000-34000](#) [0008550134](#) [0009482033](#) [0009507031](#) [57102-F02-18ULF](#) [57102-S06-03LF](#) [57202-S52-04LF](#) [PCN6-15S-2.5E](#) [0039019024](#) [58102-G61-06LF](#) [582553-1](#) [0009485154](#) [0009508121](#) [0022285053](#) [0050291907](#) [018731A](#) [LY20-4P-DT1-P1E-BR](#) [02.125.8002.8](#) [60101931](#) [60598-1 \(Cut Strip\)](#) [M1625-3R/100](#) [61062-3](#) [61082-181009](#) [CSU011177004](#) [636-1427](#) [638009-1](#) [641938-9](#) [641991-4](#) [644168-1](#) [644827-2](#) [647662-1](#) [65039-019ELF](#) [65692-001LF](#) [65781-018](#) [65781-047](#)