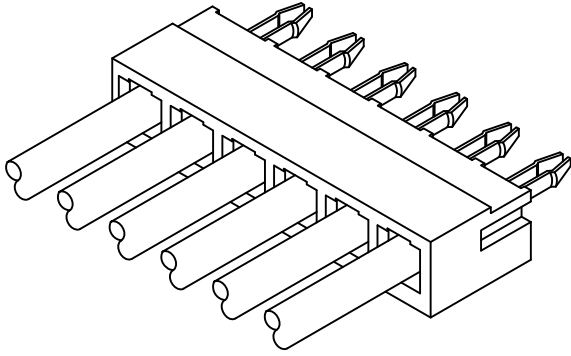


## Specifications

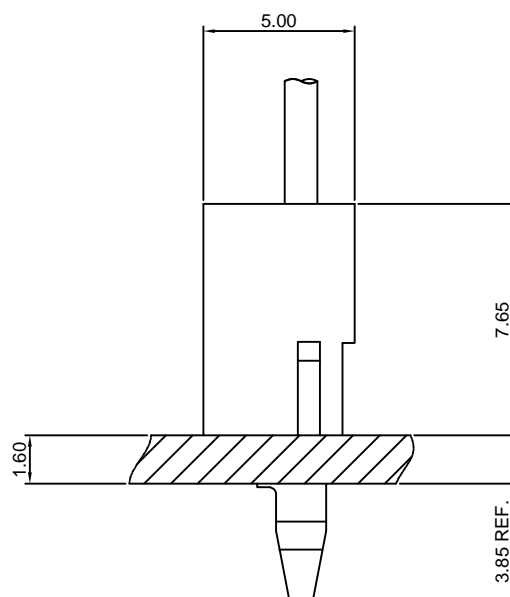
Current rating:7A AC,DC  
Voltage rating:300V AC,DC  
Temperature range:-40°C~+105°C  
Contact resistance:20mΩMax.  
Insulation resistance:1000MΩMin.  
Withstanding voltage:1500V AC/minute  
\*Meet the HF/Halogen Free,GWT/Glow wire  
Test (IEC60335-1) request,need to  
customize\*  
\*Contact CJT for details\*



## Standards



## Assembly layout

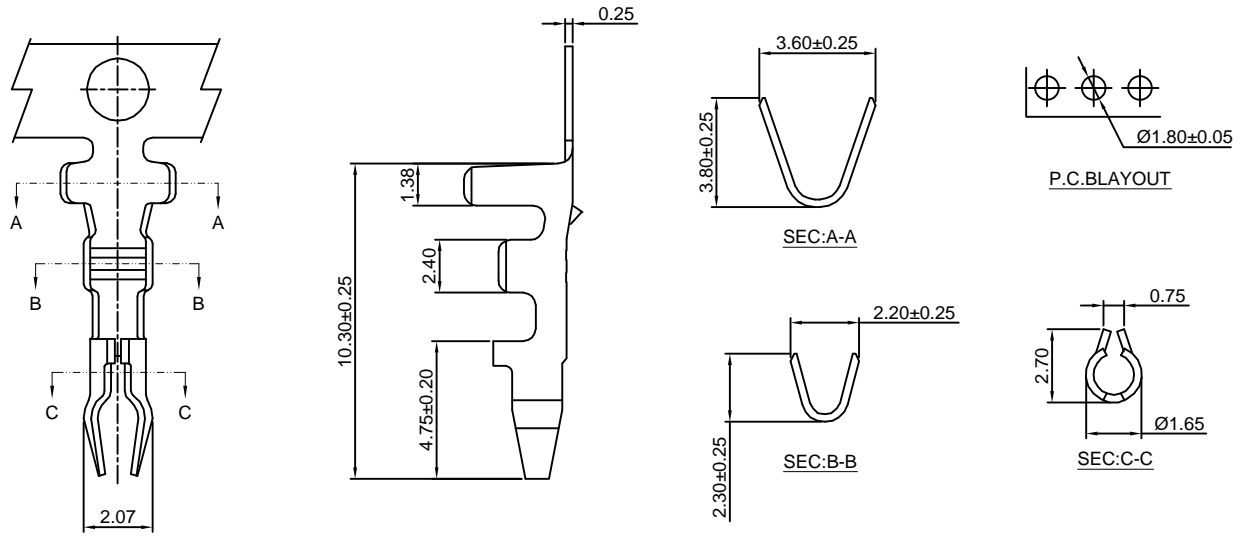


### B3951-T

3.96mm pitch Crimp Terminal

**Reference Informations:**

\*Used in CJT B3951H-XP series Housing



Ordering information & Specifications:

Unit:mm

| Part NO. | Wire Range | Insulation O.D. | Material        | Finish           | Qty/reel  |
|----------|------------|-----------------|-----------------|------------------|-----------|
| B3951-TB | AWG#18-#22 | 3.00mm(max)     | Brass           | Tin over Nickel  | 6,000 PCS |
| B3951-TP | AWG#18-#22 | 3.00mm(max)     | Phosphor Bronze | Tin over Nickel  | 6,000 PCS |
| B3951-GB | AWG#18-#22 | 3.00mm(max)     | Brass           | Gold over Nickel | 6,000 PCS |
| B3951-GP | AWG#18-#22 | 3.00mm(max)     | Phosphor Bronze | Gold over Nickel | 6,000 PCS |

Optional Gold plating available but MOQ requested

### B3951H-XP

3.96mm pitch Housing

**Reference Informations:**

\*Material:Nylon 66,UL94V-0

\*Suitable CJT B3951-T series Terminal

\*Color:Natural(white)

Ordering Information:

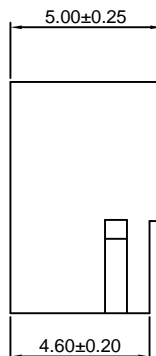
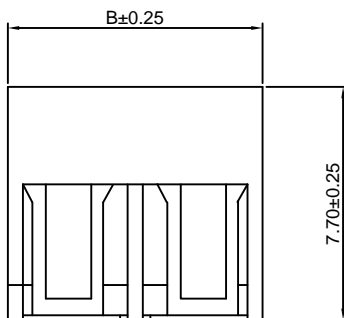
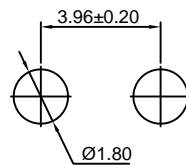
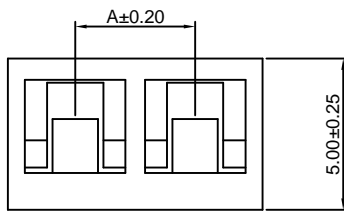
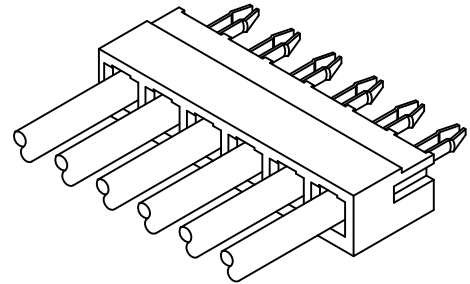
B3951H-XP - \*\*\*  
1 2

1.Part No.

2.Material:

(blank):Nylon 66,UL94V-0

GWT:Nylon 66,UL94V-0,GWT 750°C



Ordering Information & Dimensions:

| PART NO. | Dimensions |       |
|----------|------------|-------|
|          | A          | B     |
| 2P       | 3.96       | 8.42  |
| 3P       | 7.92       | 12.38 |
| 4P       | 11.88      | 16.34 |
| 5P       | 15.84      | 20.30 |
| 6P       | 19.80      | 24.26 |
| 7P       | 23.76      | 28.22 |
| 8P       | 27.72      | 32.18 |
| 9P       | 31.68      | 36.14 |
| 10P      | 35.64      | 40.10 |
| 11P      | 39.60      | 44.06 |
| 12P      | 43.56      | 48.02 |
| 13P      | 47.52      | 51.98 |
| 14P      | 51.48      | 55.94 |
| 15P      | 55.44      | 59.90 |

Unit: mm

## X-ON Electronics

Largest Supplier of Electrical and Electronic Components

*Click to view similar products for [Headers & Wire Housings](#) category:*

*Click to view products by [Changjiang](#) manufacturer:*

Other Similar products are found below :

[95000-104TRLF](#) [10135584-644402LF](#) [DF62W-EP2022PCA](#) [95000-106TRLF](#) [DF62W-2022SCA](#) [DF62W-EP2022PC](#) [2203348](#) [DF62W-2022SC](#) [1084018](#) [1029039](#) [1084017](#) [802-10-012-10-002000](#) [1112640](#) [1112639](#) [891-007-9SS-BST1T](#) [000-34000](#) [0008550134](#) [0009482033](#) [0009507031](#) [57102-F02-18ULF](#) [57102-S06-03LF](#) [57202-S52-04LF](#) [PCN6-15S-2.5E](#) [0039019024](#) [58102-G61-06LF](#) [582553-1](#) [0009485154](#) [0009508121](#) [0022285053](#) [0050291907](#) [018731A](#) [LY20-4P-DT1-P1E-BR](#) [02.125.8002.8](#) [60101931](#) [60598-1 \(Cut Strip\)](#) [M1625-3R/100](#) [61062-3](#) [61082-181009](#) [CSU011177004](#) [636-1427](#) [638009-1](#) [641938-9](#) [641991-4](#) [644168-1](#) [644827-2](#) [647662-1](#) [65039-019ELF](#) [65692-001LF](#) [65781-018](#) [65781-047](#)