

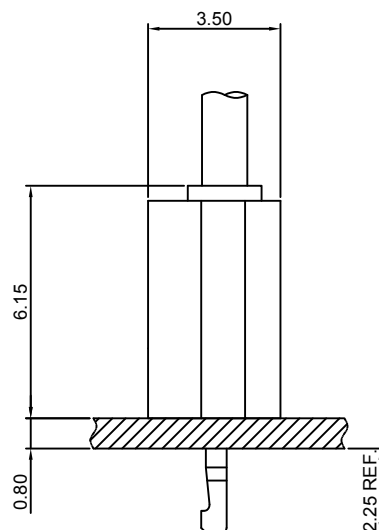
## Specifications

Current rating:1A AC,DC  
Voltage rating:250V AC,DC  
Temperature range:-40°C~+105°C  
Contact resistance:20mΩMax.  
Insulation resistance:500MΩMin.  
Withstanding voltage:1000V AC/minute  
\*Compliant with RoHS and REACH\*  
\*Meet the HF/Halogen Free need to customize\*  
\*Contact CJT for details\*

## Standards



## Assembly layout

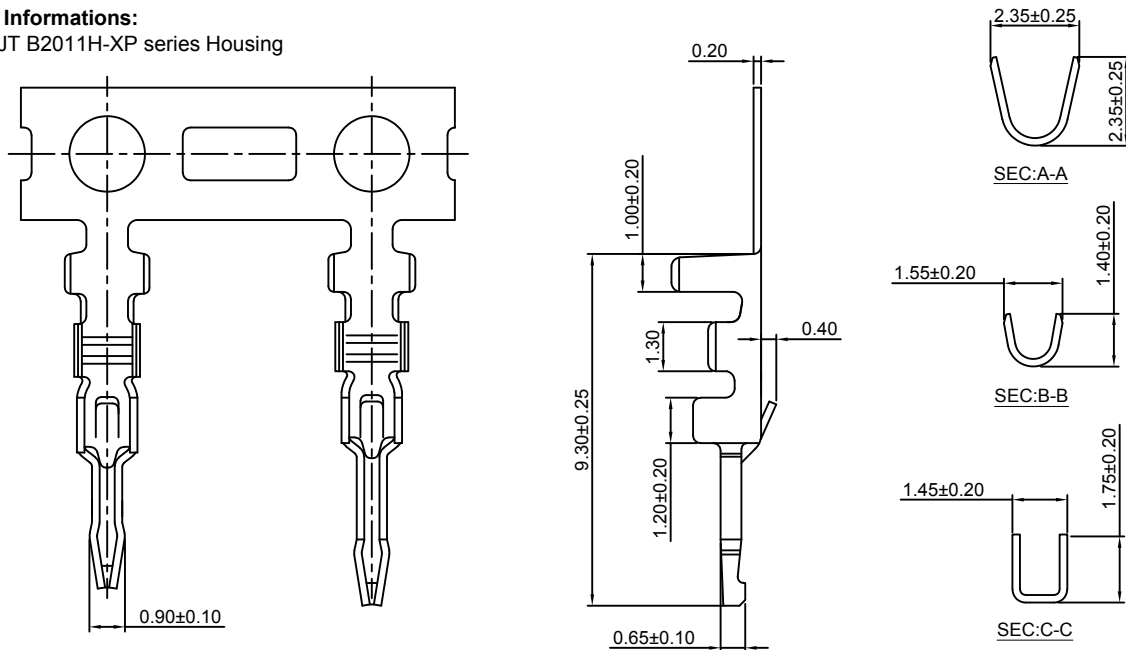


**B2011-T**

2.00mm pitch Crimp Terminal

**Reference Informations:**

\*Used in CJT B2011H-XP series Housing



Ordering information & Specifications:

Unit:mm

Part NO.	Wire Range	Insulation O.D.	Material	Finish	Qty/reel
B2011-TB	AWG#24-#30	1.30mm(max)	Brass	Tin over Nickel	10,000 PCS
B2011-TP	AWG#24-#30	1.30mm(max)	Phosphor Bronze	Tin over Nickel	10,000 PCS
B2011-GB	AWG#24-#30	1.30mm(max)	Brass	Gold over Nickel	10,000 PCS
B2011-GP	AWG#24-#30	1.30mm(max)	Phosphor Bronze	Gold over Nickel	10,000 PCS

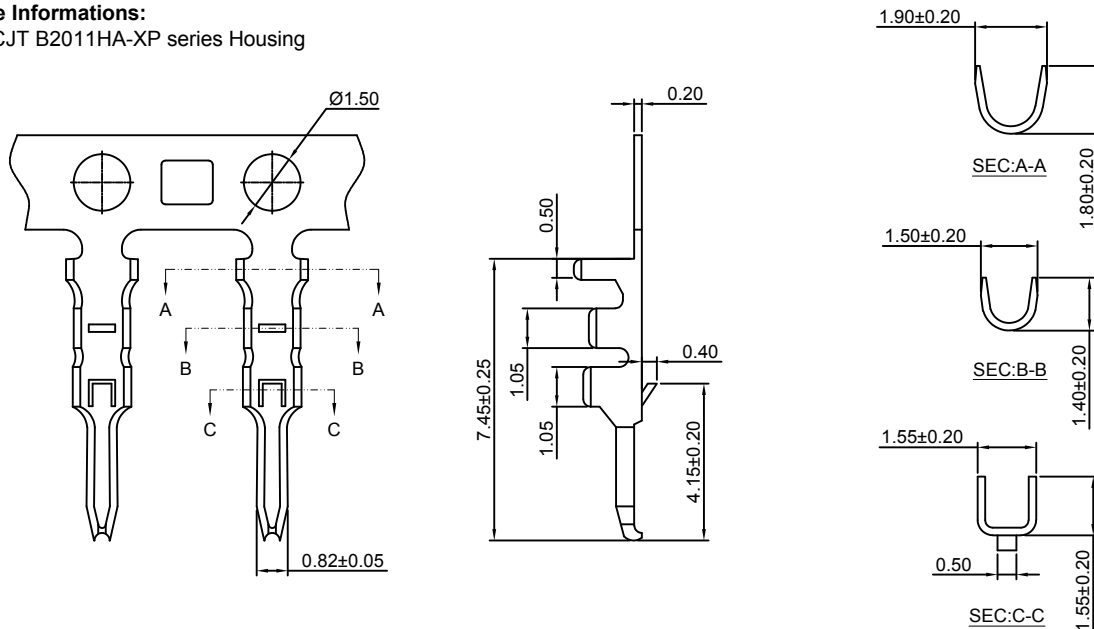
Optional Gold plating available but MOQ requested

**B2011-T-A**

2.00mm pitch Crimp Terminal

**Reference Informations:**

\*Used in CJT B2011HA-XP series Housing



Ordering information & Specifications:

Unit:mm

Part NO.	Wire Range	Insulation O.D.	Material	Finish	Qty/reel
B2011-TB-A	AWG#28-#30	1.00mm(max)	Brass	Tin over Nickel	10,000 PCS
B2011-TP-A	AWG#28-#30	1.00mm(max)	Phosphor Bronze	Tin over Nickel	10,000 PCS
B2011-GB-A	AWG#28-#30	1.00mm(max)	Brass	Gold over Nickel	10,000 PCS
B2011-GP-A	AWG#28-#30	1.00mm(max)	Phosphor Bronze	Gold over Nickel	10,000 PCS

Optional Gold plating available but MOQ requested

### B2011H-XP

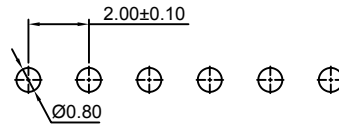
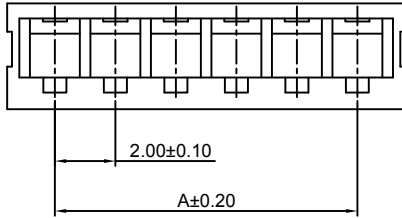
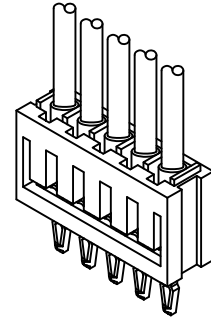
2.00mm pitch Housing

**Reference Informations:**

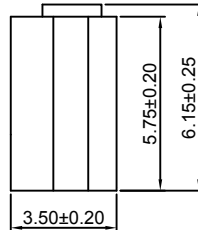
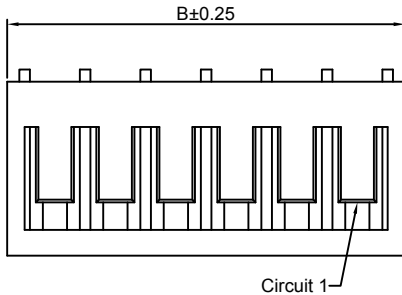
- \*Material:Nylon 66,UL94V-0
- \*Suitable CJT B2011-T series Terminal
- \*Color:White

**Ordering Information:**

- B2011H-XP - \*\*\*  
 $\frac{1}{2}$   
 1.Part No.  
 2.Material:  
 (blank):Nylon 66,UL94V-0  
GWT:Nylon 66,UL94V-0,GWT 750°C



P.C.B LAYOUT



**Ordering Information & Dimensions:**

PART NO.	Dimensions	
	A	B
2P	2.00	5.20
3P	4.00	7.20
4P	6.00	9.20
5P	8.00	11.20
6P	10.00	13.20
7P	12.00	15.20
8P	14.00	17.20
9P	16.00	19.20
10P	18.00	21.20
11P	20.00	23.20
12P	22.00	25.20
13P	24.00	27.20
14P	26.00	29.20
15P	28.00	31.20
16P	30.00	33.20

Unit: mm

### B2011HA-XP

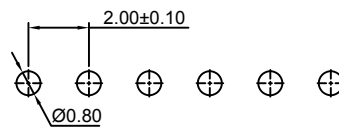
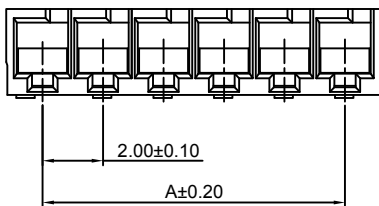
2.00mm pitch Housing

**Reference Informations:**

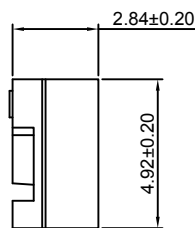
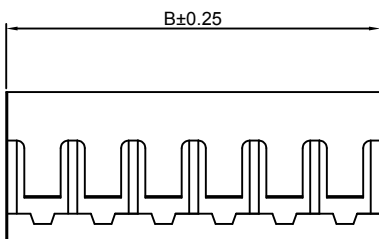
- \*Material:Nylon 66,UL94V-0
- \*Suitable CJT B2011-T-A series Terminal
- \*Color:White

**Ordering Information:**

- B2011HA-XP - \*\*\*  
 $\frac{1}{2}$   
 1.Part No.  
 2.Material:  
 (blank):Nylon 66,UL94V-0  
GWT:Nylon 66,UL94V-0,GWT 750°C



P.C.B LAYOUT



**Ordering Information & Dimensions:**

PART NO.	Dimensions	
	A	B
2P	2.00	4.40
3P	4.00	6.40
4P	6.00	8.40
5P	8.00	10.40
6P	10.00	12.40
7P	12.00	14.40
8P	14.00	16.40
9P	16.00	18.40
10P	18.00	20.40
11P	20.00	22.40
12P	22.00	24.40
13P	24.00	26.40
14P	26.00	28.40
15P	28.00	30.40
16P	30.00	32.40

Unit: mm

## X-ON Electronics

Largest Supplier of Electrical and Electronic Components

*Click to view similar products for [Headers & Wire Housings](#) category:*

*Click to view products by [Changjiang](#) manufacturer:*

Other Similar products are found below :

[95000-104TRLF](#) [10135584-644402LF](#) [DF62W-EP2022PCA](#) [95000-106TRLF](#) [DF62W-2022SCA](#) [DF62W-EP2022PC](#) [2203348](#) [DF62W-2022SC](#) [1084018](#) [1029039](#) [1084017](#) [802-10-012-10-002000](#) [1112640](#) [1112639](#) [891-007-9SS-BST1T](#) [000-34000](#) [0008550134](#) [0009482033](#) [0009507031](#) [57102-F02-18ULF](#) [57102-S06-03LF](#) [57202-S52-04LF](#) [PCN6-15S-2.5E](#) [0039019024](#) [58102-G61-06LF](#) [582553-1](#) [0009485154](#) [0009508121](#) [0022285053](#) [0050291907](#) [018731A](#) [LY20-4P-DT1-P1E-BR](#) [02.125.8002.8](#) [60101931](#) [60598-1 \(Cut Strip\)](#) [M1625-3R/100](#) [61062-3](#) [61082-181009](#) [CSU011177004](#) [636-1427](#) [638009-1](#) [641938-9](#) [641991-4](#) [644168-1](#) [644827-2](#) [647662-1](#) [65039-019ELF](#) [65692-001LF](#) [65781-018](#) [65781-047](#)