

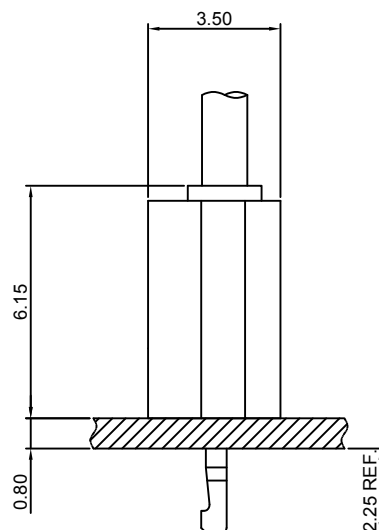
Specifications

Current rating:1A AC,DC
Voltage rating:250V AC,DC
Temperature range:-40°C~+105°C
Contact resistance:20mΩMax.
Insulation resistance:500MΩMin.
Withstanding voltage:1000V AC/minute
Compliant with RoHS and REACH
Meet the HF/Halogen Free need to customize
Contact CJT for details

Standards



Assembly layout

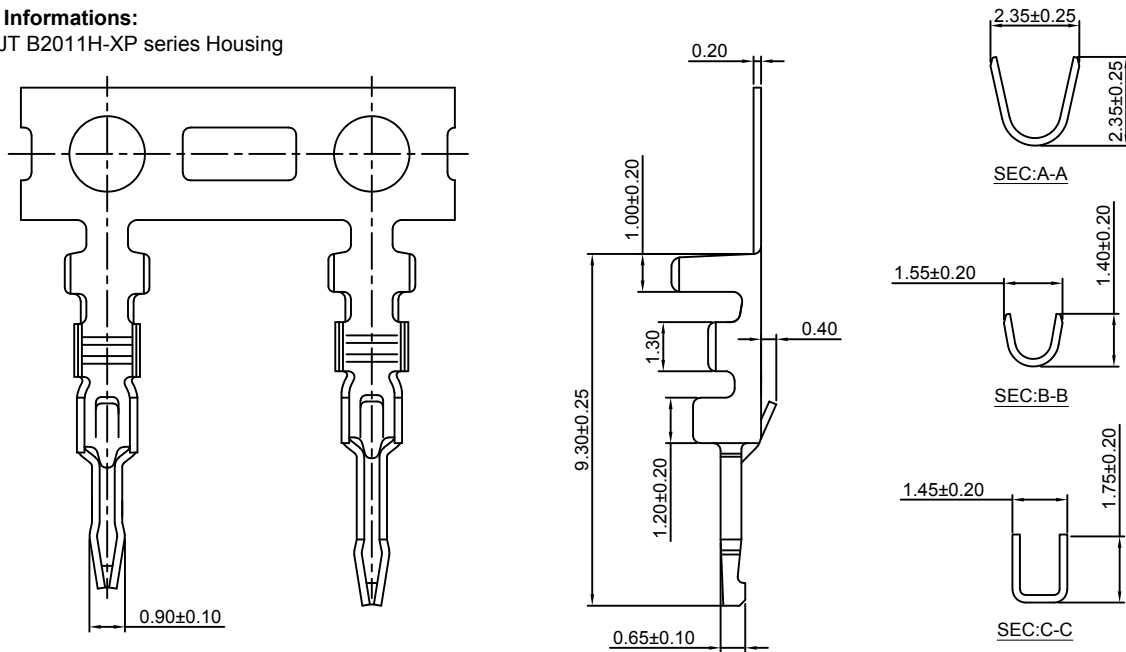


B2011-T

2.00mm pitch Crimp Terminal

Reference Informations:

*Used in CJT B2011H-XP series Housing



Ordering information & Specifications:

Unit:mm

| Part NO. | Wire Range | Insulation O.D. | Material | Finish | Qty/reel |
|----------|------------|-----------------|-----------------|------------------|------------|
| B2011-TB | AWG#24-#30 | 1.30mm(max) | Brass | Tin over Nickel | 10,000 PCS |
| B2011-TP | AWG#24-#30 | 1.30mm(max) | Phosphor Bronze | Tin over Nickel | 10,000 PCS |
| B2011-GB | AWG#24-#30 | 1.30mm(max) | Brass | Gold over Nickel | 10,000 PCS |
| B2011-GP | AWG#24-#30 | 1.30mm(max) | Phosphor Bronze | Gold over Nickel | 10,000 PCS |

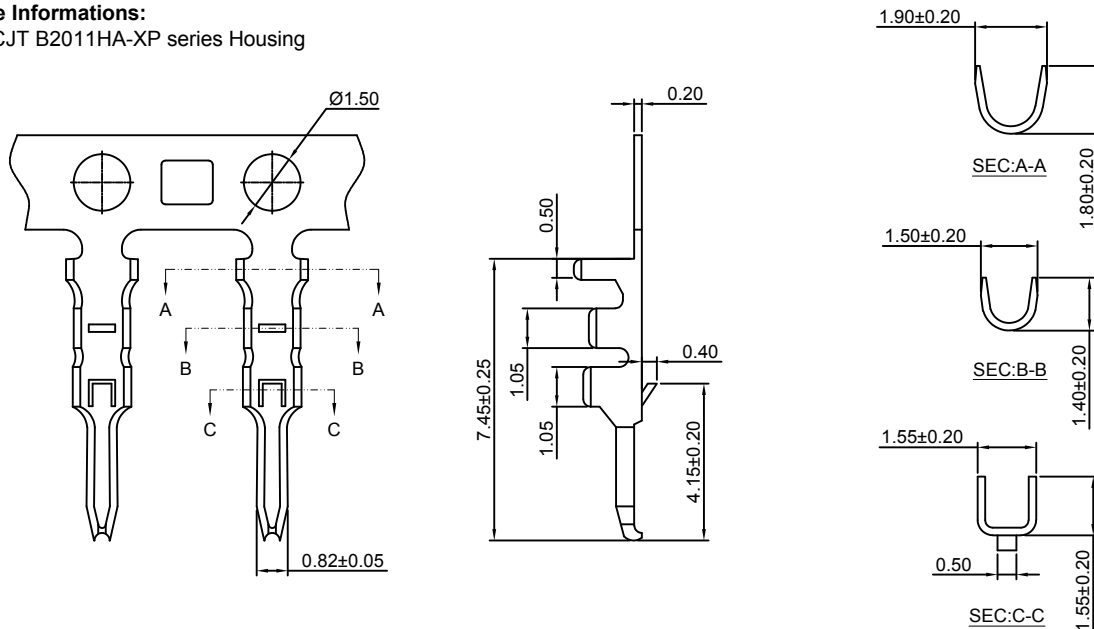
Optional Gold plating available but MOQ requested

B2011-T-A

2.00mm pitch Crimp Terminal

Reference Informations:

*Used in CJT B2011HA-XP series Housing



Ordering information & Specifications:

Unit:mm

| Part NO. | Wire Range | Insulation O.D. | Material | Finish | Qty/reel |
|------------|------------|-----------------|-----------------|------------------|------------|
| B2011-TB-A | AWG#28-#30 | 1.00mm(max) | Brass | Tin over Nickel | 10,000 PCS |
| B2011-TP-A | AWG#28-#30 | 1.00mm(max) | Phosphor Bronze | Tin over Nickel | 10,000 PCS |
| B2011-GB-A | AWG#28-#30 | 1.00mm(max) | Brass | Gold over Nickel | 10,000 PCS |
| B2011-GP-A | AWG#28-#30 | 1.00mm(max) | Phosphor Bronze | Gold over Nickel | 10,000 PCS |

Optional Gold plating available but MOQ requested

B2011H-XP

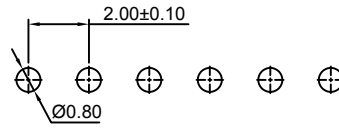
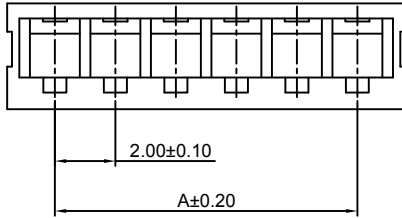
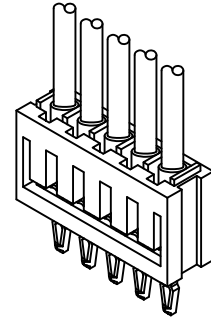
2.00mm pitch Housing

Reference Informations:

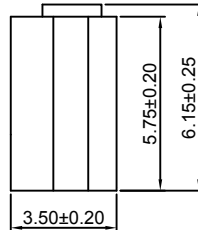
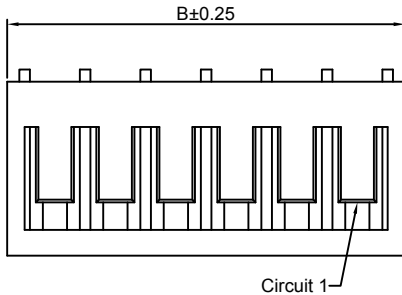
- *Material:Nylon 66,UL94V-0
- *Suitable CJT B2011-T series Terminal
- *Color:White

Ordering Information:

- B2011H-XP - ***
 $\frac{1}{2}$
 1.Part No.
 2.Material:
 (blank):Nylon 66,UL94V-0
GWT:Nylon 66,UL94V-0,GWT 750°C



P.C.B LAYOUT



Ordering Information & Dimensions:

| PART NO. | Dimensions | |
|----------|------------|-------|
| | A | B |
| 2P | 2.00 | 5.20 |
| 3P | 4.00 | 7.20 |
| 4P | 6.00 | 9.20 |
| 5P | 8.00 | 11.20 |
| 6P | 10.00 | 13.20 |
| 7P | 12.00 | 15.20 |
| 8P | 14.00 | 17.20 |
| 9P | 16.00 | 19.20 |
| 10P | 18.00 | 21.20 |
| 11P | 20.00 | 23.20 |
| 12P | 22.00 | 25.20 |
| 13P | 24.00 | 27.20 |
| 14P | 26.00 | 29.20 |
| 15P | 28.00 | 31.20 |
| 16P | 30.00 | 33.20 |

Unit: mm

B2011HA-XP

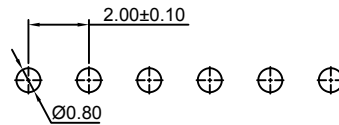
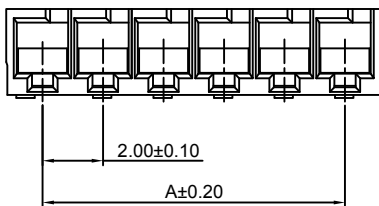
2.00mm pitch Housing

Reference Informations:

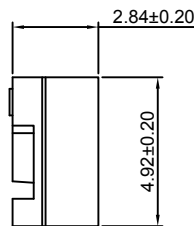
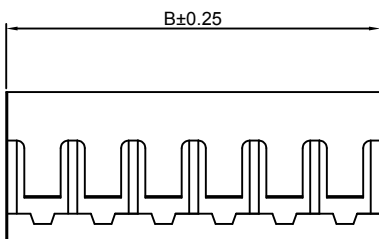
- *Material:Nylon 66,UL94V-0
- *Suitable CJT B2011-T-A series Terminal
- *Color:White

Ordering Information:

- B2011HA-XP - ***
 $\frac{1}{2}$
 1.Part No.
 2.Material:
 (blank):Nylon 66,UL94V-0
GWT:Nylon 66,UL94V-0,GWT 750°C



P.C.B LAYOUT



Ordering Information & Dimensions:

| PART NO. | Dimensions | |
|----------|------------|-------|
| | A | B |
| 2P | 2.00 | 4.40 |
| 3P | 4.00 | 6.40 |
| 4P | 6.00 | 8.40 |
| 5P | 8.00 | 10.40 |
| 6P | 10.00 | 12.40 |
| 7P | 12.00 | 14.40 |
| 8P | 14.00 | 16.40 |
| 9P | 16.00 | 18.40 |
| 10P | 18.00 | 20.40 |
| 11P | 20.00 | 22.40 |
| 12P | 22.00 | 24.40 |
| 13P | 24.00 | 26.40 |
| 14P | 26.00 | 28.40 |
| 15P | 28.00 | 30.40 |
| 16P | 30.00 | 32.40 |

Unit: mm

X-ON Electronics

Largest Supplier of Electrical and Electronic Components

Click to view similar products for [Headers & Wire Housings](#) category:

Click to view products by [Changjiang](#) manufacturer:

Other Similar products are found below :

[95000-104TRLF](#) [10135584-644402LF](#) [DF62W-EP2022PCA](#) [95000-106TRLF](#) [DF62W-2022SCA](#) [DF62W-EP2022PC](#) [2203348](#) [DF62W-2022SC](#) [1084018](#) [1029039](#) [1084017](#) [802-10-012-10-002000](#) [1112640](#) [1112639](#) [891-007-9SS-BST1T](#) [000-34000](#) [0008550134](#) [0009482033](#) [0009507031](#) [57102-F02-18ULF](#) [57102-S06-03LF](#) [57202-S52-04LF](#) [PCN6-15S-2.5E](#) [0039019024](#) [58102-G61-06LF](#) [582553-1](#) [0009485154](#) [0009508121](#) [0022285053](#) [0050291907](#) [018731A](#) [LY20-4P-DT1-P1E-BR](#) [02.125.8002.8](#) [60101931](#) [60598-1 \(Cut Strip\)](#) [M1625-3R/100](#) [61062-3](#) [61082-181009](#) [CSU011177004](#) [636-1427](#) [638009-1](#) [641938-9](#) [641991-4](#) [644168-1](#) [644827-2](#) [647662-1](#) [65039-019ELF](#) [65692-001LF](#) [65781-018](#) [65781-047](#)