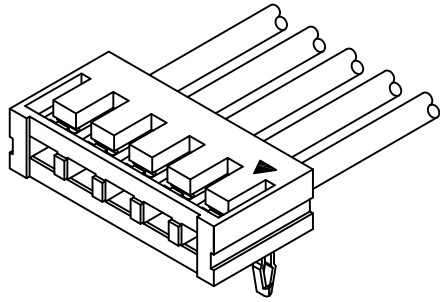


Specifications

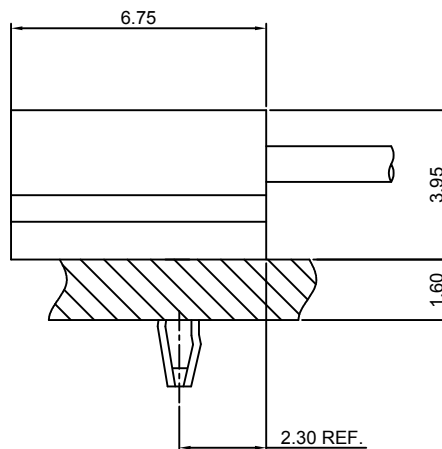
Current rating:3A AC,DC
Voltage rating:125V AC,DC
Temperature range:-40°C~+105°C
Contact resistance:5mΩMax.
Insulation resistance:1000MΩMin.
Withstanding voltage:1000V AC/minute
Compliant with RoHS and REACH
Meet the HF/Halogen Free,need to customize
Contact CJT for details



Standards



Assembly layout

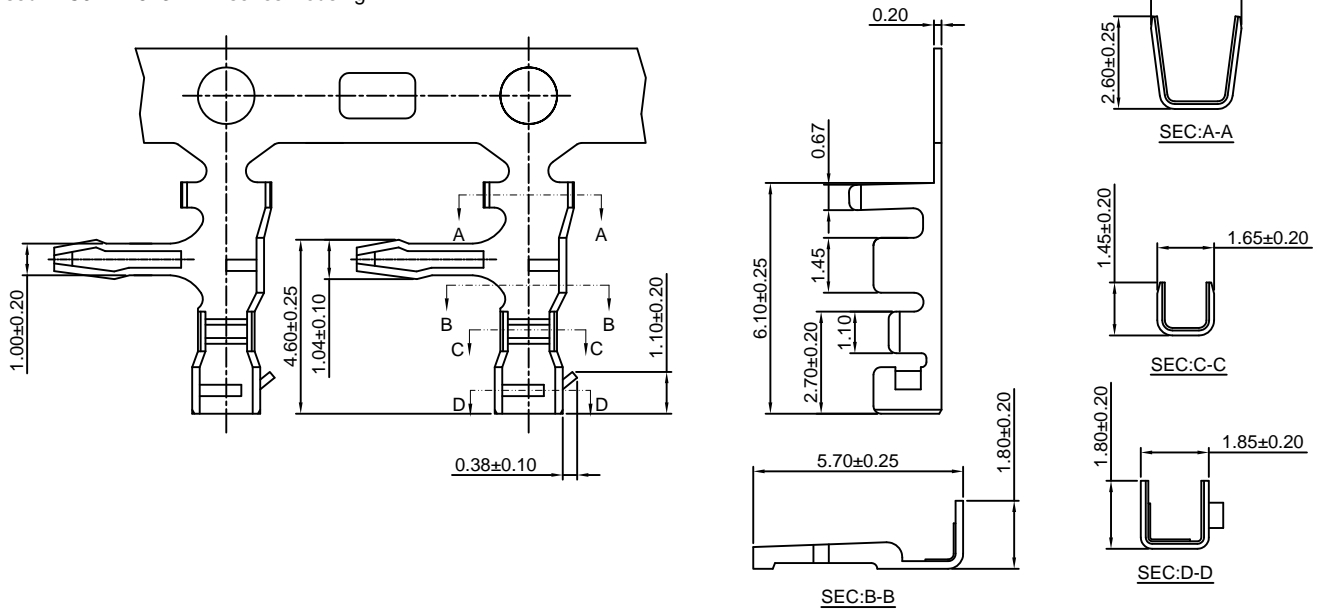


B2513-T

2.50mm pitch Crimp Terminal

Reference Informations:

*Used in CJT B2513H-XP series Housing



Ordering information & Specifications:

Unit:mm

Part NO.	Wire Range	Insulation O.D.	Material	Finish	Qty/reel
B2513-TB	AWG#22-#28	1.70mm(max)	Brass	Tin over Nickel	10,000 PCS
B2513-TP	AWG#22-#28	1.70mm(max)	Phosphor Bronze	Tin over Nickel	10,000 PCS
B2513-GB	AWG#22-#28	1.70mm(max)	Brass	Gold over Nickel	10,000 PCS
B2513-GP	AWG#22-#28	1.70mm(max)	Phosphor Bronze	Gold over Nickel	10,000 PCS

Optional Gold plating available but MOQ requested

B2513H-XP

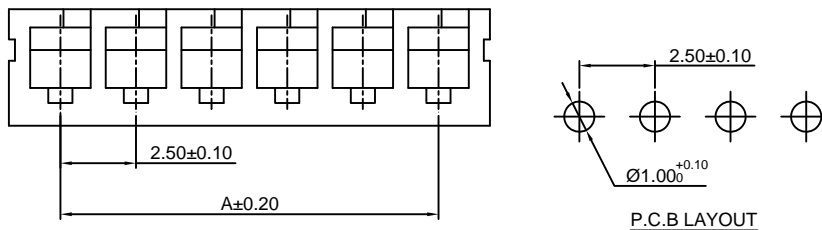
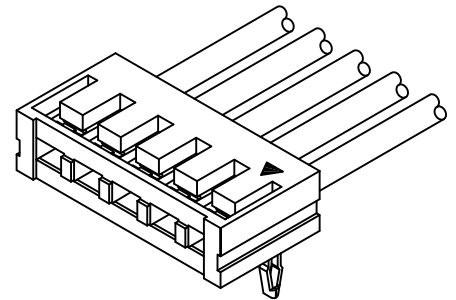
2.50mm pitch Housing

Reference Informations:

- *Material:Nylon 66,UL94V-0
- *Suitable CJT B2513-T series Terminal
- *Color:Natural(white)

Ordering Information:

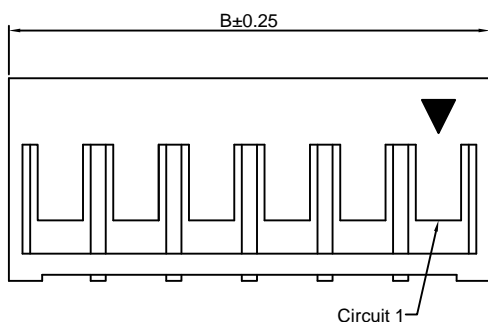
- B2513H-XP - ***
 $\frac{1}{2}$
 1.Part No.
 2.Material:
 (blank):Nylon 66,UL94V-0
 GWT:Nylon 66,UL94V-0,GWT 750°C



Ordering Information & Dimensions:

PART NO.	Dimensions	
	A	B
2P	2.50	6.65
3P	5.00	9.15
4P	7.50	11.65
5P	10.00	14.15
6P	12.50	16.65
7P	15.00	19.15
8P	17.50	21.65
9P	20.00	24.15
10P	22.50	26.65
11P	25.00	29.15
12P	27.50	31.65
13P	30.00	34.15
14P	32.50	36.65
15P	35.00	39.15
16P	37.50	41.65

Unit: mm



X-ON Electronics

Largest Supplier of Electrical and Electronic Components

Click to view similar products for [Headers & Wire Housings](#) category:

Click to view products by [Changjiang](#) manufacturer:

Other Similar products are found below :

[95000-104TRLF](#) [10135584-644402LF](#) [DF62W-EP2022PCA](#) [95000-106TRLF](#) [DF62W-2022SCA](#) [DF62W-EP2022PC](#) [2203348](#) [DF62W-2022SC](#) [1084018](#) [1029039](#) [1084017](#) [802-10-012-10-002000](#) [1112640](#) [1112639](#) [891-007-9SS-BST1T](#) [000-34000](#) [0008550134](#) [0009482033](#) [0009507031](#) [57102-F02-18ULF](#) [57102-S06-03LF](#) [57202-S52-04LF](#) [PCN6-15S-2.5E](#) [0039019024](#) [58102-G61-06LF](#) [582553-1](#) [0009485154](#) [0009508121](#) [0022285053](#) [0050291907](#) [018731A](#) [LY20-4P-DT1-P1E-BR](#) [02.125.8002.8](#) [60101931](#) [60598-1 \(Cut Strip\)](#) [M1625-3R/100](#) [61062-3](#) [61082-181009](#) [CSU011177004](#) [636-1427](#) [638009-1](#) [641938-9](#) [641991-4](#) [644168-1](#) [644827-2](#) [647662-1](#) [65039-019ELF](#) [65692-001LF](#) [65781-018](#) [65781-047](#)