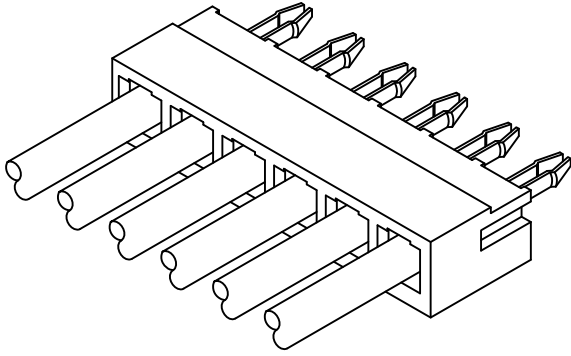


Specifications

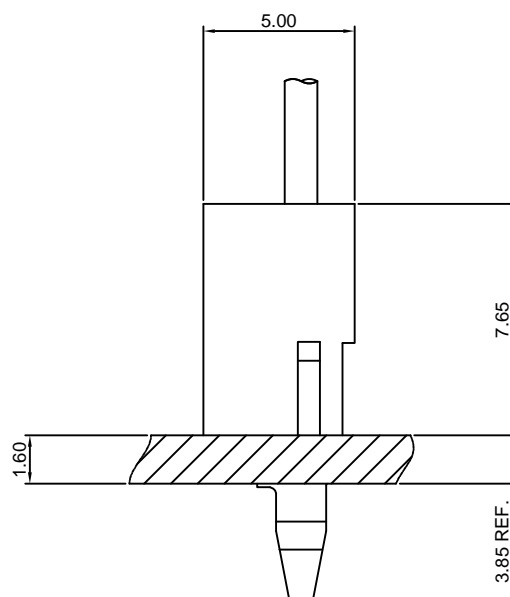
Current rating:7A AC,DC
Voltage rating:300V AC,DC
Temperature range:-40°C~+105°C
Contact resistance:20mΩMax.
Insulation resistance:1000MΩMin.
Withstanding voltage:1500V AC/minute
*Meet the HF/Halogen Free,GWT/Glow wire
Test (IEC60335-1) request,need to
customize*
Contact CJT for details



Standards



Assembly layout

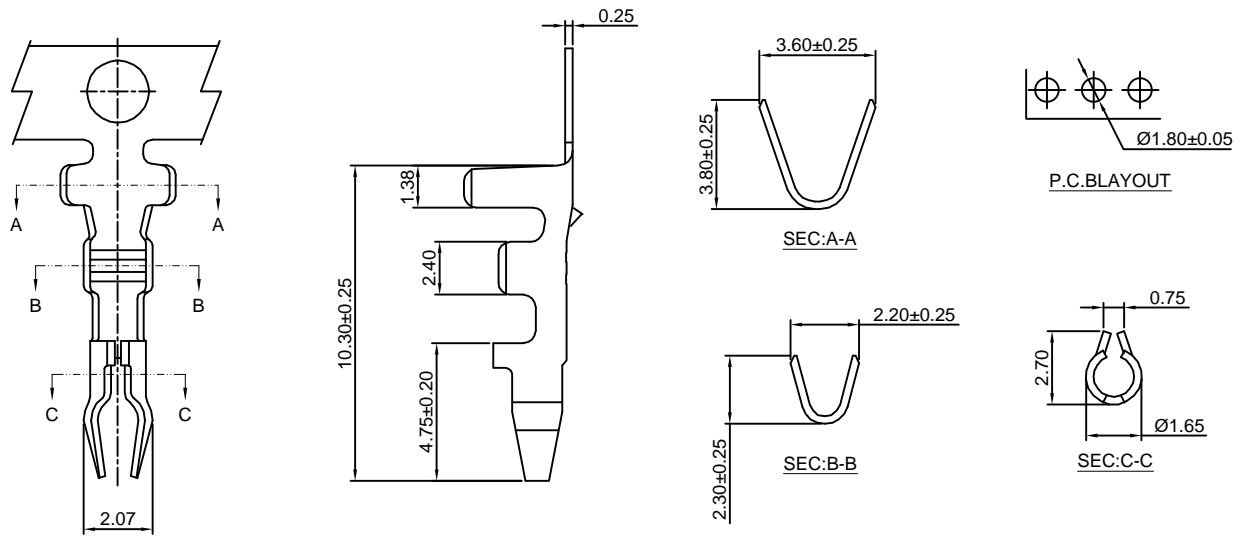


B3951-T

3.96mm pitch Crimp Terminal

Reference Informations:

*Used in CJT B3951H-XP series Housing



Ordering information & Specifications:

Unit:mm

Part NO.	Wire Range	Insulation O.D.	Material	Finish	Qty/reel
B3951-TB	AWG#18-#22	3.00mm(max)	Brass	Tin over Nickel	6,000 PCS
B3951-TP	AWG#18-#22	3.00mm(max)	Phosphor Bronze	Tin over Nickel	6,000 PCS
B3951-GB	AWG#18-#22	3.00mm(max)	Brass	Gold over Nickel	6,000 PCS
B3951-GP	AWG#18-#22	3.00mm(max)	Phosphor Bronze	Gold over Nickel	6,000 PCS

Optional Gold plating available but MOQ requested

B3951H-XP

3.96mm pitch Housing

Reference Informations:

*Material:Nylon 66,UL94V-0

*Suitable CJT B3951-T series Terminal

*Color:Natural(white)

Ordering Information:

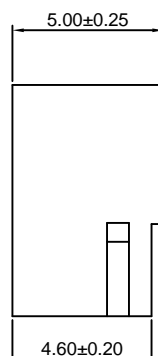
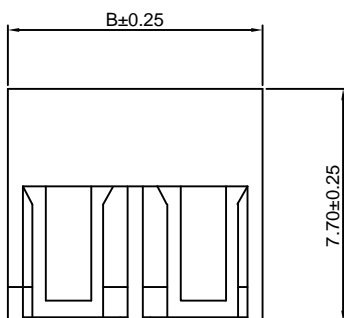
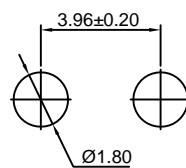
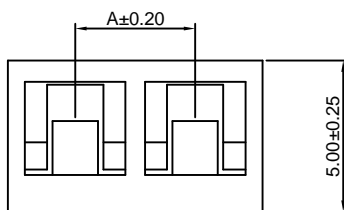
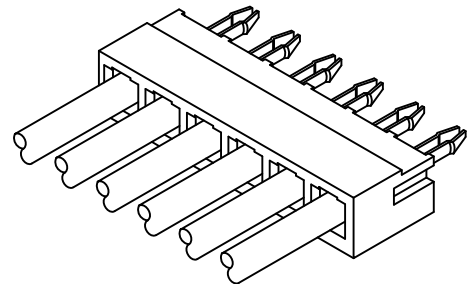
B3951H-XP - ***
1 2

1.Part No.

2.Material:

(blank):Nylon 66,UL94V-0

GWT:Nylon 66,UL94V-0,GWT 750°C



Ordering Information & Dimensions:

PART NO.	Dimensions	
	A	B
2P	3.96	8.42
3P	7.92	12.38
4P	11.88	16.34
5P	15.84	20.30
6P	19.80	24.26
7P	23.76	28.22
8P	27.72	32.18
9P	31.68	36.14
10P	35.64	40.10
11P	39.60	44.06
12P	43.56	48.02
13P	47.52	51.98
14P	51.48	55.94
15P	55.44	59.90

Unit: mm

X-ON Electronics

Largest Supplier of Electrical and Electronic Components

Click to view similar products for [Terminals](#) category:

Click to view products by [Changjiang](#) manufacturer:

Other Similar products are found below :

[HT-13-10](#) [71M-250-32-NB](#) [01-2065-1-0216](#) [00581P0075](#) [M10-10RX](#) [M10BCK](#) [60205-1](#) [604200-1](#) [60598-1-CUT-TAPE](#) [60617-1-C](#) [60873-1](#) [M14-516R/SK](#) [M14-6RSX](#) [M18-10FLX](#) [M18-8FBX](#) [M18-8R/LX](#) [M18BCK](#) [61314-6-C](#) [61-S](#) [61-SN-A](#) [62149-1](#) [62-NBM-A](#) [63-S](#) [640179-1](#) [640917-2-CUT-TAPE](#) [6501550002](#) [66107-2-C](#) [66107-4-C](#) [696683-1](#) [696834-1](#) [696861-1](#) [696931-1](#) [696999-1](#) [M8-516RK](#) [M86700006](#) [MA250DMFMX-A](#) [701-2007](#) [701-2307](#) [701-7761-03](#) [70F-110-32-PB](#) [718-N-A](#) [71M-187-20-NBL](#) [71M-250-32-NBL](#) [72F-187-20-NBL](#) [72M-250-32-NBL](#) [7310](#) [73F-250-32](#) [73F-250-32-NBL](#) [73F-250-32-NL](#) [F14-10C](#)