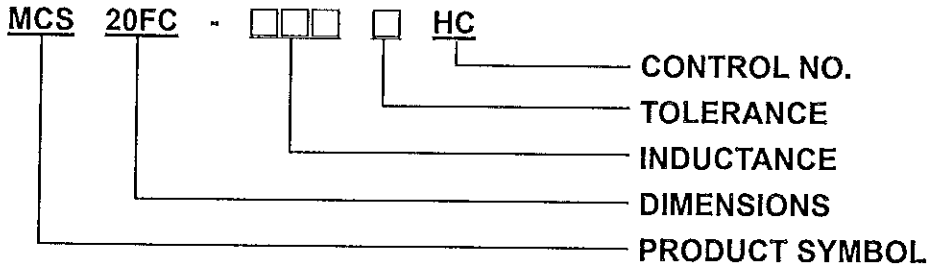
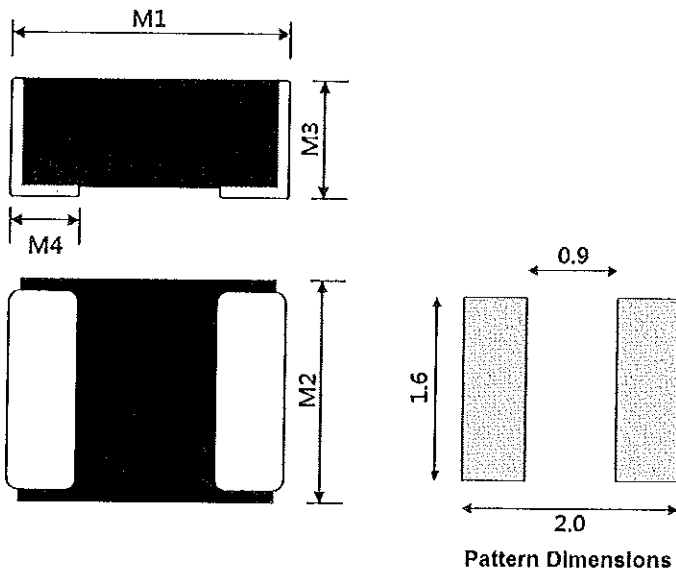


※This is a RoHS and REACH compliant product whose related documents are available on request.  
 ※Graphic is only for dimensionally application.

### 1. PRODUCT IDENTIFICATION



### 2. PRODUCT DIMENSION



UNIT: mm

	DIM.	TOL.
M1	2.0	±0.2
M2	1.6	±0.2
M3	1.0	Max
M4	0.5	±0.3

### 3. ELECTRICAL SPEC.

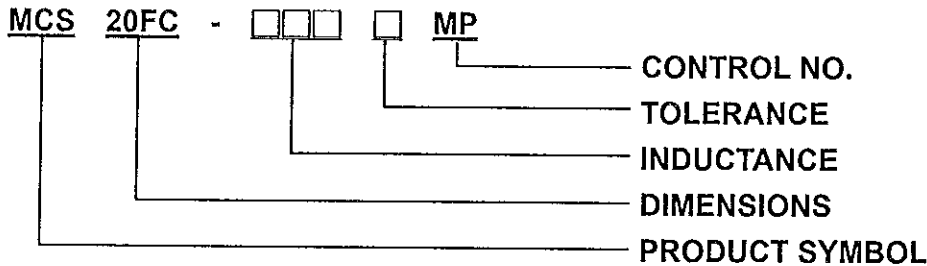
PART NO.	Inductance (uH)	RDC (mΩ)		Isat (A)		Irms (A)	
		Typical	Maximum	Typical	Maximum	Typical	Maximum
MCS20FC-R47MHC	0.47	23	30	6.1	5.3	4.5	4.05
MCS20FC-1R0MHC	1.0	48	60	3.9	3.3	3.2	3.0
MCS20FC-1R5MHC	1.5	86	99	3.4	3.1	2.4	2.2
MCS20FC-2R2MHC	2.2	117	140	2.6	2.45	2.2	2.0

**NOTE:**

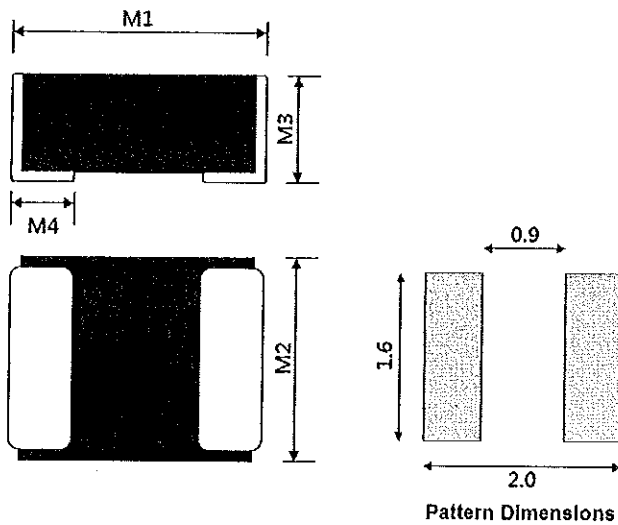
1. Operating Temperature range: -40°C to +125°C
2. Storage Temperature range: -50°C to +125°C
3. Test Frequency: 1MHz/1V
4. All test referenced to 26°C ambient
5. Inductance tolerance ±20%
6. Isat means that DC current will cause a 30% inductance reduction from initial value.
7. Irms means that DC current will cause coil temp. rising to 40°C whichever is smaller.
8. MSL: LEVEL 1

※This is a RoHS and REACH compliant product whose related documents are available on request.  
 ※Graphic is only for dimensionally application.

### 1. PRODUCT IDENTIFICATION



### 2. PRODUCT DIMENSION



UNIT: mm

	DIM.	TOL.
M1	2.0	±0.2
M2	1.6	±0.2
M3	1.0	Max
M4	0.5	±0.3

### 3. ELECTRICAL SPEC.

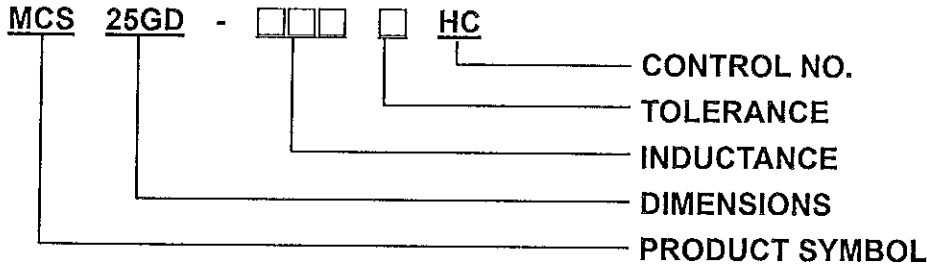
PART NO.	Inductance (uH)	RDC (mΩ)		Isat (A)		Irms (A)	
		Typical	Maximum	Typical	Maximum	Typical	Maximum
MCS20FC-R24MMP	0.24	17	21	5.6	5.05	5.0	4.50
MCS20FC-R33MMP	0.33	24	29	5.0	4.50	4.1	3.69
MCS20FC-R47MMP	0.47	33	40	4.4	4.00	3.5	3.15
MCS20FC-R68MMP	0.68	41	49	3.7	3.33	3.4	3.06
MCS20FC-1R0MMP	1.0	60	69	2.9	2.61	2.6	2.26
MCS20FC-1R5MMP	1.5	114	129	2.5	2.25	2.0	1.81
MCS20FC-2R2MMP	2.2	135	150	1.9	1.71	1.7	1.50

**NOTE:**

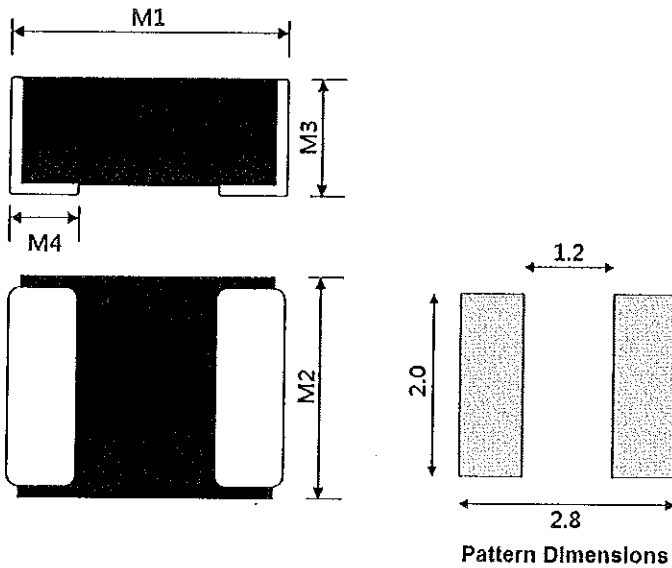
1. Operating Temperature range: -40°C to +125°C
2. Storage Temperature range: -50°C to +125°C
3. Test Frequency: 1MHz/1V
4. All test referenced to 26°C ambient
5. Inductance tolerance ±20%
6. Isat means that DC current will cause a 30% inductance reduction from initial value.
7. Irms means that DC current will cause coil temp. rising to 40°C whichever is smaller.
8. MSL:LEVEL 1

※This is a RoHS and REACH compliant product whose related documents are available on request.  
 ※Graphic is only for dimensionally application.

1. PRODUCT IDENTIFICATION



2. PRODUCT DIMENSION



UNIT: mm

	DIM.	TOL.
M1	2.5	±0.2
M2	2.0	±0.2
M3	1.2	Max
M4	0.6	±0.3

3. ELECTRICAL SPEC.

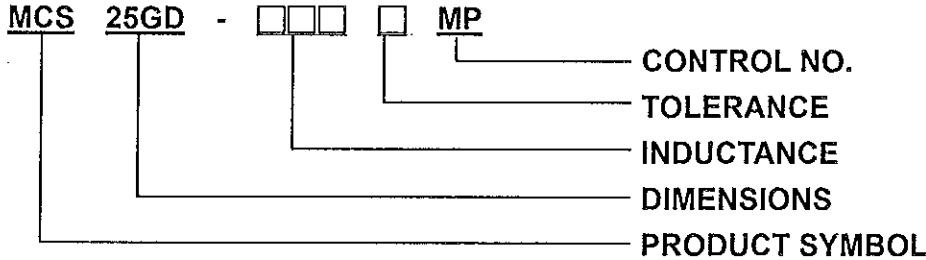
PART NO.	Inductance (uH)	RDC (mΩ)		Isat (A)		Irms (A)	
		Typical	Maximum	Typical	Maximum	Typical	Maximum
MCS25GD-R47MHC	0.47	16	22	6.8	6.2	5.8	4.9
MCS25GD-1R0MHC	1.0	36	44	4.8	4.3	3.9	3.3
MCS25GD-2R2MHC	2.2	74	89	3.5	3.2	2.5	2.2

NOTE:

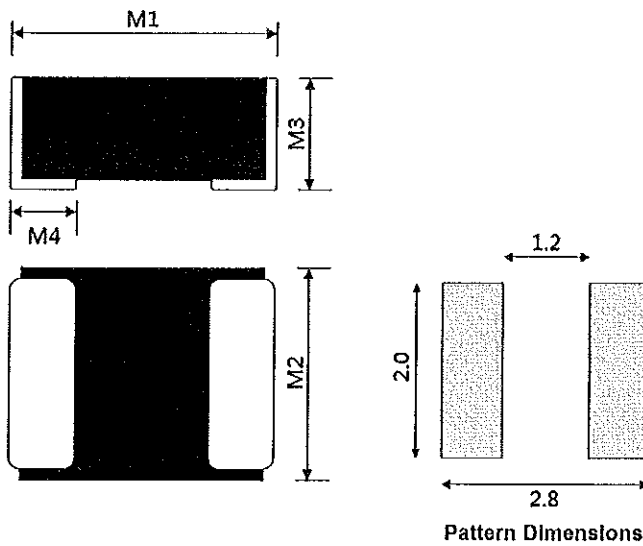
1. Operating Temperature range: -40°C to +125°C
2. Storage Temperature range: -50°C to +125°C
3. Test Frequency: 1MHz/1V
4. All test referenced to 26°C ambient
5. Inductance tolerance ±20%
6. Isat means that DC current will cause a 30% inductance reduction from initial value.
7. Irms means that DC current will cause coil temp. rising to 40°C whichever is smaller.
8. MSL: LEVEL 1

※This is a RoHS and REACH compliant product whose related documents are available on request.  
 ※Graphic is only for dimensionally application.

1. PRODUCT IDENTIFICATION



2. PRODUCT DIMENSION



UNIT: mm

	DIM.	TOL.
M1	2.5	±0.2
M2	2.0	±0.2
M3	1.2	Max
M4	0.6	±0.3

3. ELECTRICAL SPEC.

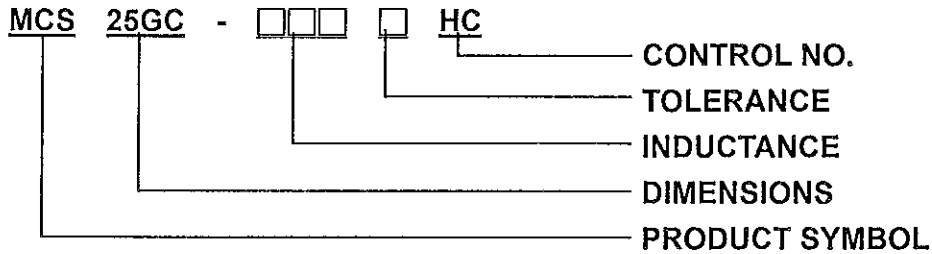
PART NO.	Inductance (uH)	RDC (mΩ)		Isat (A)		Irms (A)	
		Typical	Maximum	Typical	Maximum	Typical	Maximum
MCS25GD-R47MMP	0.47	21	25	5.3	4.95	4.6	4.18
MCS25GD-R68MMP	0.68	29	35	5.0	4.63	3.7	3.36
MCS25GD-1R0MMP	1.0	41	49	4.4	4.04	3.5	3.18
MCS25GD-1R5MMP	1.5	64	77	3.2	2.91	2.5	2.27
MCS25GD-2R2MMP	2.2	85	98	3.0	2.73	2.27	2.06
MCS25GD-4R7MMP	4.7	196	235	1.9	1.58	1.61	1.40

NOTE:

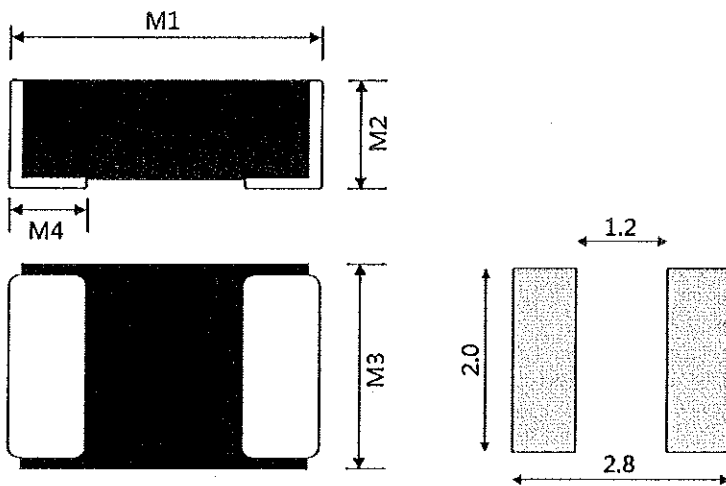
1. Operating Temperature range: -40°C to +125°C
2. Storage Temperature range: -50°C to +125°C
3. Test Frequency: 1MHz/1V
4. All test referenced to 26°C ambient
5. Inductance tolerance ±20%
6. Isat means that DC current will cause a 30% inductance reduction from initial value.
7. Irms means that DC current will cause coil temp. rising to 40°C whichever is smaller.
8. MSL:LEVEL 1

※This is a RoHS and REACH compliant product whose related documents are available on request.  
 ※Graphic is only for dimensionally application.

### 1. PRODUCT IDENTIFICATION



### 2. PRODUCT DIMENSION



	DIM.	TOL.
M1	2.5	±0.2
M2	2.0	±0.2
M3	1.0	MAX.
M4	0.6	±0.3

### 3. ELECTRICAL SPEC.

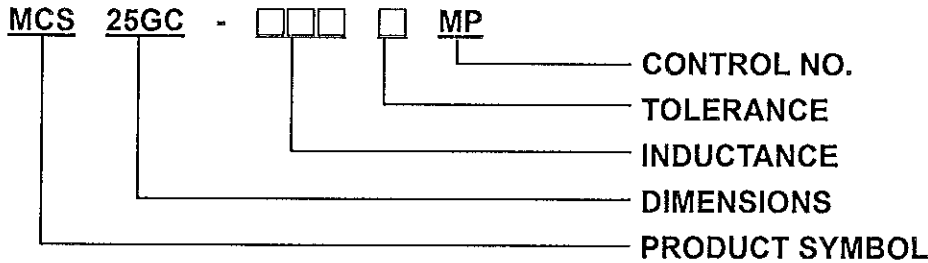
PART NO.	Inductance (uH)±20%	DCR mΩ Typical 26°C	DCR mΩ MAX.26°C	Rated Current Typical (A)	I sat Typical (A)
MCS25GC-R33MHC	0.33	17	22	5.6	7.8
MCS25GC-R47MHC	0.47	23	29	5.2	6.6
MCS25GC-1R0MHC	1.0	41	52	3.4	4.4
MCS25GC-2R2MHC	2.2	88	110	2.4	3.3

- (1). Test Freq : 1MHz , 1V
- (2). All test referenced to 26°C ambient.
- (3). Operating Temperature range: -40°C to +125°C
- (4). Storage Temperature range: -50°C to +125°C
- (5). Isat means that DC current will cause a 30% inductance reduction from initial value.
- (6). Irms means that DC current will cause coil temp. rising to 40°C whichever is smaller.

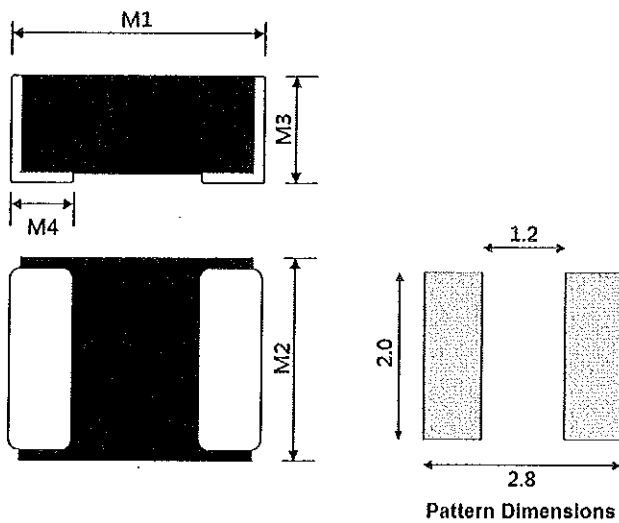
## SPECIFICATION FOR APPROVAL

※This is a RoHS and REACH compliant product whose related documents are available on request.  
 ※Graphic is only for dimensionally application.

### 1. PRODUCT IDENTIFICATION



### 2. PRODUCT DIMENSION



UNIT: mm

DIM.	TOL.
M1	±0.2
M2	±0.2
M3	Max
M4	±0.3

### 3. ELECTRICAL SPEC.

PART NO.	Inductance (uH)	RDC (mΩ)		Isat (A)		Irms (A)	
		Typical	Maximum	Typical	Maximum	Typical	Maximum
MCS25GC-R22MMP	0.22	9	12.5	7.9	7.2	5.9	5.3
MCS25GC-R33MMP	0.33	21	26	6.6	6.0	4.4	4.0
MCS25GC-R47MMP	0.47	27	32	5.0	4.5	3.9	3.51
MCS25GC-R68MMP	0.68	37	44	4.3	3.87	3.4	3.06
MCS25GC-1R0MMP	1.0	45	54	3.5	3.15	3.0	2.70
MCS25GC-1R5MMP	1.5	76	91	2.6	2.34	2.5	2.25
MCS25GC-2R2MMP	2.2	99	119	2.4	2.16	2.3	2.07
MCS25GC-4R7MMP	4.7	220	262	1.8	1.62	1.36	1.22

**NOTE:**

1. Operating Temperature range: -40°C to +125°C
2. Storage Temperature range: -50°C to +125°C
3. Test Frequency: 1MHz/1V
4. All test referenced to 26°C ambient
5. Inductance tolerance ±20%
6. Isat means that DC current will cause a 30% inductance reduction from initial value.
7. Irms means that DC current will cause coil temp. rising to 40°C whichever is smaller.
8. MSL: LEVEL 1

## X-ON Electronics

Largest Supplier of Electrical and Electronic Components

*Click to view similar products for [Fixed Inductors](#) category:*

*Click to view products by [Prosperity](#) manufacturer:*

Other Similar products are found below :

[MLZ1608M6R8WTD25](#) [MLZ1608N6R8LT000](#) [MLZ1608N3R3LTD25](#) [MLZ1608N3R3LT000](#) [MLZ1608N150LT000](#)  
[MLZ1608M150WTD25](#) [MLZ1608M3R3WTD25](#) [MLZ1608M3R3WT000](#) [MLZ1608M150WT000](#) [MLZ1608A1R5WT000](#)  
[MLZ1608N1R5LT000](#) [B82432C1333K000](#) [PCMB053T-1R0MS](#) [PCMB053T-1R5MS](#) [PCMB104T-1R5MS](#) [CR32NP-100KC](#) [CR32NP-151KC](#) [CR32NP-180KC](#) [CR32NP-181KC](#) [CR32NP-1R5MC](#) [CR32NP-390KC](#) [CR32NP-3R9MC](#) [CR32NP-680KC](#) [CR32NP-820KC](#)  
[CR32NP-8R2MC](#) [CR43NP-390KC](#) [CR43NP-560KC](#) [CR43NP-680KC](#) [CR54NP-181KC](#) [CR54NP-470LC](#) [CR54NP-820KC](#) [CR54NP-8R5MC](#)  
[MGDQ4-00004-P](#) [MGDU1-00016-P](#) [MHL1ECTTP18NJ](#) [MHL1JCTTD12NJ](#) [PE-51506NL](#) [PE-53601NL](#) [PE-53630NL](#) [PE-53824SNLT](#) [PE-62892NL](#) [PE-92100NL](#) [PG0434.801NLT](#) [PG0936.113NLT](#) [PM06-2N7](#) [PM06-39NJ](#) [HC2LP-R47-R](#) [HC2-R47-R](#) [HC3-2R2-R](#) [HC8-1R2-R](#)