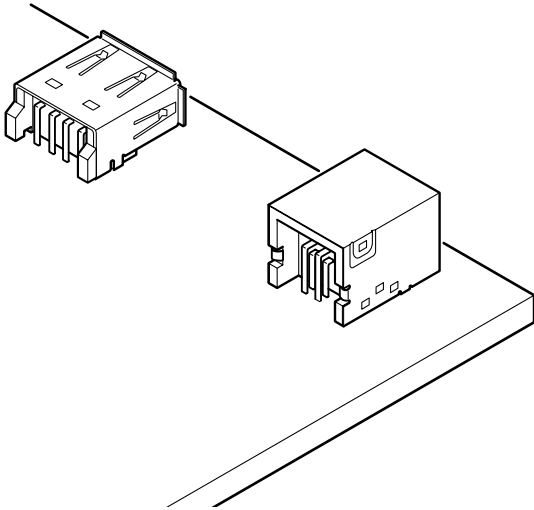




# UB CONNECTOR

## USB (Universal Serial Bus) Conforming Connector



- **Conforms to USB (Universal Serial Bus) 2.0 standards**
- **Secure EMI shielding effect**
- **SMT configuration**

### Specifications

- Current rating: 1.0 A AC, DC/Line
  - Voltage rating: 30 V AC, DC
  - Temperature range: -55°C to +85°C  
(including temperature rise in applying electrical current)
  - Contact resistance: Initial value/ 30 mΩ max.  
After environmental tests/ 10 mΩ max.  
(variation from initial value)
  - Insulation resistance: 1,000 MΩ min.
  - Withstanding voltage: 750 VAC/minute
- \* Refer to "General Instruction and Notice when using Terminals and Connectors" at the end of this catalog.  
\* Contact JST for details.  
\* Compliant with RoHS.

### Standards

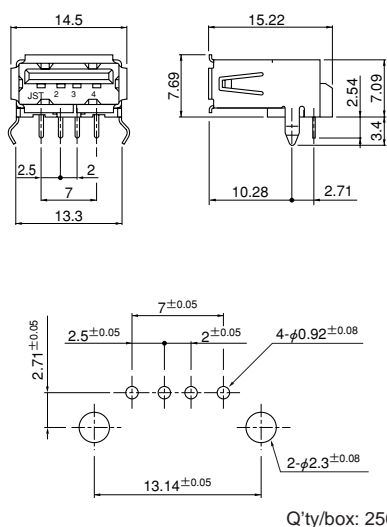
- Ⓜ Recognized E60389
- Ⓢ Certified LR20812

### Receptacle

#### USB 2.0 certified product

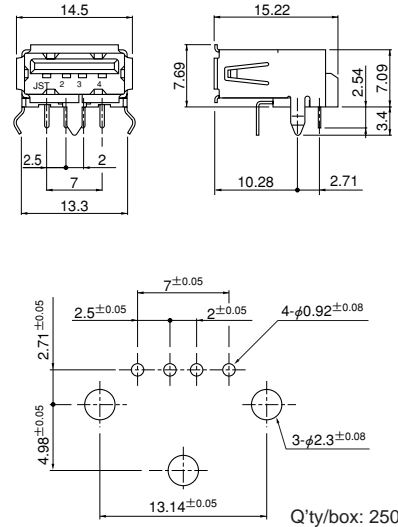
#### Type A <Through-hole type> Normal

TID No.: 6000158



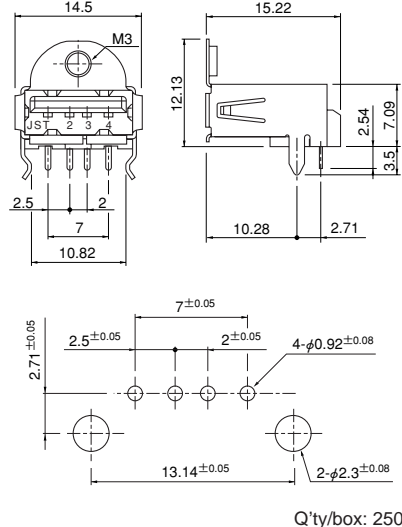
#### Type A <Through-hole type> With solder tab

TID No.: 6000162



#### Type A <Through-hole type> With upper flange

TID No.: 6000163



Model No.	Material and Finish	
UBA-4R-D14-4D	Contact	Copper alloy, nickel-undercoated, selective gold-plated
	Housing	Thermoplastic resin, UL94V-0
	Shell	Copper alloy, nickel-undercoated, tin-plated

RoHS compliance This product displays (LF)(SN) on a label.

Model No.	Material and Finish	
UBA-4R-D14T-4D	Contact	Copper alloy, nickel-undercoated, selective gold-plated
	Housing	Thermoplastic resin, UL94V-0
	Shell	Copper alloy, nickel-undercoated, tin-plated
	Solder tab	Copper alloy, copper-undercoated, tin-plated (reflow treatment)

RoHS compliance This product displays (LF)(SN) on a label.

Model No.	Material and Finish	
UBA-4R-D14C2-4D	Contact	Copper alloy, nickel-undercoated, selective gold-plated
	Housing	Thermoplastic resin, UL94V-0
	Shell	Copper alloy, nickel-undercoated, tin-plated

RoHS compliance This product displays (LF)(SN) on a label.

Note: 1. The dimensions above should serve as a guideline. Contact JST for details.

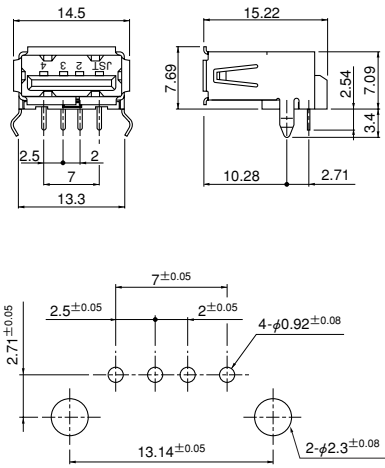
2. Thin gold-plated (Au Flash) product that is USB 2.0 uncertified product (\*\* 10) is also available.

## Receptacle

### USB 2.0 certified product

#### Type A <Through-hole type> Reverse

TID No.: 61000434



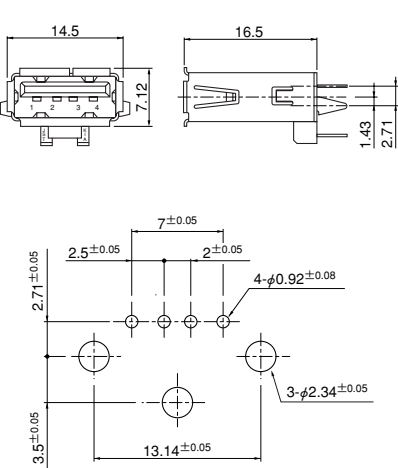
Q'ty/box: 250

Model No.	Material and Finish
UBA-R4R-D14-4D	Contact: Copper alloy, nickel-undercoated, selective gold-plated
	Housing: Thermoplastic resin, UL94V-0
	Shell: Copper alloy, nickel-undercoated, tin-plated

RoHS compliance This product displays (LF)(SN) on a label.

#### Type A <Through-hole type> Straight, normal

TID No.: 6000456



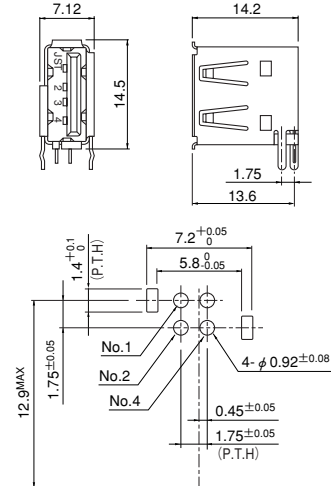
Q'ty/box: 250

Model No.	Material and Finish
UBAS-4R-D14D-4D	Contact: Copper alloy, nickel-undercoated, selective gold-plated
	Housing: Thermoplastic resin, UL94V-0
	Shell: Copper alloy, nickel-undercoated, tin-plated

RoHS compliance This product displays (LF)(SN) on a label.

#### Type A <Through-hole type> Vertical, normal

TID No.: 6000455



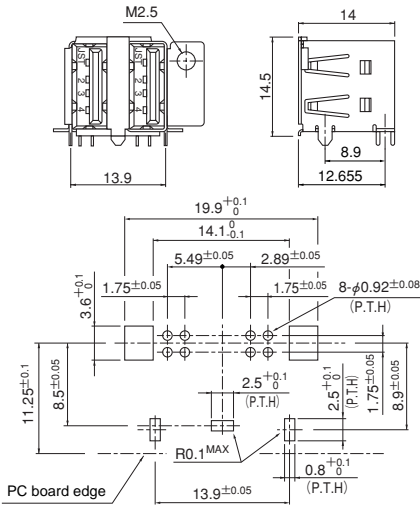
Q'ty/box: 350

Model No.	Material and Finish
UBAL-4R-D14-4S	Contact: Copper alloy, nickel-undercoated, selective gold-plated
	Housing: Thermoplastic resin, UL94V-0
	Shell: Copper alloy, nickel-undercoated, tin-plated

RoHS compliance This product displays (LF)(SN) on a label.

#### Type A <Through-hole type> Vertical, dual-row

TID No.: 60000455



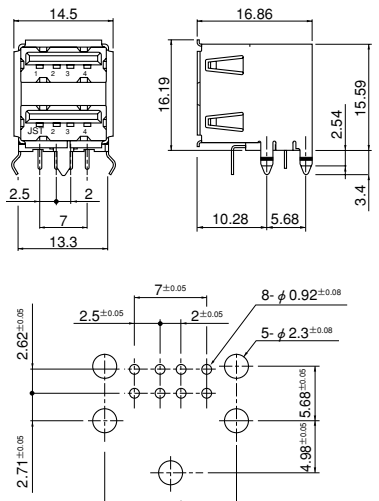
Q'ty/box: 105

Model No.	Material and Finish
UBAL-4RS-D14K-4S	Contact: Copper alloy, nickel-undercoated, selective gold-plated
	Housing: Thermoplastic resin, UL94V-0
	Shell A: Copper alloy, nickel-undercoated, tin-plated
	Shell B: Copper alloy, nickel-undercoated, tin-plated

RoHS compliance This product displays (LF)(SN) on a label.

#### Type A <Through-hole type> Double-stack

TID No.: 60000434



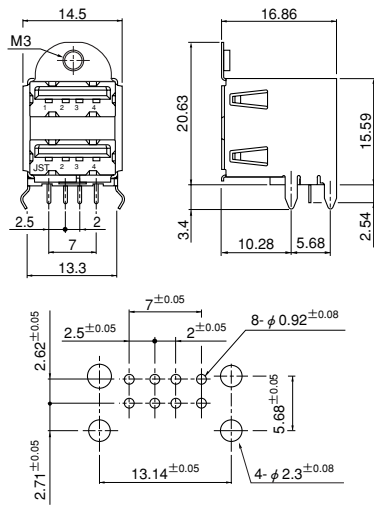
Q'ty/box: 210

Model No.	Material and Finish
UBA-4RS-D14T-4D	Contact: Copper alloy, nickel-undercoated, selective gold-plated
	Housing: Thermoplastic resin, UL94V-0
	Locator
	Shell A: Copper alloy, nickel-undercoated, tin-plated
	Shell B: Copper alloy, nickel-undercoated, tin-plated
Solder tab: Copper alloy, copper-undercoated, tin-plated (reflow treatment)	

RoHS compliance This product displays (LF)(SN) on a label.

#### Type A <Through-hole type> Double-stack with upper flange

TID No.: 61000434



Q'ty/box: 210

Model No.	Material and Finish
UBA-4RS-D14C-4D	Contact: Copper alloy, nickel-undercoated, selective gold-plated
	Housing: Thermoplastic resin, UL94V-0
	Locator
	Shell A: Copper alloy, nickel-undercoated, tin-plated
Shell B: Copper alloy, nickel-undercoated, tin-plated	

RoHS compliance This product displays (LF)(SN) on a label.

Note: 1. The dimensions above should serve as a guideline. Contact JST for details.

2. Thin gold-plated (Au Flash) product that is USB 2.0 uncertified product (\*\* 10) is also available.

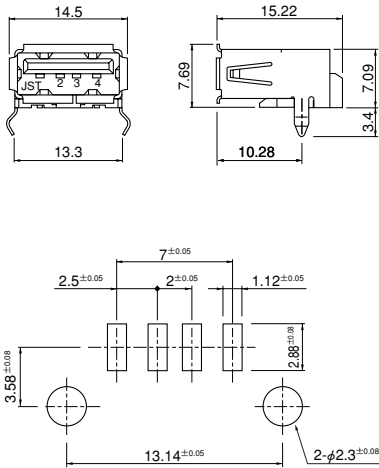
# UB CONNECTOR

## Receptacle

### USB 2.0 certified product

#### Type A <SMT type> Without flange

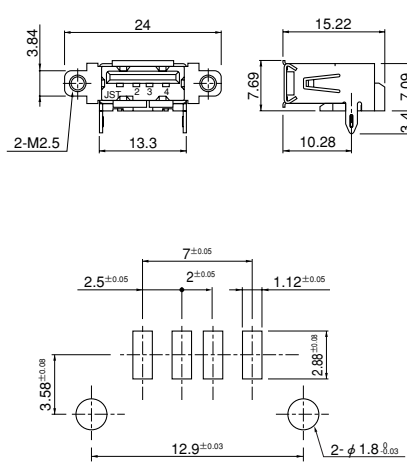
TID No.: 60000160



Q'ty/box: 250

#### Type A <SMT type> With side flange

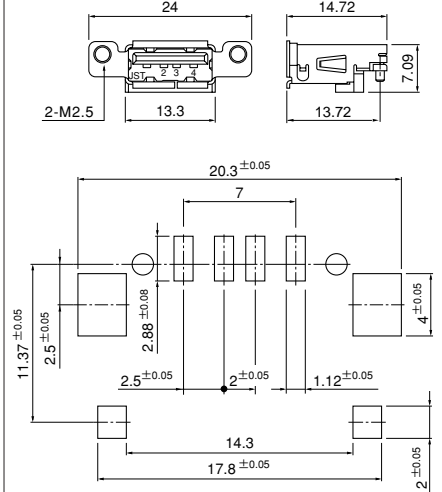
TID No.: 6000171



Q'ty/box: 192

#### Type A <SMT type, offset 3 mm> With side flange

TID No.: 60000172



Q'ty/box: 378

Model No.	Material and Finish	
UBA-4R-S14-4S	Contact	Copper alloy, nickel-undercoated, selective gold-plated
	Housing	Thermoplastic resin, UL94V-0
	Shell	Copper alloy, nickel-undercoated, tin-plated

RoHS compliance This product displays (LF)(SN) on a label.

Model No.	Material and Finish	
UBA-4R-S14A-4S	Contact	Copper alloy, nickel-undercoated, selective gold-plated
	Housing	Thermoplastic resin, UL94V-0
	Shell	Copper alloy, nickel-undercoated, tin-plated

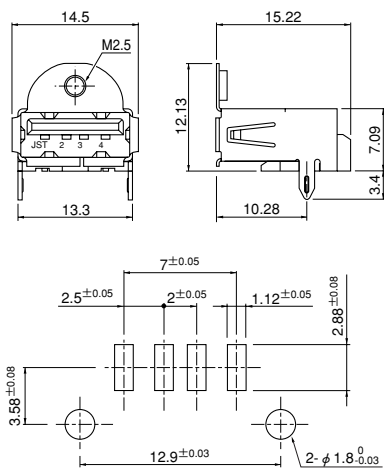
RoHS compliance This product displays (LF)(SN) on a label.

Model No.	Material and Finish	
UBA-4R-S14B-4S	Contact	Copper alloy, nickel-undercoated, selective gold-plated
	Housing	Thermoplastic resin, UL94V-0
	Shell	Copper alloy, nickel-undercoated, tin-plated

RoHS compliance This product displays (LF)(SN) on a label.

#### Type A <SMT type> With upper flange

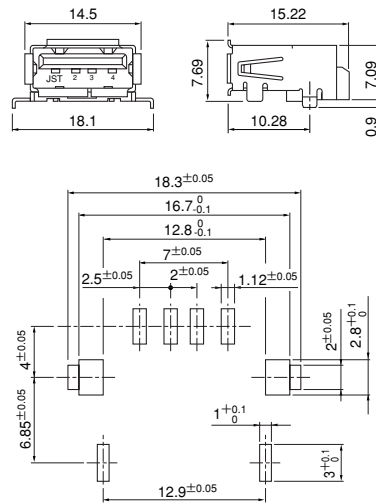
TID No.: 60000174



Q'ty/box: 216

#### Type A <SMT type> FULL SMT

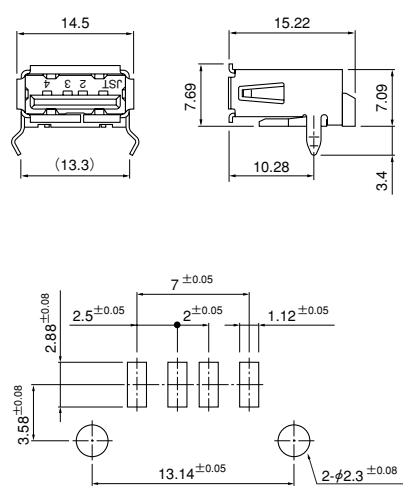
TID No.: 60000434



Q'ty/box: 192

#### Type A <SMT type> Reverse

TID No.: 62000434



Q'ty/box: 250

Model No.	Material and Finish	
UBA-4R-S14C-4S	Contact	Copper alloy, nickel-undercoated, selective gold-plated
	Housing	Thermoplastic resin, UL94V-0
	Shell	Copper alloy, nickel-undercoated, tin-plated

RoHS compliance This product displays (LF)(SN) on a label.

Model No.	Material and Finish	
UBA-4R-S14HD-4S	Contact	Copper alloy, nickel-undercoated, selective gold-plated
	Housing	Thermoplastic resin, UL94V-0
	Shell	Copper alloy, nickel-undercoated, tin-plated

RoHS compliance This product displays (LF)(SN) on a label.

Model No.	Material and Finish	
UBA-R4R-S14-4S	Contact	Copper alloy, nickel-undercoated, selective gold-plated
	Housing	Thermoplastic resin, UL94V-0
	Shell	Copper alloy, nickel-undercoated, tin-plated

RoHS compliance This product displays (LF)(SN) on a label.

Note: 1. The dimensions above should serve as a guideline. Contact JST for details.

2. Thin gold-plated (Au Flash) product that is USB 2.0 uncertified product (\*\* 10) is also available.

## Receptacle

### USB 2.0 certified product

**Type B <Through-hole type>  
With solder tab**  
TID No.: 60000457

Q'ty/box: 270

**Type B <Through-hole type>  
With upper flange**  
TID No.: 60000457

Q'ty/box: 270

**Type B <Through-hole type>  
Straight**  
TID No.: 60000468

Q'ty/box: 600

Model No.	Material and Finish
<b>UBB-4R-D14T-4D</b>	Contact Copper alloy, nickel-undercoated, selective gold-plated
	Housing Thermoplastic resin, UL94V-0
	Shell Copper alloy, nickel-undercoated, tin-plated

**RoHS compliance** This product displays (LF)(SN) on a label.  
 Note: 1. The dimensions above should serve as a guideline. Contact JST for details.  
 2. Thin gold-plated (Au Flash) product that is USB 2.0 uncertified product (\*\* 10) is also available.

Model No.	Material and Finish
<b>UBB-4R-D14C-4D</b>	Contact Copper alloy, nickel-undercoated, selective gold-plated
	Housing Thermoplastic resin, UL94V-0
	Shell Copper alloy, nickel-undercoated, tin-plated

**RoHS compliance** This product displays (LF)(SN) on a label.  
 Note: 1. The dimensions above should serve as a guideline. Contact JST for details.  
 2. Thin gold-plated (Au Flash) product that is USB 2.0 uncertified product (\*\* 10) is also available.

Model No.	Material and Finish
<b>UBBS-4R-D14-4D</b>	Contact Copper alloy, nickel-undercoated, selective gold-plated
	Housing Thermoplastic resin, UL94V-0
	Shell Copper alloy, nickel-undercoated, tin-plated

**RoHS compliance** This product displays (LF)(SN) on a label.  
 Note: 1. The dimensions above should serve as a guideline. Contact JST for details.  
 2. Thin gold-plated (Au Flash) product that is USB 2.0 uncertified product (\*\* 10) is also available.

## Plug type A SMT type

### USB 2.0 certified product

TID No.: 61001068

Q'ty/box: 5,580

Model No.	Material and Finish
<b>UBA-4P-S14E</b>	Contact Copper alloy, nickel-undercoated, selective gold-plated
	Housing Heat resisting resin, UL94V-0
	Shell Copper alloy, nickel-undercoated, palladium-plated

**RoHS compliance** This product displays (LF)(SN) on a label.  
 Note: 1. Not UL/CSA approved.  
 2. The dimensions left should serve as a guideline. Contact JST for details.  
 3. Thin gold-plated (Au Flash) product that is USB 2.0 uncertified product (\*\* 10) is also available.

## X-ON Electronics

Largest Supplier of Electrical and Electronic Components

*Click to view similar products for [USB Connectors](#) category:*

*Click to view products by [JST](#) manufacturer:*

Other Similar products are found below :

[10033527-N3112MLF](#) [17-210561](#) [GMCB05B11124H1EU](#) [17-200931](#) [65-647-8-BK-BU](#) [690-010-295-484](#) [73725-1191BLF](#) [950](#) [E8144-B01021-L](#) [A-USB A-LP-SMT-C](#) [A-USB B-TOP-C](#) [MUSBA511N5](#) [MUSBB15131](#) [MUSBC111M5](#) [MUSBD11135](#) [217450-1](#) [CA 6 W LD](#)  
[896-30-004-00-000000](#) [KUSBVX-BS1N-W30](#) [KUSBX-AP-KIT-SCBLK](#) [KUSBX-AS2N-W](#) [KUSBX-SMT2AP1S-W](#) [KUSBX-SMTAS1NBTR](#) [KUSBX-SMTBS1NBTR](#) [30-498-6](#) [SK-60A-2](#) [17-200261](#) [17-210051](#) [1734082-1](#) [FK-37-32SL](#) [30-1574](#) [30-470](#) [30-489](#) [30-541](#) [30-572-3](#) [30-9503](#) [M9177/2-1](#) [MAB 5 S](#) [MIKROE-1451](#) [33UBBR-04SW11R](#) [USBFTV2PEM2G](#) [USBFTVC6ZN](#) [USBFTVSCCG](#)  
[KUSBX-AS2N-W30](#) [KUSBX-SLAS1N-W](#) [KUSBX-SLAS1N-W30](#) [1-1734084-2](#) [E8110-001-01](#) [MUSBC11135](#) [NK-27-32SL](#)