

REV	A		
ECN NO.			
DESCRIPTION	変更料号		
DATE	16/11/22		
DESIGN	新亮		

NOTES:

CURRENT RATING:3A AC/DC.

VOLTAGE RATING:250V AC/DC

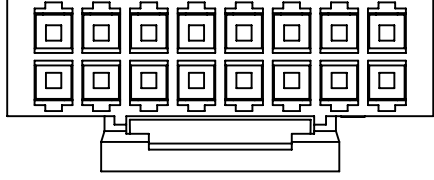
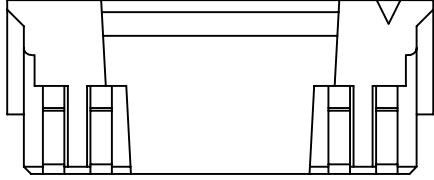
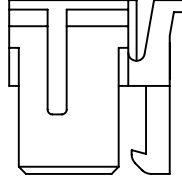
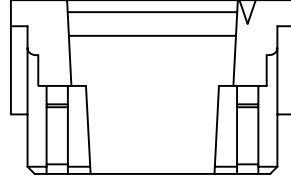
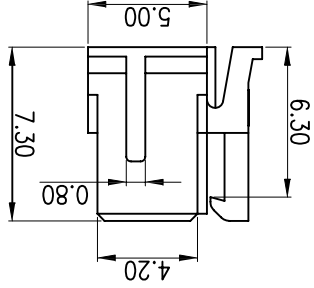
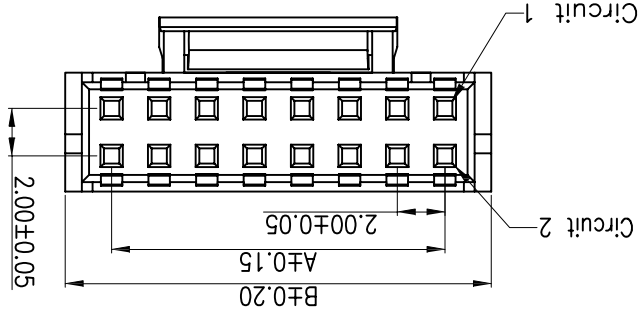
TEMPERATURE RANGE:-40°C~+105°C.

CONTACT RESISTANCE:10MΩ Max.

INSULATION RESISTANCE:1000MΩ Min.

WITHSTANDING VOLTAGE: 800V AC/MINUTE.

MATERIAL:PA66.UL94V-0.



PART NO.		A	B
Dimensions			
A2006HC-2X02P	2.00	6.00	
A2006HC-2X03P	4.00	8.00	
A2006HC-2X04P	6.00	10.00	
A2006HC-2X05P	8.00	12.00	
A2006HC-2X06P	10.00	14.00	
A2006HC-2X07P	12.00	16.00	
A2006HC-2X08P	14.00	18.00	
A2006HC-2X09P	16.00	20.00	
A2006HC-2X10P	18.00	22.00	
A2006HC-2X11P	20.00	24.00	
A2006HC-2X12P	22.00	26.00	
A2006HC-2X13P	24.00	28.00	
A2006HC-2X14P	26.00	30.00	
A2006HC-2X15P	28.00	32.00	
A2006HC-2X16P	30.00	34.00	
A2006HC-2X17P	32.00	36.00	
A2006HC-2X18P	34.00	38.00	
A2006HC-2X19P	36.00	40.00	
A2006HC-2X20P	38.00	42.00	

CNJM Joint More Precision electronics Co.,Ltd.

DRAW NO.		DATE		P/N NO.	A2006HC-2XNP	DRAW NAME:	
DESIGN:	陈雪峰	2015.10.09		CHECK:	杨焯		
REVIEW:				REV.A/1	SCALE 1:1	UNIT: mm	SHEET 1 OF 1

DIM	TOL	X.XX	/
DIM	TOL	X.X	/
DIM	TOL	X.X	0.25
DIM	TOL	X.XX	0.15
DIM	TOL	X.XXX	0.10
DIM	TOL	X.XXX	/

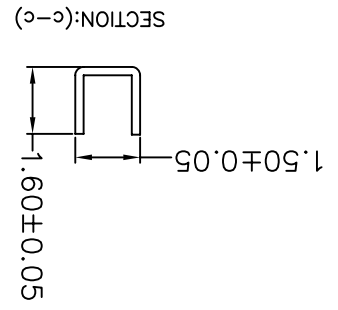
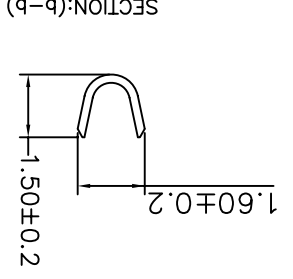
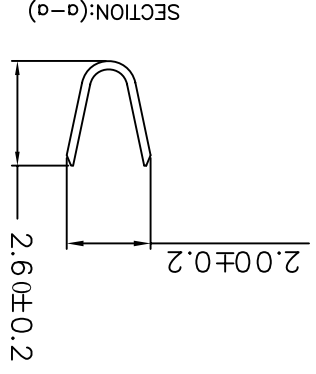
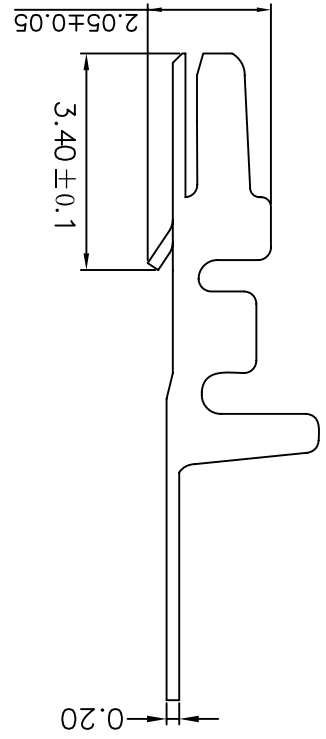
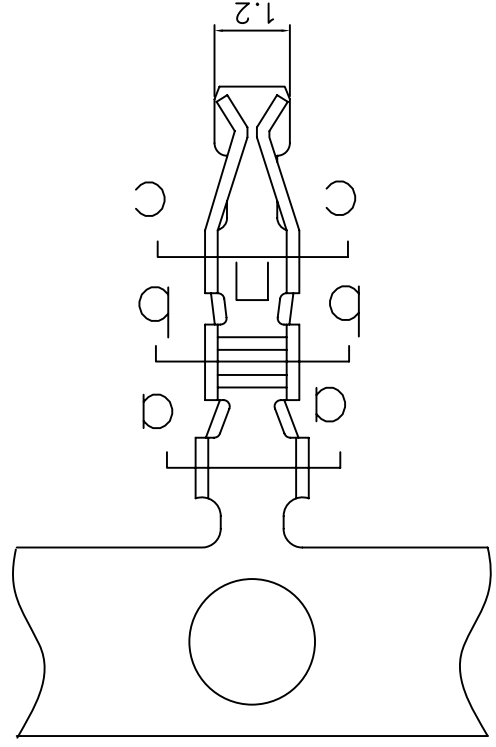
Part NO.	Wire range	Insulation O.D.	Materials	Finish	Qty/reel
A2006-TP	AWG#22-28	1.5mm(max)	Phosphor Bronze	Tin-plated	10000PCS
A2006-1PE	AWG#22-28	1.5mm(max)	Phosphor Bronze	Tin-plated	10000PCS

DIM	TOL	DIM	TOL
X.XX	/	X.XX	/
X.XX	0.15	X.XX	/
X.X	0.25	X.X	/
X.	/	X.	/
DIM	TOL	DIM	TOL
X.XXX°	/	X.XXX°	/

REV. NO.	DATE	P/N NO.	DESIGN	CHECK	REVIEW
A	2017.06.08	A2006-XXX	陈雪峰	杨焯	

REV. A/1	SCALE 1:1	UNIT: mm	SHEET: 1 OF 1
DRAW NAME: 2.0mm pitch Terminal			

CNJM Joint More Precision electronics Co.,Ltd.



REV. A	ECN NO.	DESCRIPTION	DATE
		變遷料号	16/11/22
		苏亮	

REV.	A	
ECN NO.		
DESCRIPTION	变更料号	
DATE	16/01/09	苏亮
DESIGN		

SPECIFICATIONS

- 1) Voltage rating: 250V AC,DC.
- 2) Current rating: 3A AC,DC.
- 3) Withstanding voltage: 800V AC/minute.
- 4) Insulation resistance: 1,000M Ohm min.
- 5) Temperature range: -40~+105°.
- 6) Contact resistance: Initial value/10m ohm max, after environmental testg /20m ohm max.

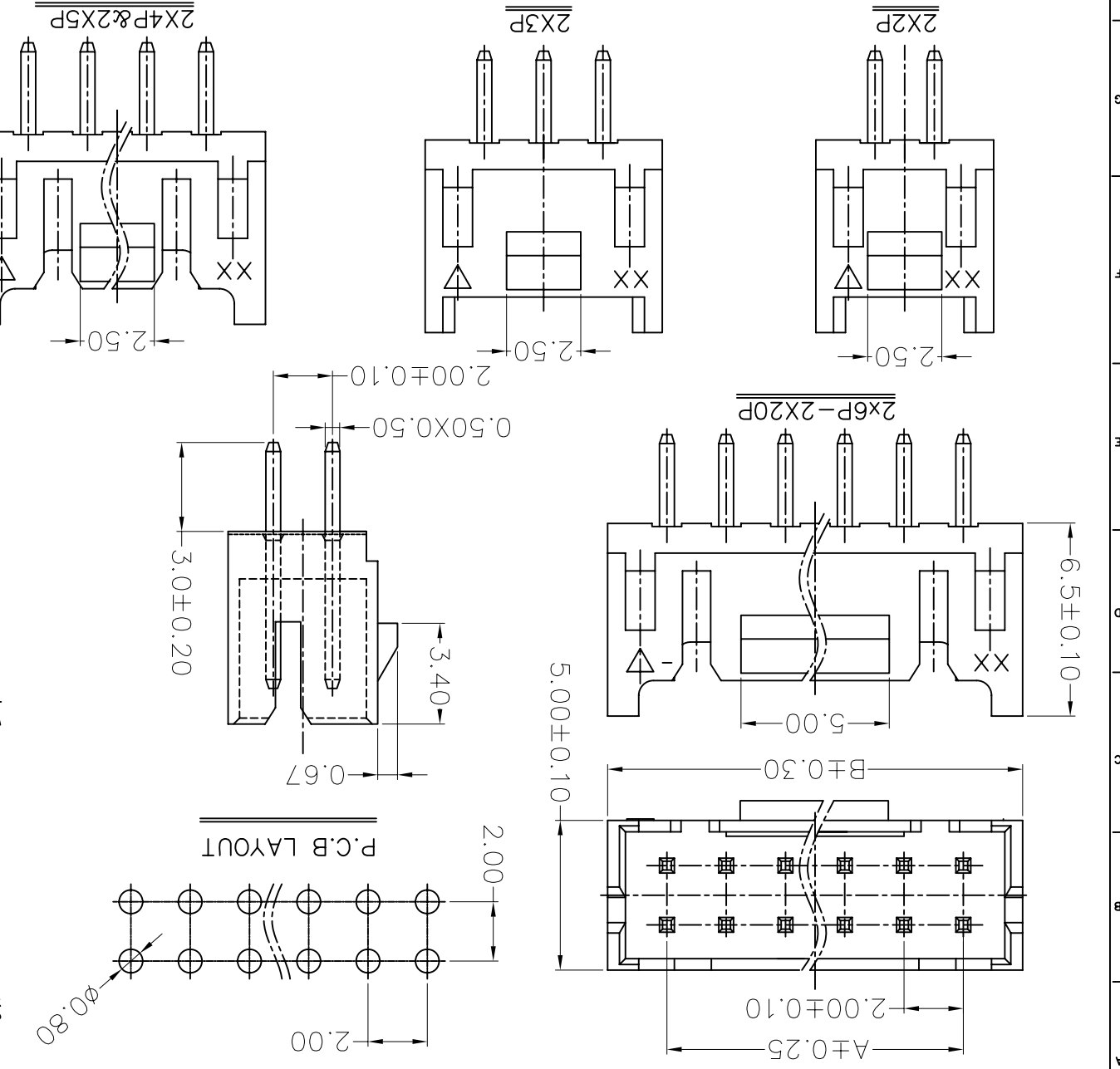
WAFER

- 1) Part No.: A2006WVC-2XNP
- 2) Poles: 4-40
- 3) Material: Contact: Brass, Tin plated
Base: PA66+GF UL94V-0
- 4) Qty: 1000pcs/bag

Poles	Part No.		Dimensions	
	A	B	A	B
4	A2006WVC-2X02P	2.00	4.00	6.00
6	A2006WVC-2X03P	4.00	6.00	8.00
8	A2006WVC-2X04P	6.00	8.00	10.00
10	A2006WVC-2X05P	8.00	10.00	12.00
12	A2006WVC-2X06P	10.00	12.00	14.00
14	A2006WVC-2X07P	12.00	14.00	16.00
16	A2006WVC-2X08P	14.00	16.00	18.00
18	A2006WVC-2X09P	16.00	18.00	20.00
20	A2006WVC-2X10P	18.00	20.00	22.00
22	A2006WVC-2X11P	20.00	24.00	24.00
24	A2006WVC-2X12P	22.00	26.00	26.00
26	A2006WVC-2X13P	24.00	28.00	28.00
28	A2006WVC-2X14P	26.00	30.00	30.00
30	A2006WVC-2X15P	28.00	32.00	32.00
32	A2006WVC-2X16P	30.00	34.00	34.00
34	A2006WVC-2X17P	32.00	36.00	36.00
36	A2006WVC-2X18P	34.00	38.00	38.00
38	A2006WVC-2X19P	36.00	40.00	40.00
40	A2006WVC-2X20P	38.00	42.00	42.00

CNJM Joint More Precision electronics Co., Ltd.

DRAW NO.	DATE	P/N NO.	DRAW NAME:
DESIGN:	2017.06.03	A2006WVC-2XNP	2.0mm pitch wafer 带扣
CHECK:	陈雪峰		
REVIEW:	杨焯		
REV. A/1	SCALE 1:1	UNIT: mm	SHEET: 1 OF 1



DIM	TOL	X.XXX	0.10	X.XXX
DIM	TOL	X.XX	0.15	X.XX
DIM	TOL	X.X	0.25	X.X
DIM	TOL	X.		X.
DIM	TOL	X.		X.

DIM	X.XX	X.XXX
TOL	0.15	0.10
DIM	X.X	X.XXX
TOL	0.25	0.10
DIM	X.	X.XXX
TOL	/	/

REV. A/1	SCALE 1:1	UNIT: mm	SHEET: 1 OF 1
REVIEW:	CHECK: 杨焯	DESIGN: 陈喜峰	DATE: 2017.06.03
REV. A/1	SCALE 1:1	UNIT: mm	SHEET: 1 OF 1

REV. A/1	SCALE 1:1	UNIT: mm	SHEET: 1 OF 1
REVIEW:	CHECK: 杨焯	DESIGN: 陈喜峰	DATE: 2017.06.03
REV. A/1	SCALE 1:1	UNIT: mm	SHEET: 1 OF 1

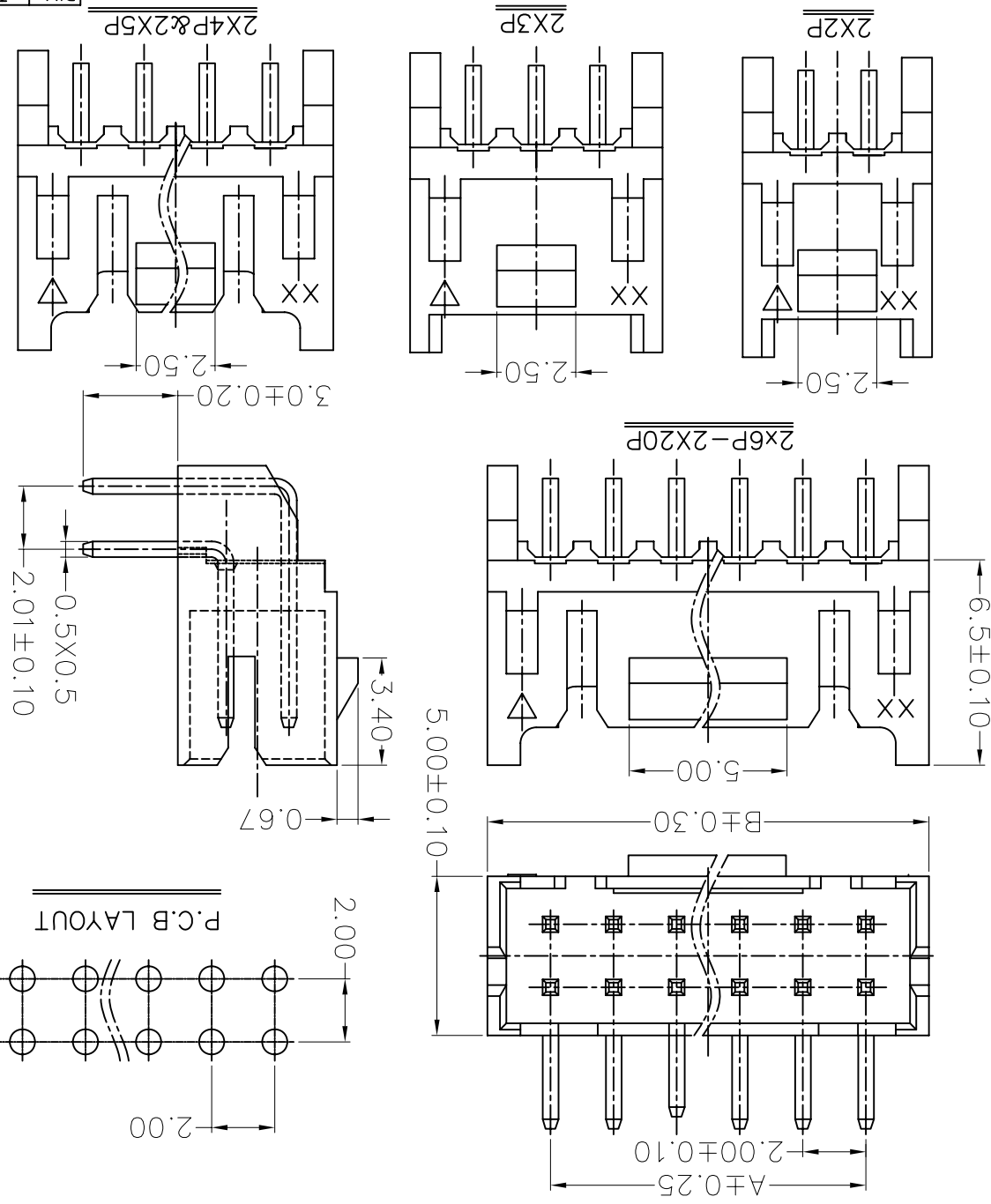
CNJM Joint More Precision electronics Co., Ltd.

Part No.	Dimensions
A2006WRC-2X02P	2.00
A2006WRC-2X03P	4.00
A2006WRC-2X04P	6.00
A2006WRC-2X05P	8.00
A2006WRC-2X06P	10.00
A2006WRC-2X07P	12.00
A2006WRC-2X08P	14.00
A2006WRC-2X09P	16.00
A2006WRC-2X10P	18.00
A2006WRC-2X11P	20.00
A2006WRC-2X12P	22.00
A2006WRC-2X13P	24.00
A2006WRC-2X14P	26.00
A2006WRC-2X15P	28.00
A2006WRC-2X16P	30.00
A2006WRC-2X17P	32.00
A2006WRC-2X18P	34.00
A2006WRC-2X19P	36.00
A2006WRC-2X20P	38.00
A2006WRC-2X21P	40.00
A2006WRC-2X22P	42.00

1) Part No.: A2006WRC-2XNP
 2) Poles: 4-40
 3) Material: Contact: Brass, Tin plated
 Base: PA66+GF UL94V-0
 4) Qty: 1000pcs/bag

WAFER
 1) Voltage rating: 250V AC, DC.
 2) Current rating: 3A AC, DC.
 3) Withstanding voltage: 800V AC/minute.
 4) Insulation resistance: 1,000M Ohm min.
 5) Temperature range: -25~+85°.
 6) Contact resistance: Initial value/10m
 omega max, after environmental testy
 /20m omega max.

REV. A	DESCRIPTION	变更料号	DATE	16/01/09
ECN NO.	DESCRIPTION	变更料号	DATE	16/01/09



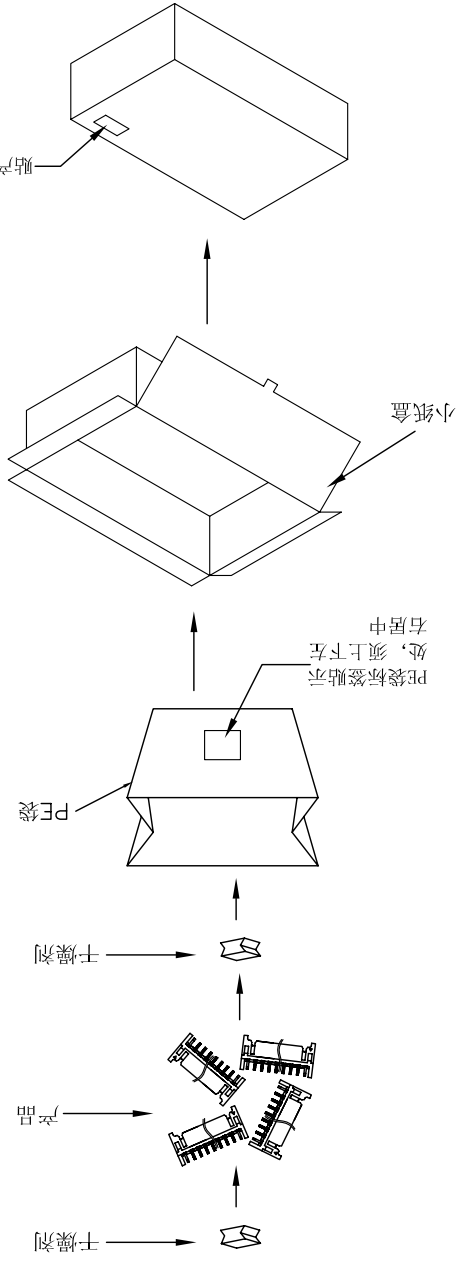
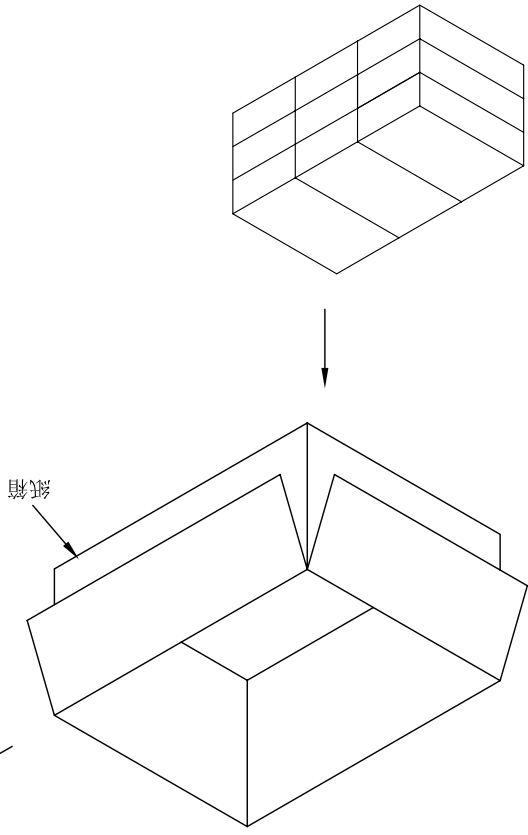
DIM	TOL	X.XX	0.10	X.XXX
DIM	TOL	X.XX	0.15	X.XXX
DIM	TOL	X.X	0.25	X.XX
DIM	TOL	X.	/	X.
DIM	TOL	/	/	/

REVIEW:			
CHECK:	杨焯		
DESIGN:	陈雪峰	2017.2.9	
DATE			

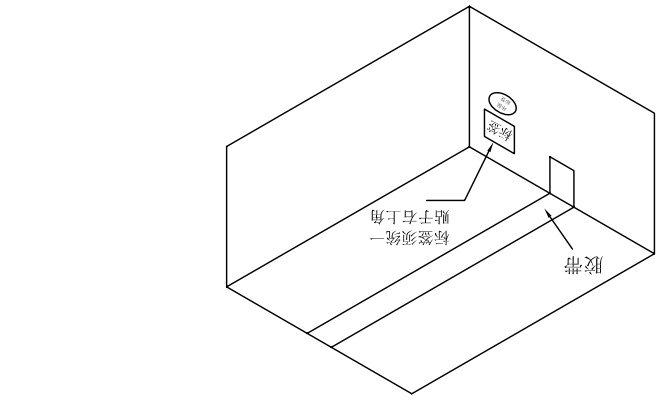
REV. A/1	SCALE 1:1	UNIT: mm	SHEET: 1 OF 1
DRAW NAME:		P/N NO:	
PHI2.0 90° Wafer 系列袋装包装规范			

CNJM Joint More Precision electronics Co., Ltd.

产品料号	PE袋规格	PE袋包装数量	纸箱包装数量
A2006WR-2X02P	18*24cm	1000	9000
A2006WR-2X03P	18*24cm	1000	9000
A2006WR-2X04P	18*24cm	1000	9000
A2006WR-2X05P	21*26cm	1000	4500
A2006WR-2X06P	18*24cm	500	4500
A2006WR-2X07P	18*24cm	500	4500
A2006WR-2X08P	21*26cm	500	4500
A2006WR-2X09P	21*26cm	500	4500
A2006WR-2X10P	21*26cm	500	4500
A2006WR-2X11P	21*26cm	500	4500
A2006WR-2X12P	21*26cm	400	3600
A2006WR-2X13P	21*26cm	400	3600
A2006WR-2X14P	21*26cm	300	2700
A2006WR-2X15P	21*26cm	300	2700
A2006WR-2X16P	21*26cm	200	1800
A2006WR-2X17P	21*26cm	200	1800
A2006WR-2X18P	21*26cm	200	1800
A2006WR-2X19P	21*26cm	150	1350
A2006WR-2X20P	21*26cm	150	1350



- 注意:
1. 将产品轻轻放入PE袋并在PE袋底部和口部各放一包干燥剂, 不能将产品端子或PIN针弄变形, 最后将PE袋密封好, 后在PE袋外贴1PCS产品标签;
 2. 将封好的PE袋装入小纸盒内并扣上小纸盒盖子, 每个小纸盒内只放一袋产品。(小纸盒外右上角需贴1PCS产品标示)
 3. 将装好产品的小纸盒平放入纸箱内, 每层平放3盒, 每箱放3层, 共计9盒, 封好纸箱并在侧面右上角贴1PCS出货标签;
 4. PE袋规格: 详见包装列表(PE袋规格为无孔), 每PE袋放入产品的数量及整箱的数量, 不能多放或少放。小纸盒规格: 25*15*7CM
纸箱规格: 18.5*10.5*11英寸



REV.	ECON NO.	DESCRIPTION	DATE	DESIGN
A				

X.XXX	X.XXX
X.XX	X.XX
X.X	X.X
X.	X.
DIM TOL	DIM TOL
0.10	0.15
0.25	0.25
0.50	0.50
1.00	1.00
2.00	2.00
5.00	5.00
10.00	10.00
20.00	20.00
50.00	50.00
100.00	100.00
200.00	200.00
500.00	500.00
1000.00	1000.00

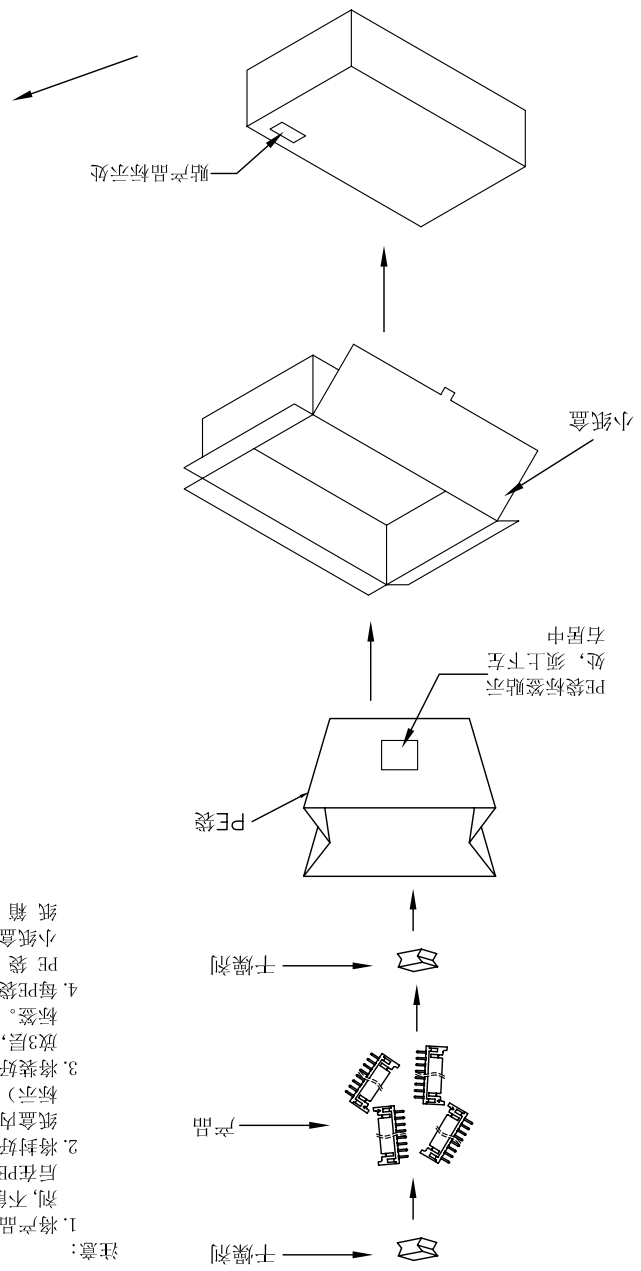
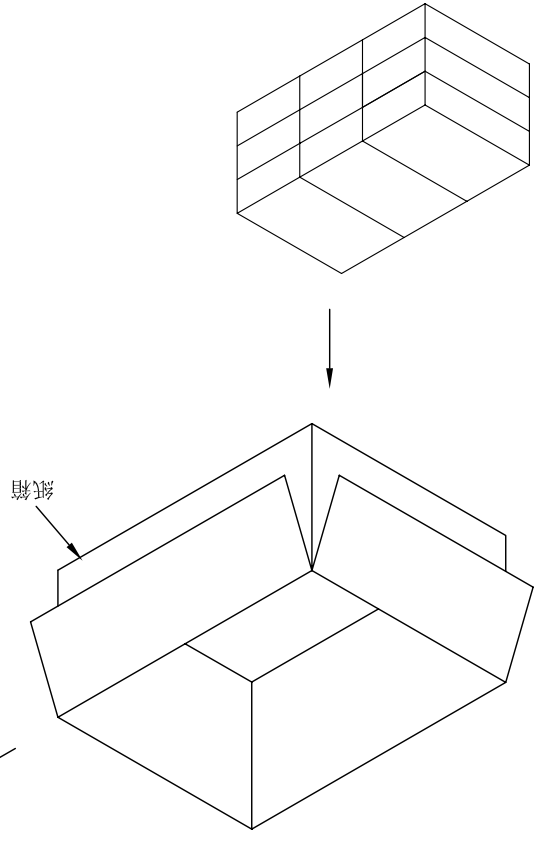
REV.:	
CHECK:	杨焯
DESIGN:	陈雪峰
DATE:	2017.06.03
DRAW NO.:	
P/N NO.:	
REV. A	
SCALE 1:1	
UNIT: mm	
SHEET: 1 OF 1	

DRAW NAME: PH02.0 180° Water 系列袋装包装规范

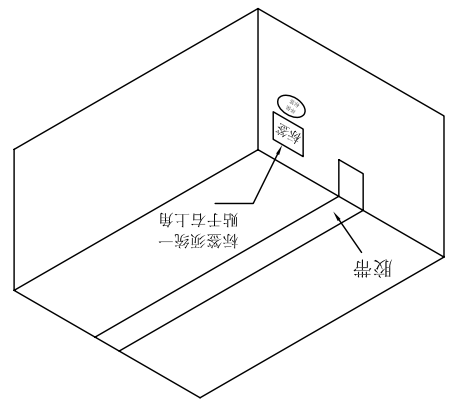
CNJM Joint More Precision electronics Co., Ltd.

产品料号	PE袋规格	PE袋包装数量 PCS/袋	纸箱包装数量 PCS/箱
A2006W-2X02P	18*24cm	1000	9000
A2006W-2X03P	18*24cm	1000	9000
A2006W-2X04P	18*24cm	1000	9000
A2006W-2X05P	21*26cm	1000	9000
A2006W-2X06P	18*24cm	1000	9000
A2006W-2X07P	18*24cm	1000	9000
A2006W-2X08P	21*26cm	1000	9000
A2006W-2X09P	21*26cm	500	4500
A2006W-2X10P	21*26cm	500	4500
A2006W-2X11P	21*26cm	500	4500
A2006W-2X12P	21*26cm	500	4500
A2006W-2X13P	21*26cm	500	4500
A2006W-2X14P	21*26cm	500	4500
A2006W-2X15P	21*26cm	500	4500
A2006W-2X16P	21*26cm	400	3600
A2006W-2X17P	21*26cm	400	3600
A2006W-2X18P	21*26cm	400	3600
A2006W-2X19P	21*26cm	200	1800
A2006W-2X20P	21*26cm	200	1800

REV.:			
ECON NO.:			
DESCRIPTION			
DATE			
DESIGN			



- 注意:
- 将产品轻轻放入PE袋并在PE袋底部和口部各放一包干燥剂, 不能将产品端子或PIN针弄变形, 最后将PE袋密封好后在PE袋外贴1PCS产品标签。
 - 将封好的PE袋装入小纸盒内并扣上小纸盒盖子, 每个小纸盒内只放一袋产品。(小纸盒外右上角需贴1 PCS产品标签)
 - 将装好产品的小纸盒平放入纸箱内, 每层平放3盒, 每箱放3层, 共计9盒, 封好纸箱并在侧面右上角贴1PCS出货标签。
 - 每PE袋放入产品的数量及整箱的数量, 不能多放或少放。PE袋规格: 详见包装列表(PE袋规格为无孔)
小纸盒规格: 25*15*7CM
纸箱规格: 18.5*10.5*11英寸



X-ON Electronics

Largest Supplier of Electrical and Electronic Components

Click to view similar products for [Headers & Wire Housings](#) category:

Click to view products by [CNJM](#) manufacturer:

Other Similar products are found below :

[95000-104TRLF](#) [10135584-644402LF](#) [DF62W-EP2022PCA](#) [95000-106TRLF](#) [DF62W-2022SCA](#) [DF62W-EP2022PC](#) [2203348](#) [DF62W-2022SC](#) [1084018](#) [1029039](#) [1084017](#) [802-10-012-10-002000](#) [1112640](#) [1112639](#) [891-007-9SS-BST1T](#) [000-34000](#) [0008550134](#) [0009482033](#) [0009507031](#) [57102-F02-18ULF](#) [57102-S06-03LF](#) [57202-S52-04LF](#) [PCN6-15S-2.5E](#) [0039019024](#) [58102-G61-06LF](#) [582553-1](#) [0009485154](#) [0009508121](#) [0022285053](#) [0050291907](#) [018731A](#) [LY20-4P-DT1-P1E-BR](#) [02.125.8002.8](#) [60101931](#) [60598-1 \(Cut Strip\)](#) [M1625-3R/100](#) [61062-3](#) [61082-181009](#) [CSU011177004](#) [636-1427](#) [638009-1](#) [641938-9](#) [641991-4](#) [644168-1](#) [644827-2](#) [647662-1](#) [65039-019ELF](#) [65692-001LF](#) [65781-018](#) [65781-047](#)