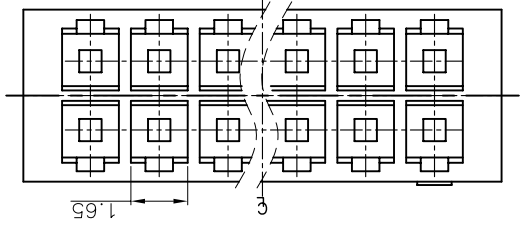
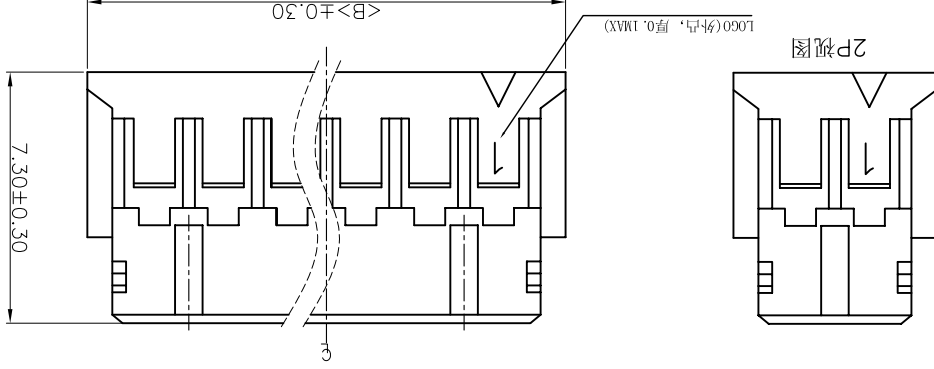
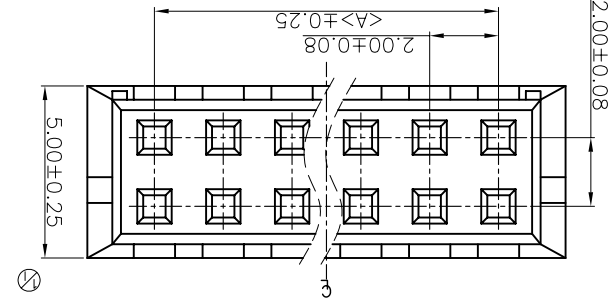
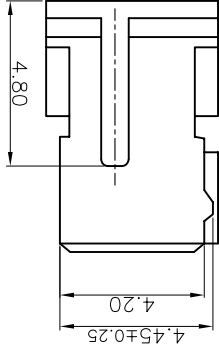
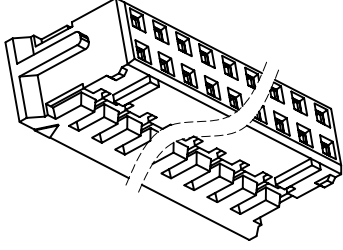


REV.	A	
ECN NO.		
DESCRIPTION	委重料号	
DATE	16/11/22	
DESIGN	苏亮	

NOTES:

CURRENT RATING:3A AC/DC.
 VOLTAGE RATING:250V AC/DC
 TEMPERATURE RANGE:-40°C~+105°C.
 CONTACT RESISTANCE:10MΩ Max.
 INSULATION RESISTANCE:1000MΩ Min.
 WITHSTANDING VOLTAGE: 800V AC/MINUTE.
 WATRLAL:PA66.UL94V-0.

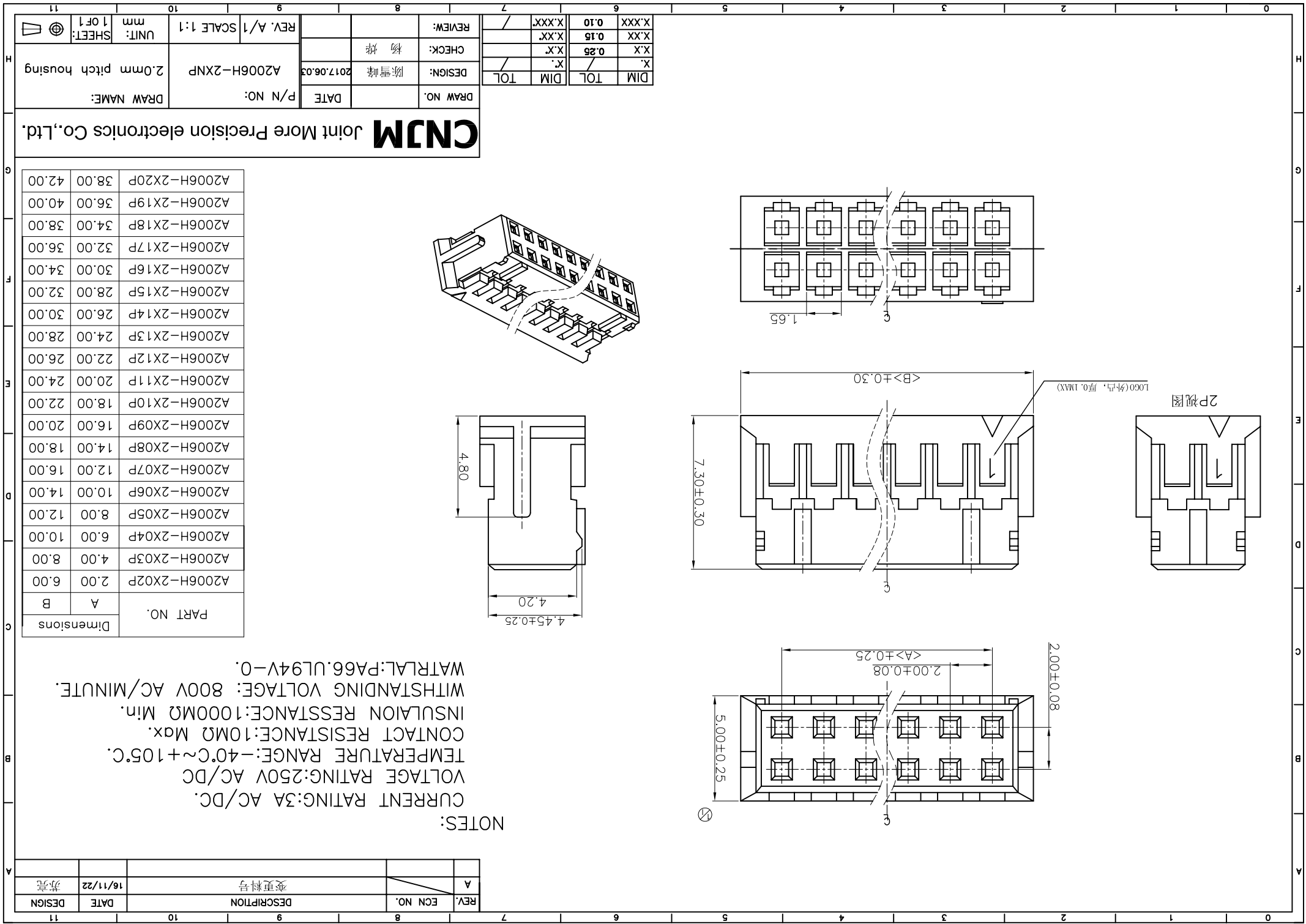
PART NO.	Dimensions	
	A	B
A2006H-2X02P	2.00	6.00
A2006H-2X03P	4.00	8.00
A2006H-2X04P	6.00	10.00
A2006H-2X05P	8.00	12.00
A2006H-2X06P	10.00	14.00
A2006H-2X07P	12.00	16.00
A2006H-2X08P	14.00	18.00
A2006H-2X09P	16.00	20.00
A2006H-2X10P	18.00	22.00
A2006H-2X11P	20.00	24.00
A2006H-2X12P	22.00	26.00
A2006H-2X13P	24.00	28.00
A2006H-2X14P	26.00	30.00
A2006H-2X15P	28.00	32.00
A2006H-2X16P	30.00	34.00
A2006H-2X17P	32.00	36.00
A2006H-2X18P	34.00	38.00
A2006H-2X19P	36.00	40.00
A2006H-2X20P	38.00	42.00



CNJM Joint More Precision electronics Co.,Ltd.

DRAW NO.:	DATE:	P/N NO.:	DRAW NAME:
DESIGN:	陈雪峰	A2006H-2XNP	2.0mm pitch housing
CHECK:	杨焯	REV. A/1	SCALE 1:1
REVIEW:		UNIT: mm	SHEET: 1 OF 1

DIM	TOL	X.XX	/
DIM	TOL	X.X	/
DIM	TOL	X.XX	/
DIM	TOL	X.XX	/
DIM	TOL	0.10	/
DIM	TOL	0.15	/
DIM	TOL	0.25	/



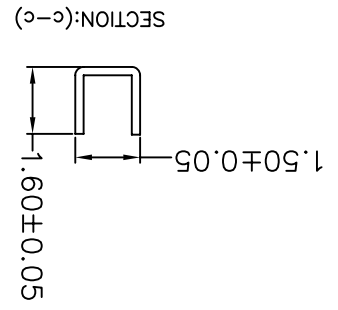
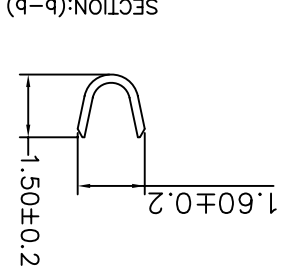
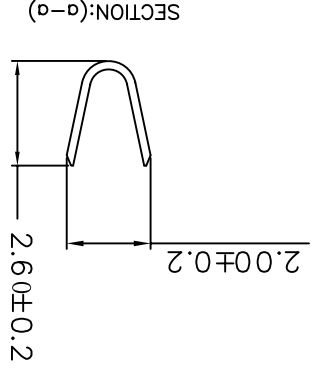
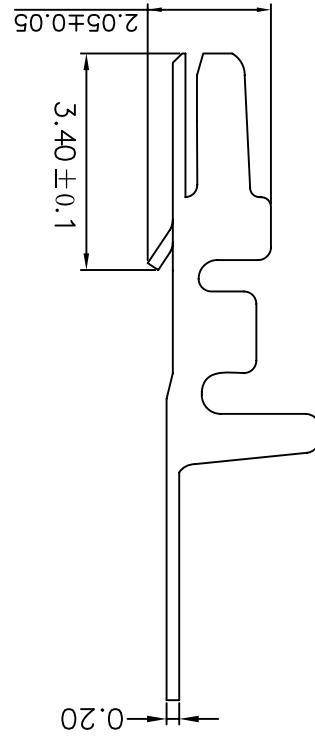
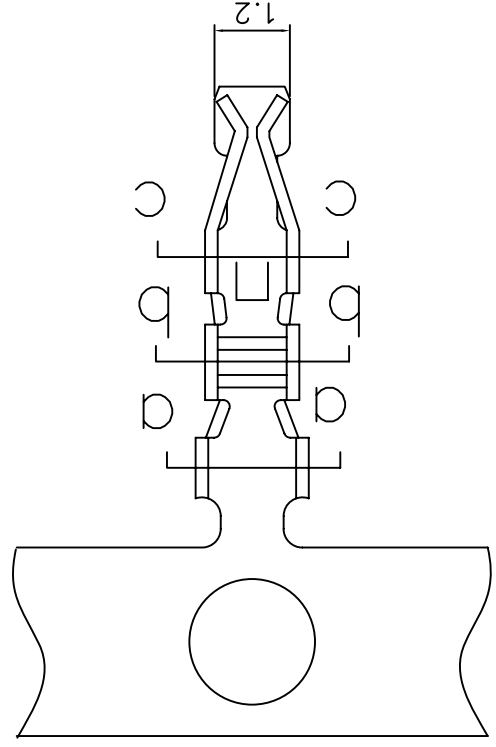
Part NO.	Wire range	Insulation O.D.	Materials	Finish	Qty/reel
A2006-TP	AWG#22-28	1.5mm(max)	Phosphor Bronze	Tin-plated	10000PCS
A2006-TPFE	AWG#22-28	1.5mm(max)	Phosphor Bronze	Tin-plated	10000PCS

DIM	TOL	DIM	TOL
X.XX	/	X.XX	/
X.XX	0.15	X.XX	0.10
X.X	0.25	X.X	/
X	/	X	/
DIM	TOL	DIM	TOL

REV.:	REVIEW:
ECN NO.	CHECK:
DATE	DESIGN:
	2017.06.08
	陈雪峰
	杨焯

REV.:	SCALE	UNIT:	SHEET:
A/1	1:1	mm	1 OF 1
P/N NO:		DRAW NAME:	
A2006-XXX		2.0mm pitch Terminal	

CNJM Joint More Precision electronics Co.,Ltd.



REV.:	DESCRIPTION	DATE	DESIGN
A	变更料号	16/11/22	苏亮

DIM	TDL	X	/
DIM	TDL	X*	/
DIM	TDL	X.X*	/
DIM	TDL	X.XX*	/
DIM	TDL	X.XXX*	/
DIM	TDL	X.XXX*	/
DIM	TDL	0.10	/
DIM	TDL	0.15	/
DIM	TDL	0.25	/
DIM	TDL	X.X*	/
DIM	TDL	X.XX*	/
DIM	TDL	X.XXX*	/

REV. A/1	SCALE 1:1	UNIT: mm	SHEET: 1 OF 1
----------	-----------	----------	---------------

REV. A/1	SCALE 1:1	UNIT: mm	SHEET: 1 OF 1
DESIGN: 陈雪峰	DATE: 2017.06.03	CHECK: 杨烨	REVIEW:

DRAW NO.	P/N NO.	DRAW NAME:
	A2006WV-S-2XNP	2.0mm PITCH 180° DUAL ROW WAFER -SMT YYPE

REV. A/1	SCALE 1:1	UNIT: mm	SHEET: 1 OF 1
----------	-----------	----------	---------------

DESIGN: 陈雪峰	DATE: 2017.06.03	CHECK: 杨烨	REVIEW:
-------------	------------------	-----------	---------

DRAW NO.	P/N NO.	DRAW NAME:
	A2006WV-S-2XNP	2.0mm PITCH 180° DUAL ROW WAFER -SMT YYPE

REV. A/1	SCALE 1:1	UNIT: mm	SHEET: 1 OF 1
----------	-----------	----------	---------------

DESIGN: 陈雪峰	DATE: 2017.06.03	CHECK: 杨烨	REVIEW:
-------------	------------------	-----------	---------

DRAW NO.	P/N NO.	DRAW NAME:
	A2006WV-S-2XNP	2.0mm PITCH 180° DUAL ROW WAFER -SMT YYPE

REV. A/1	SCALE 1:1	UNIT: mm	SHEET: 1 OF 1
----------	-----------	----------	---------------

DESIGN: 陈雪峰	DATE: 2017.06.03	CHECK: 杨烨	REVIEW:
-------------	------------------	-----------	---------

DRAW NO.	P/N NO.	DRAW NAME:
	A2006WV-S-2XNP	2.0mm PITCH 180° DUAL ROW WAFER -SMT YYPE

REV. A/1	SCALE 1:1	UNIT: mm	SHEET: 1 OF 1
----------	-----------	----------	---------------

DESIGN: 陈雪峰	DATE: 2017.06.03	CHECK: 杨烨	REVIEW:
-------------	------------------	-----------	---------

DRAW NO.	P/N NO.	DRAW NAME:
	A2006WV-S-2XNP	2.0mm PITCH 180° DUAL ROW WAFER -SMT YYPE

REV. A/1	SCALE 1:1	UNIT: mm	SHEET: 1 OF 1
----------	-----------	----------	---------------

DESIGN: 陈雪峰	DATE: 2017.06.03	CHECK: 杨烨	REVIEW:
-------------	------------------	-----------	---------

DRAW NO.	P/N NO.	DRAW NAME:
	A2006WV-S-2XNP	2.0mm PITCH 180° DUAL ROW WAFER -SMT YYPE

REV. A/1	SCALE 1:1	UNIT: mm	SHEET: 1 OF 1
DESIGN: 陈雪峰	DATE: 2017.06.03	CHECK: 杨烨	REVIEW:
DRAW NO.	P/N NO.	DRAW NAME:	
	A2006WV-S-2XNP	2.0mm PITCH 180° DUAL ROW WAFER -SMT YYPE	

REV. A/1	SCALE 1:1	UNIT: mm	SHEET: 1 OF 1
----------	-----------	----------	---------------

DESIGN: 陈雪峰	DATE: 2017.06.03	CHECK: 杨烨	REVIEW:
-------------	------------------	-----------	---------

DRAW NO.	P/N NO.	DRAW NAME:
	A2006WV-S-2XNP	2.0mm PITCH 180° DUAL ROW WAFER -SMT YYPE

REV. A/1	SCALE 1:1	UNIT: mm	SHEET: 1 OF 1
----------	-----------	----------	---------------

DESIGN: 陈雪峰	DATE: 2017.06.03	CHECK: 杨烨	REVIEW:
-------------	------------------	-----------	---------

DRAW NO.	P/N NO.	DRAW NAME:
	A2006WV-S-2XNP	2.0mm PITCH 180° DUAL ROW WAFER -SMT YYPE

REV. A/1	SCALE 1:1	UNIT: mm	SHEET: 1 OF 1
----------	-----------	----------	---------------

DESIGN: 陈雪峰	DATE: 2017.06.03	CHECK: 杨烨	REVIEW:
-------------	------------------	-----------	---------

DRAW NO.	P/N NO.	DRAW NAME:
	A2006WV-S-2XNP	2.0mm PITCH 180° DUAL ROW WAFER -SMT YYPE

REV. A/1	SCALE 1:1	UNIT: mm	SHEET: 1 OF 1
----------	-----------	----------	---------------

DESIGN: 陈雪峰	DATE: 2017.06.03	CHECK: 杨烨	REVIEW:
-------------	------------------	-----------	---------

DRAW NO.	P/N NO.	DRAW NAME:
	A2006WV-S-2XNP	2.0mm PITCH 180° DUAL ROW WAFER -SMT YYPE

REV. A/1	SCALE 1:1	UNIT: mm	SHEET: 1 OF 1
----------	-----------	----------	---------------

DESIGN: 陈雪峰	DATE: 2017.06.03	CHECK: 杨烨	REVIEW:
-------------	------------------	-----------	---------

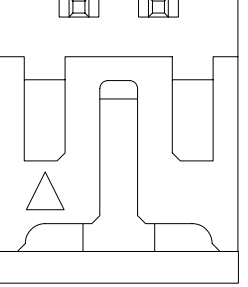
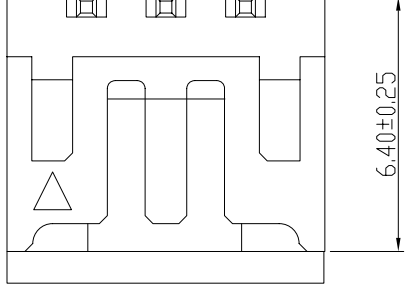
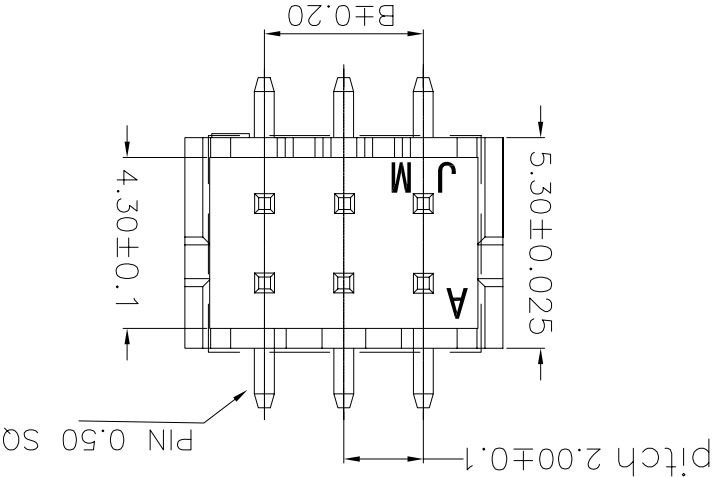
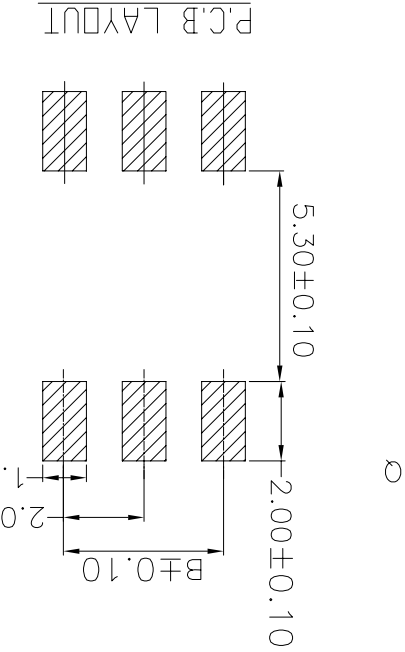
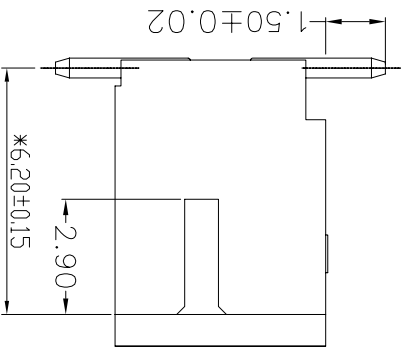
DRAW NO.	P/N NO.	DRAW NAME:
	A2006WV-S-2XNP	2.0mm PITCH 180° DUAL ROW WAFER -SMT YYPE

REV. A/1	SCALE 1:1	UNIT: mm	SHEET: 1 OF 1
----------	-----------	----------	---------------

PART NO.		Dimensions	
A	B	A	B
A2006WV-S-2X02P	6.00	6.00	2.00
A2006WV-S-2X03P	8.00	8.00	4.00
A2006WV-S-2X04P	10.00	10.00	6.00
A2006WV-S-2X05P	12.00	12.00	8.00
A2006WV-S-2X06P	14.00	14.00	10.00
A2006WV-S-2X07P	16.00	16.00	12.00
A2006WV-S-2X08P	18.00	18.00	14.00
A2006WV-S-2X09P	20.00	20.00	16.00
A2006WV-S-2X10P	22.00	22.00	18.00
A2006WV-S-2X11P	24.00	24.00	20.00
A2006WV-S-2X12P	26.00	26.00	22.00
A2006WV-S-2X13P	28.00	28.00	24.00
A2006WV-S-2X14P	30.00	30.00	26.00
A2006WV-S-2X15P	32.00	32.00	28.00
A2006WV-S-2X16P	34.00	34.00	30.00
A2006WV-S-2X17P	36.00	36.00	32.00
A2006WV-S-2X18P	38.00	38.00	34.00
A2006WV-S-2X19P	40.00	40.00	36.00
A2006WV-S-2X20P	42.00	42.00	38.00

REV. A	ECN NO.	DESCRIPTION	DATE	DESIGN
A		变更料号	16/11/22	苏亮

Specifications:
 Current rating: 3A AC/DC.
 Voltage rating: 250V AC/DC
 Temperature range: -40°C ~ +105°C.
 Contact resistance: 10mΩ Max.
 Insulation resistance: 100MΩ Min.
 Withstanding voltage: 800V AC/minute.
 Material: part 94V0.



2P视图

DIM	TOL	/	X.	/
X.X	/	X.	/	X.
X.XX	0.25	X.X*	/	X.X*
X.XXX	0.15	X.XX*	/	X.XX*
X.XXX	0.10	X.XXX*	/	X.XXX*

REV. NO.	DATE	DESIGN	CHECK	REVIEW
		陈雪峰	杨桦	

REV. A/1	SCALE 1:1	UNIT: mm	SHEET: 1 OF 1
----------	-----------	----------	---------------

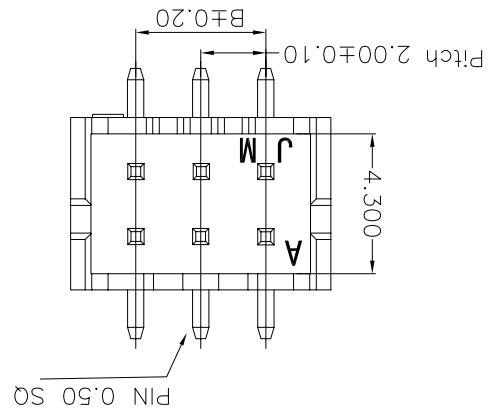
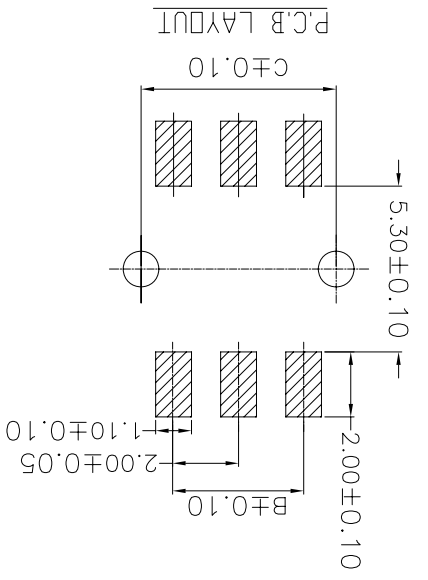
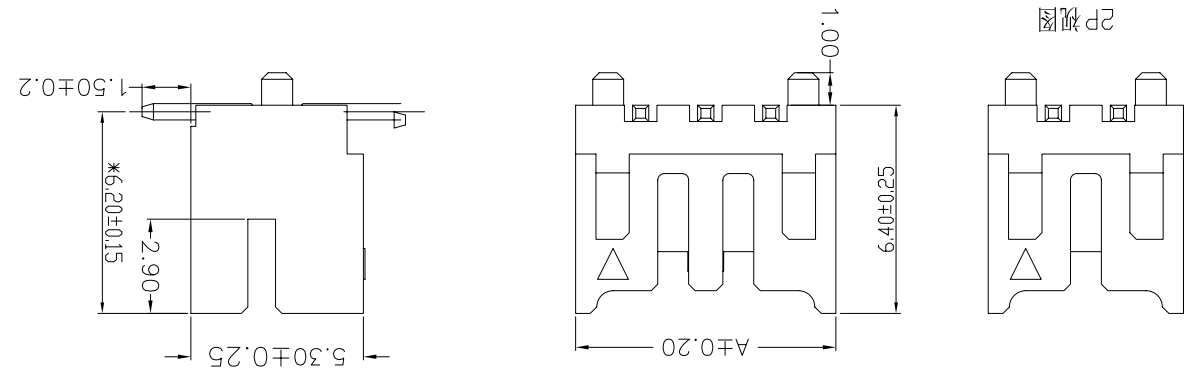
DRAW NAME:	2.0mm PITCH 180° DUAL ROW WAFER -SMT YTPF
P/N NO.:	A2006WV-S-F-2XNP
DATE:	2017.06.03

CNJM Joint More Precision electronics Co.,Ltd.

PART NO.	Dimensions		
	A	B	C
A2006WV-S-F-2X02P	6.00	2.00	4.00
A2006WV-S-F-2X03P	8.00	4.00	6.00
A2006WV-S-F-2X04P	10.00	6.00	8.00
A2006WV-S-F-2X05P	12.00	8.00	10.00
A2006WV-S-F-2X06P	14.00	10.00	12.00
A2006WV-S-F-2X07P	16.00	12.00	14.00
A2006WV-S-F-2X08P	18.00	14.00	16.00
A2006WV-S-F-2X09P	20.00	16.00	18.00
A2006WV-S-F-2X10P	22.00	18.00	20.00
A2006WV-S-F-2X11P	24.00	20.00	22.00
A2006WV-S-F-2X12P	26.00	22.00	24.00
A2006WV-S-F-2X13P	28.00	24.00	26.00
A2006WV-S-F-2X14P	30.00	26.00	28.00
A2006WV-S-F-2X15P	32.00	28.00	30.00
A2006WV-S-F-2X16P	34.00	30.00	32.00
A2006WV-S-F-2X17P	36.00	32.00	34.00
A2006WV-S-F-2X18P	38.00	34.00	36.00
A2006WV-S-F-2X19P	40.00	36.00	38.00
A2006WV-S-F-2X20P	42.00	38.00	40.00

REV. A	ECN NO.	DESCRIPTION	DATE	DESIGN
		变更料号	16/11/22	苏亮

Specifications:
 Current rating: 3A AC/DC.
 Voltage rating: 250V AC/DC.
 Temperature range: -40°C ~ +105°C.
 Contact resistance: 10mΩ Max.
 Insulation resistance: 1000MΩ Min.
 Withstanding voltage: 800V AC/minute.
 Material: part 94V0.



X-ON Electronics

Largest Supplier of Electrical and Electronic Components

Click to view similar products for [Headers & Wire Housings](#) category:

Click to view products by [CNJM](#) manufacturer:

Other Similar products are found below :

[95000-104TRLF](#) [10135584-644402LF](#) [DF62W-EP2022PCA](#) [95000-106TRLF](#) [DF62W-2022SCA](#) [DF62W-EP2022PC](#) [2203348](#) [DF62W-2022SC](#) [1084018](#) [1029039](#) [1084017](#) [802-10-012-10-002000](#) [1112640](#) [1112639](#) [891-007-9SS-BST1T](#) [000-34000](#) [0008550134](#) [0009482033](#) [0009507031](#) [57102-F02-18ULF](#) [57102-S06-03LF](#) [57202-S52-04LF](#) [PCN6-15S-2.5E](#) [0039019024](#) [58102-G61-06LF](#) [582553-1](#) [0009485154](#) [0009508121](#) [0022285053](#) [0050291907](#) [018731A](#) [LY20-4P-DT1-P1E-BR](#) [02.125.8002.8](#) [60101931](#) [60598-1 \(Cut Strip\)](#) [M1625-3R/100](#) [61062-3](#) [61082-181009](#) [CSU011177004](#) [636-1427](#) [638009-1](#) [641938-9](#) [641991-4](#) [644168-1](#) [644827-2](#) [647662-1](#) [65039-019ELF](#) [65692-001LF](#) [65781-018](#) [65781-047](#)