

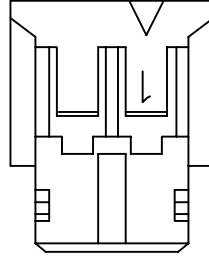
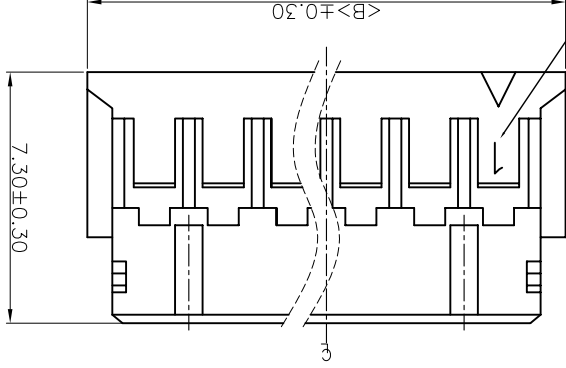
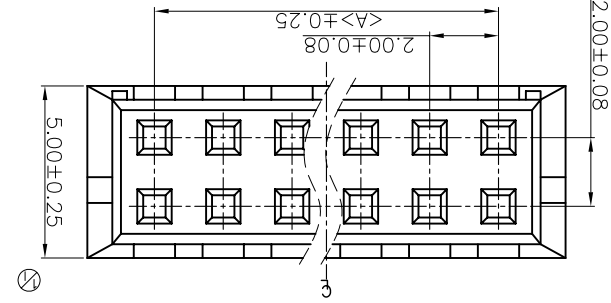
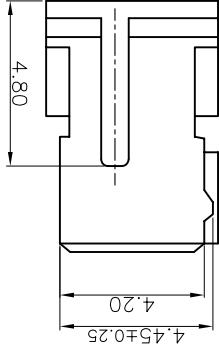
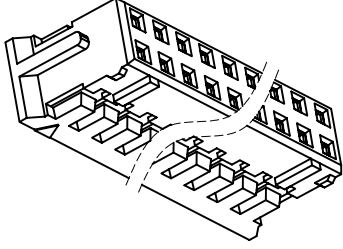
REV.	A	
ECN NO.		
DESCRIPTION	委重料号	
DATE	16/11/22	
DESIGN	苏亮	

NOTES:

CURRENT RATING:3A AC/DC.
 VOLTAGE RATING:250V AC/DC
 TEMPERATURE RANGE:-40°C~+105°C.
 CONTACT RESISTANCE:10MΩ Max.
 INSULATION RESISTANCE:1000MΩ Min.
 WITHSTANDING VOLTAGE: 800V AC/MINUTE.
 WATRLAL:PA66.UL94V-0.

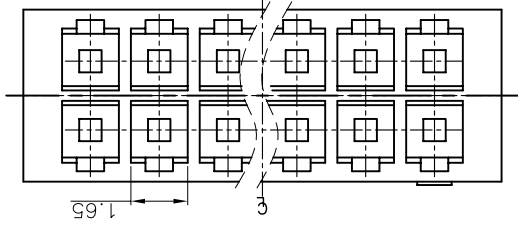
PART NO.	A	
	B	
Dimensions		

A2006H-2X02P	2.00	6.00
A2006H-2X03P	4.00	8.00
A2006H-2X04P	6.00	10.00
A2006H-2X05P	8.00	12.00
A2006H-2X06P	10.00	14.00
A2006H-2X07P	12.00	16.00
A2006H-2X08P	14.00	18.00
A2006H-2X09P	16.00	20.00
A2006H-2X10P	18.00	22.00
A2006H-2X11P	20.00	24.00
A2006H-2X12P	22.00	26.00
A2006H-2X13P	24.00	28.00
A2006H-2X14P	26.00	30.00
A2006H-2X15P	28.00	32.00
A2006H-2X16P	30.00	34.00
A2006H-2X17P	32.00	36.00
A2006H-2X18P	34.00	38.00
A2006H-2X19P	36.00	40.00
A2006H-2X20P	38.00	42.00



2P视图

L060(外形, 厚0.1MAX)



CNJM Joint More Precision electronics Co.,Ltd.

DRAW NO.:	DATE:	P/N NO.:	DRAW NAME:
DESIGN:	陈雪峰	A2006H-2XNP	2.0mm pitch housing
CHECK:	杨焯	REV. A/1	SCALE 1:1
REVIEW:		UNIT: mm	SHEET: 1 OF 1

DIM	TOL	X.XX	/	X.XX
DIM	TOL	X.X	/	X.X
DIM	TOL	0.25	/	X.X
DIM	TOL	0.15	/	X.XX
DIM	TOL	0.10	/	X.XX

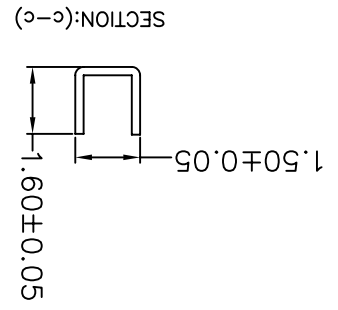
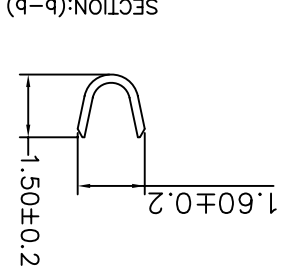
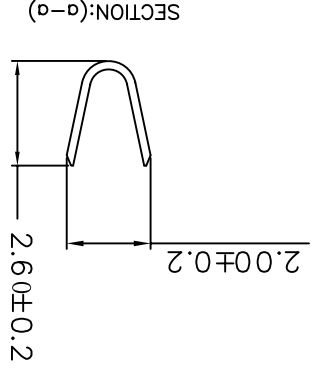
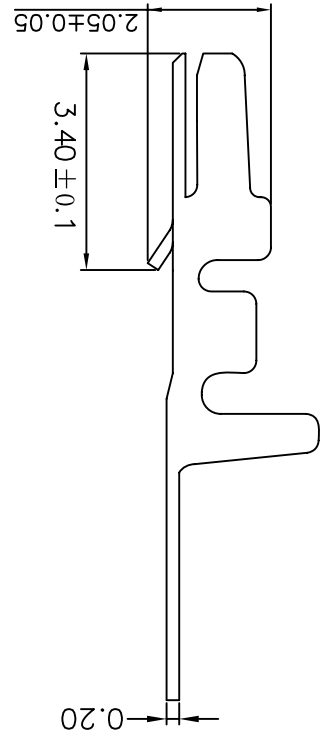
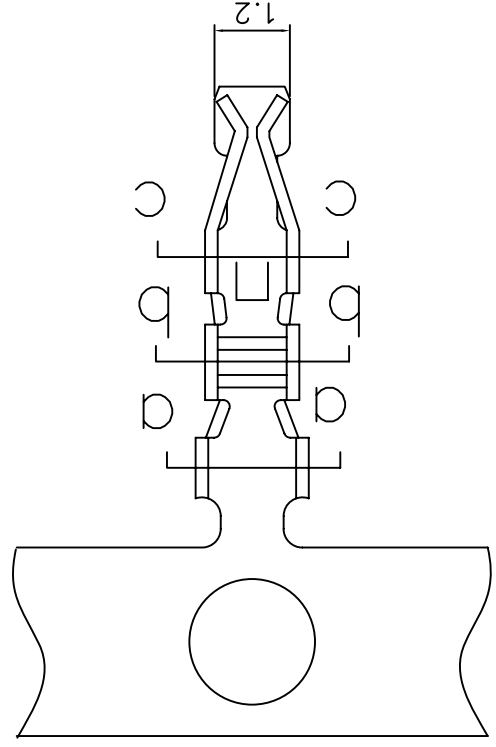
Part NO.	Wire range	Insulation O.D.	Materials	Finish	Qty/reel
A2006-TP	AWG#22-28	1.5mm(max)	Phosphor Bronze	Tin-plated	10000PCS
A2006-TP	AWG#22-28	1.5mm(max)	Phosphor Bronze	Tin-plated	10000PCS
A2006-TP	AWG#22-28	1.5mm(max)	Phosphor Bronze	Tin-plated	10000PCS

DIM	TOL	DIM	TOL
X.XX	/	X.XX	/
X.XX	0.15	X.XX	0.10
X.X	0.25	X.X	/
X	/	X	/
DIM	TOL	DIM	TOL

REV.:	REVIEW:
ECN NO.	CHECK:
DESCRIPTION	DESIGN:
DATE	DATE

REV.:	REV. A/1
SCALE	SCALE 1:1
UNIT:	UNIT: mm
SHEET:	SHEET: 1 OF 1
DRAW NAME:	2.0mm pitch Terminal
P/N NO.:	A2006-XXX

CNJM Joint More Precision electronics Co.,Ltd.



REV.:	A	DESCRIPTION	变更料号
ECN NO.		DATE	16/11/22
DATE		DESIGN	苏亮

DIM	TOL	X.XX	0.10	X.XX*	/
X.XX	0.15	X.XX*	/	X.XX*	/
X.X	0.25	X.X*	/	X.X*	/
X.	/	X.	/	X.	/
DIM	TOL	DIM	TOL	DIM	TOL

REV. A/1	SCALE 1:1	UNIT: mm	SHEET 1 OF 1
REV. NO.	DATE	DESIGN: 陈雪峰	CHECK: 杨桦
P/N NO:	A2006WV-2XNP-9T	DRAW NAME: 2.0mm pitch wafer 9T专用	

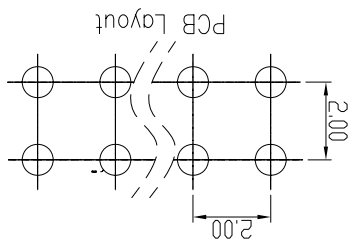
CNJM Joint More Precision electronics Co., Ltd.

PART NO.	A	B
A2006WV-2X22P	6.00	2.00
A2006WV-2X03P	8.00	4.00
A2006WV-2X04P	10.00	6.00
A2006WV-2X05P	12.00	8.00
A2006WV-2X06P	14.00	10.00
A2006WV-2X07P	16.00	12.00
A2006WV-2X08P	18.00	14.00
A2006WV-2X09P	20.00	16.00
A2006WV-2X10P	22.00	18.00
A2006WV-2X11P	24.00	20.00
A2006WV-2X12P	26.00	22.00
A2006WV-2X13P	28.00	24.00
A2006WV-2X14P	30.00	26.00
A2006WV-2X15P	32.00	28.00
A2006WV-2X16P	34.00	30.00
A2006WV-2X17P	36.00	32.00
A2006WV-2X18P	38.00	34.00
A2006WV-2X19P	40.00	36.00
A2006WV-2X20P	42.00	38.00

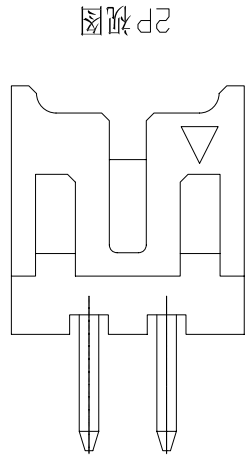
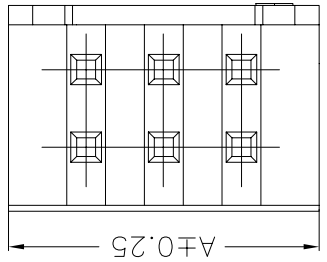
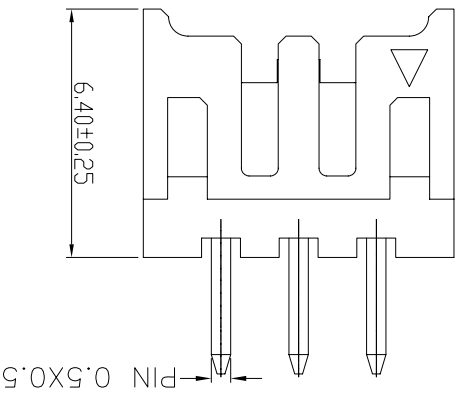
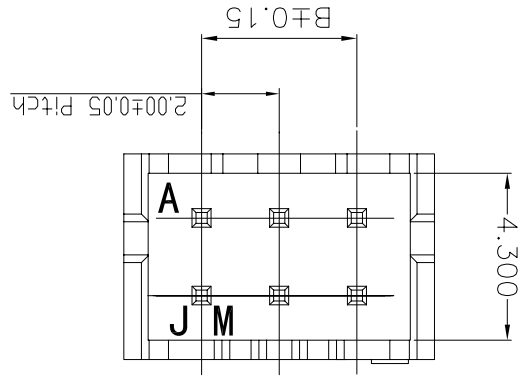
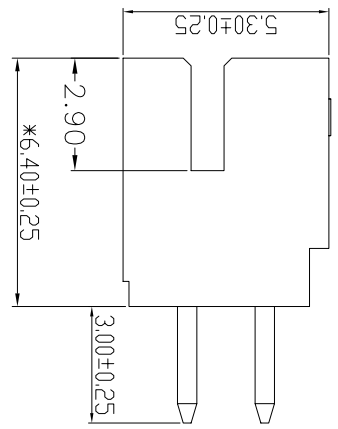
WAFER
 1) Part No.:A2006WV-2XNP
 2) Poles:4-40
 3) Material:Contact:Brass,Tin plated
 Base:PA9T UL94V-0
 4) Qty:1000pcs/bag

SPECIFICATIONS
 1) Voltage rating:250V AC,DC.
 2) Current rating:3A AC,DC.
 3) Withstanding voltage:800V AC/minute.
 4) Insulation resistance:1,000M Ohm min.
 5) Temperature range:-40~+105°.
 6) Contact resistance:Initial value/10m
 omega max,after environmental testg
 /20m omega max.

REV. A	ECN NO.	DESCRIPTION	DATE	DESIGN
		变更料号	17/06/08	苏亮



Recommended P.C.B Layout(Top Side)
 P.C.B Thickness = 1.00~1.60mm
 (Tolerance=±0.05)



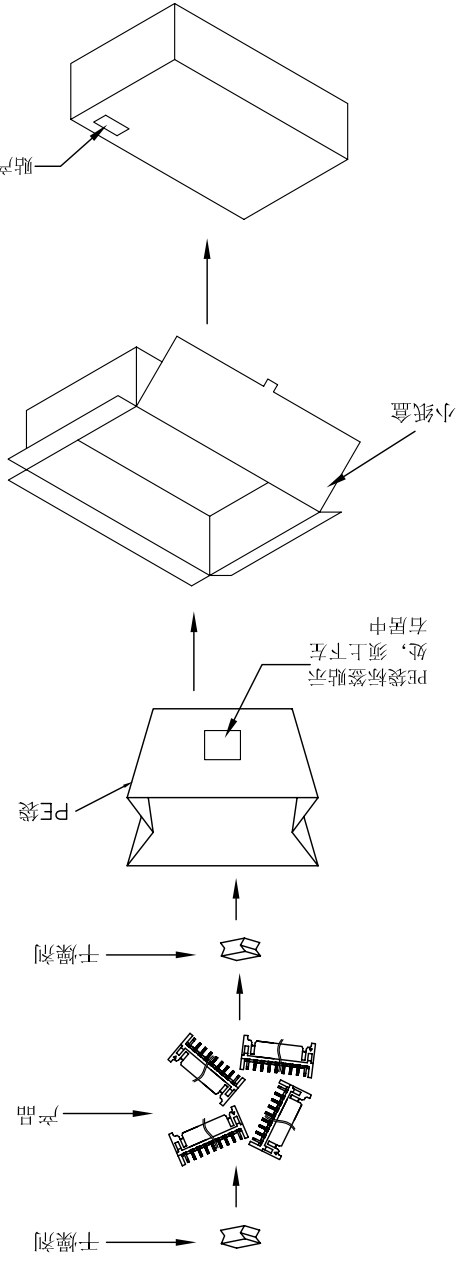
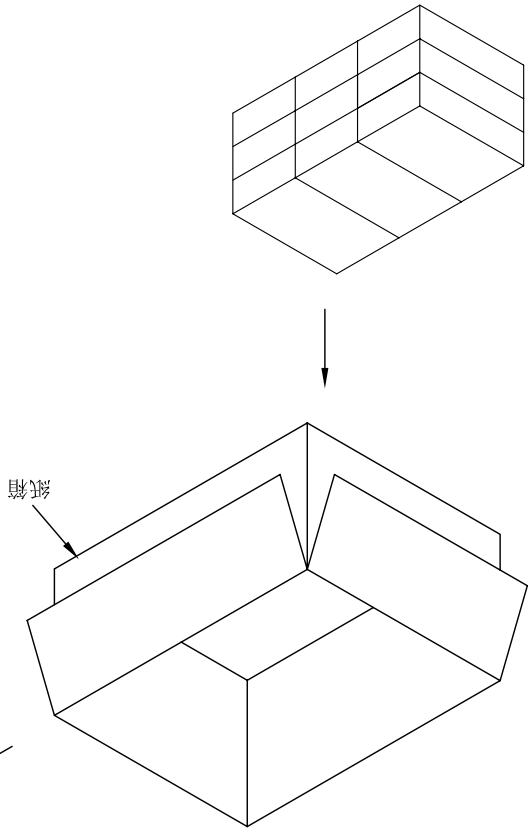
DIM	TOL	X.XX	0.10	X.XXX
DIM	TOL	X.XX	0.15	X.XXX
DIM	TOL	X.X	0.25	X.XX
DIM	TOL	X.	/	X.
DIM	TOL	/	/	/

REVIEW:			
CHECK:	杨焯		
DESIGN:	陈雪峰	2017.2.9	
DATE			

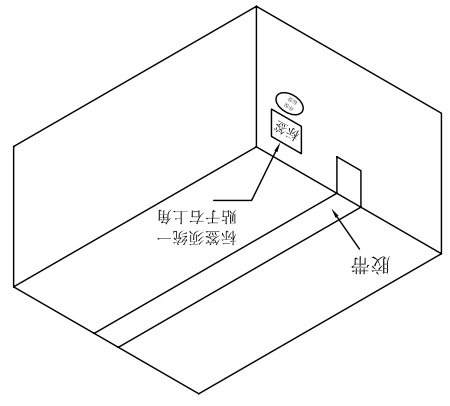
REV. A/1	SCALE 1:1	UNIT: mm	SHEET: 1 OF 1
DRAW NAME:		P/N NO:	
PHI2.0 90° Wafer 系列袋装包装规范			

CNJM Joint More Precision electronics Co., Ltd.

产品料号	PE袋规格	PE袋包装数量	纸箱包装数量
A2006WR-2X02P	18*24cm	1000	9000
A2006WR-2X03P	18*24cm	1000	9000
A2006WR-2X04P	18*24cm	1000	9000
A2006WR-2X05P	21*26cm	1000	4500
A2006WR-2X06P	18*24cm	500	4500
A2006WR-2X07P	18*24cm	500	4500
A2006WR-2X08P	21*26cm	500	4500
A2006WR-2X09P	21*26cm	500	4500
A2006WR-2X10P	21*26cm	500	4500
A2006WR-2X11P	21*26cm	500	4500
A2006WR-2X12P	21*26cm	400	3600
A2006WR-2X13P	21*26cm	400	3600
A2006WR-2X14P	21*26cm	300	2700
A2006WR-2X15P	21*26cm	300	2700
A2006WR-2X16P	21*26cm	200	1800
A2006WR-2X17P	21*26cm	200	1800
A2006WR-2X18P	21*26cm	200	1800
A2006WR-2X19P	21*26cm	150	1350
A2006WR-2X20P	21*26cm	150	1350



- 注意:
1. 将产品轻轻放入PE袋并在PE袋底部和口部各放一包干燥剂, 不能将产品端子或PIN针弄变形, 最后将PE袋密封好, 后在PE袋外贴1PCS产品标签;
 2. 将封好的PE袋装入小纸盒内并扣上小纸盒盖子, 每个小纸盒内只放一袋产品。(小纸盒外右上角需贴1PCS产品标示)
 3. 将装好产品的小纸盒平放入纸箱内, 每层平放3盒, 每箱放3层, 共计9盒, 封好纸箱并在侧面右上角贴1PCS出货标签;
 4. PE袋规格: 详见包装列表(PE袋规格为无孔), 每PE袋放入产品的数量及整箱的数量, 不能多放或少放。小纸盒规格: 25*15*7CM
纸箱规格: 18.5*10.5*11英寸



REV.	ECON NO.	DESCRIPTION	DATE	DESIGN
A				

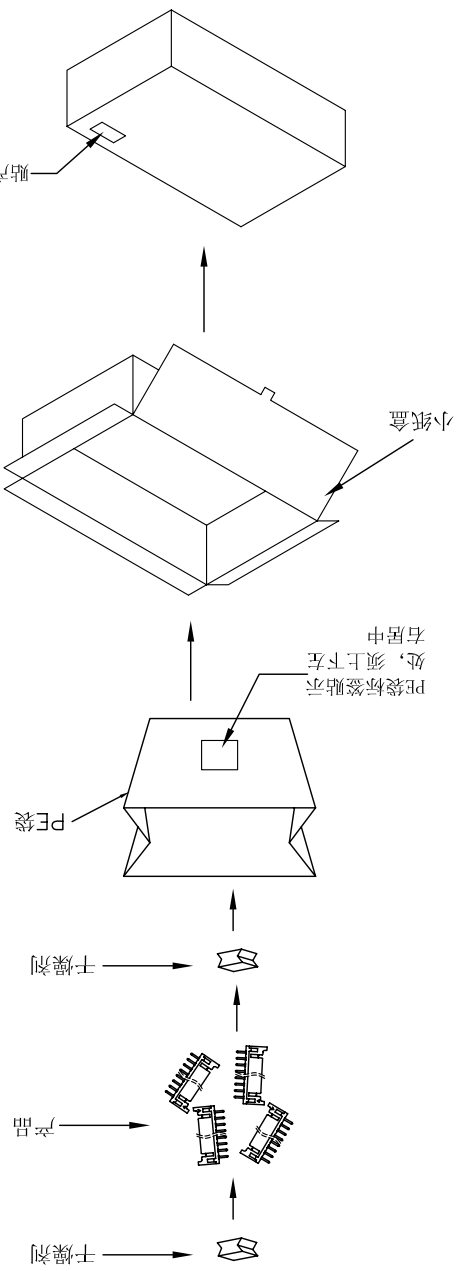
X.XXX	X.XXX
X.XX	X.XX
X.X	X.X
X.	X.
DIM TOL	DIM TOL
0.10	0.15
0.25	0.25
X.XX	X.XX
X.XXX	X.XXX

REV.:	
CHECK:	杨焯
DESIGN:	陈雪峰
DATE:	2017.06.03

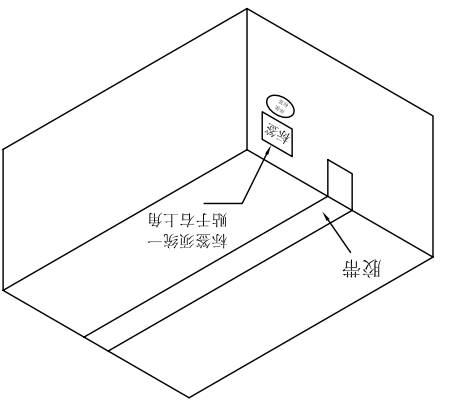
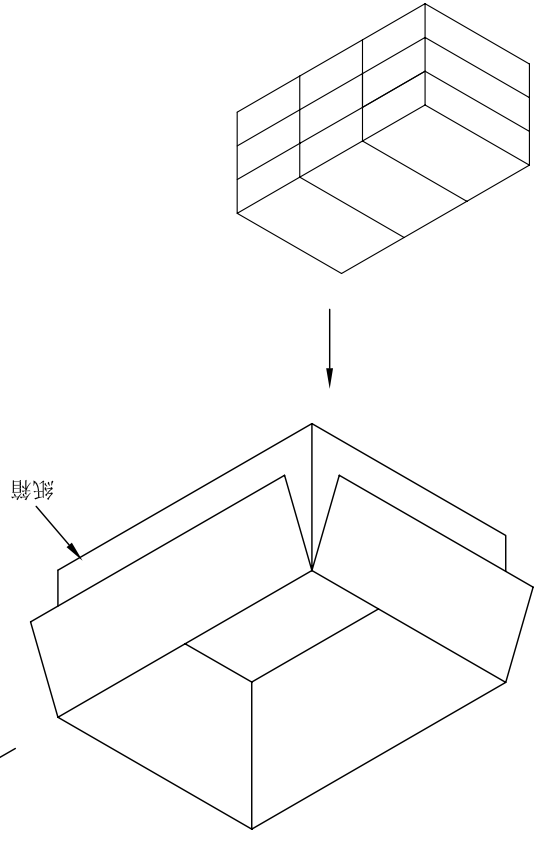
REV. A	SCALE 1:1	UNIT: mm	SHEET: 1 OF 1
P/N NO:		DRAW NAME:	
PH02.0 180° Water 系列袋装包装规范			

CNJM Joint More Precision electronics Co., Ltd.

产品料号	PE袋规格	PE袋包装数量 PCS/袋	纸箱包装数量 PCS/箱
A2006W-2X02P	18*24cm	1000	9000
A2006W-2X03P	18*24cm	1000	9000
A2006W-2X04P	18*24cm	1000	9000
A2006W-2X05P	21*26cm	1000	9000
A2006W-2X06P	18*24cm	1000	9000
A2006W-2X07P	18*24cm	1000	9000
A2006W-2X08P	21*26cm	1000	9000
A2006W-2X09P	21*26cm	500	4500
A2006W-2X10P	21*26cm	500	4500
A2006W-2X11P	21*26cm	500	4500
A2006W-2X12P	21*26cm	500	4500
A2006W-2X13P	21*26cm	500	4500
A2006W-2X14P	21*26cm	500	4500
A2006W-2X15P	21*26cm	500	4500
A2006W-2X16P	21*26cm	400	3600
A2006W-2X17P	21*26cm	400	3600
A2006W-2X18P	21*26cm	400	3600
A2006W-2X19P	21*26cm	200	1800
A2006W-2X20P	21*26cm	200	1800



- 注意:
- 将产品轻轻放入PE袋并在PE袋底部和口部各放一包干燥剂，不能将产品端子或PIN针弄变形，最后将PE袋密封好后在PE袋外贴1PCS产品标签。
 - 将封好的PE袋装入小纸盒内并扣上小纸盒盖子，每个小纸盒内只放一袋产品。(小纸盒外右上角需贴1 PCS产品标示)
 - 将装好产品的小纸盒平放入纸箱内，每层平放3盒，每箱放3层，共计9盒，封好纸箱并在侧面右上角贴1PCS出货标签。
 - 每PE袋放入产品的数量及整箱的数量，不能多放或少放。PE袋规格：详见包装列表(PE袋规格为无孔)
小纸盒规格：25*15*7CM
纸箱规格：18.5*10.5*11英寸



REV.:	ECON NO.	DESCRIPTION	DATE	DESIGN
A				

X-ON Electronics

Largest Supplier of Electrical and Electronic Components

Click to view similar products for [Headers & Wire Housings](#) category:

Click to view products by [CNJM](#) manufacturer:

Other Similar products are found below :

[95000-104TRLF](#) [10135584-644402LF](#) [DF62W-EP2022PCA](#) [95000-106TRLF](#) [DF62W-2022SCA](#) [DF62W-EP2022PC](#) [2203348](#) [DF62W-2022SC](#) [1084018](#) [1029039](#) [1084017](#) [802-10-012-10-002000](#) [1112640](#) [1112639](#) [891-007-9SS-BST1T](#) [000-34000](#) [0008550134](#) [0009482033](#) [0009507031](#) [57102-F02-18ULF](#) [57102-S06-03LF](#) [57202-S52-04LF](#) [PCN6-15S-2.5E](#) [0039019024](#) [58102-G61-06LF](#) [582553-1](#) [0009485154](#) [0009508121](#) [0022285053](#) [0050291907](#) [018731A](#) [LY20-4P-DT1-P1E-BR](#) [02.125.8002.8](#) [60101931](#) [60598-1 \(Cut Strip\)](#) [M1625-3R/100](#) [61062-3](#) [61082-181009](#) [CSU011177004](#) [636-1427](#) [638009-1](#) [641938-9](#) [641991-4](#) [644168-1](#) [644827-2](#) [647662-1](#) [65039-019ELF](#) [65692-001LF](#) [65781-018](#) [65781-047](#)