

REV. A	ECN NO.	DESCRIPTION	DATE	DESIGN
A				

NOTES:  
 CURRENT RATING: 2A AC/DC  
 VOLTAGE RSTING: 100V AC/DC  
 TEMPERATURE RANGE: -40°C ~ +105°C  
 CONTACT RESISTANCE: 0.10mΩMax.  
 INSULATION RESISTANCE: 1000MΩMin.  
 WITHSTANDING VOLTAGE: 800V AC/MINUTE.  
 MATERIAL: PA66 UL94V0.

PART NO.	DIMENSIONS	
	A	B
A2001H-02P	2.00	4.60
A2001H-03P	4.00	6.60
A2001H-04P	6.00	8.60
A2001H-05P	8.00	10.60
A2001H-06P	10.00	12.60
A2001H-07P	12.00	14.60
A2001H-08P	14.00	16.60
A2001H-09P	16.00	18.60
A2001H-10P	18.00	20.60
A2001H-11P	20.00	22.60
A2001H-12P	22.00	24.60
A2001H-13P	24.00	26.60
A2001H-14P	26.00	28.60
A2001H-15P	28.00	30.60
A2001H-16P	30.00	32.60

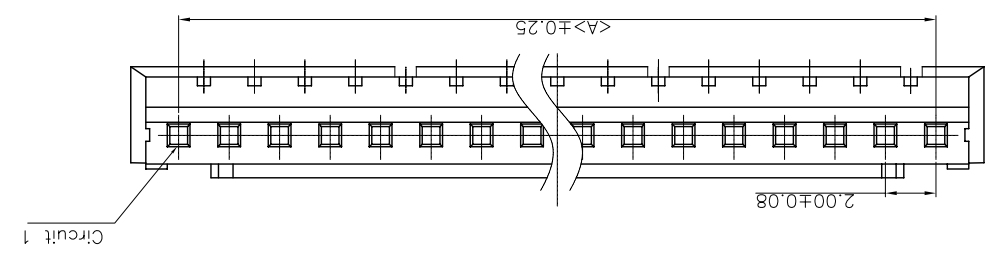
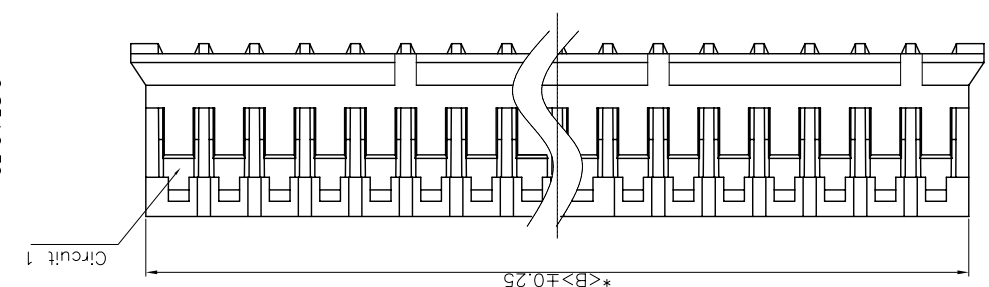
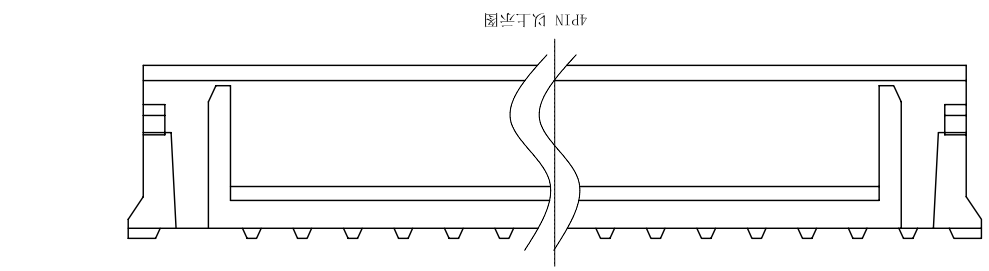
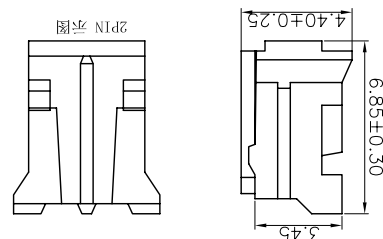
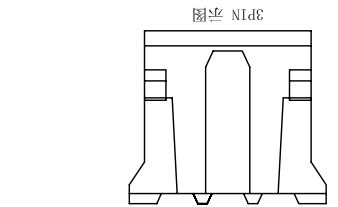
**CNM** Joint More Precision electronics Co., Ltd.

DRAW NO.	DATE	P/N NO.	DRAW NAME:
		A2001H-NP	2.0mm pitch housing

DESIGN:	陈雪峰	2017.06.03
CHECK:	杨焯	
REVIEW:		

REV. A/1	SCALE 1:1	UNIT: mm	SHEET: 1 OF 1
----------	-----------	----------	---------------

DIM	TOL	X.XXX	X.XXX
DIM	TOL	X.X	X.XXX
X.X		0.25	X.X
X.XX		0.15	X.XX
X.XXX		0.10	X.XXX



Part NO.	Wire range	Insulation O.D.	Materials	Finish	Qty/reel
A2001-TP	AWG#24-32	1.8mm(max)	Phosphor Bronze	Tin-plated	10000PCS
A2001-TPE	AWG#24-32	1.8mm(max)	Phosphor Bronze	Tin-plated	10000PCS

X	TOL	/
X.X	0.25	X.X*
X.XX	0.15	X.XX*
X.XXX	0.10	X.XXX*

REV. NO.	ECN NO.	DESCRIPTION
1		

REV. A/1	SCALE 1:1	UNIT: MM	SHEET 1 OF 1
----------	-----------	----------	--------------

DESIGN: 陈雪峰	DATE: 2017.06.03	P/N NO: A2001-XXX	2.0mm pitch Terminal
-------------	------------------	-------------------	----------------------

REVIEW: 杨桦	CHECK:	DRAW NO.:
------------	--------	-----------

REV. A/1	SCALE 1:1	UNIT: MM	SHEET 1 OF 1
----------	-----------	----------	--------------

DESIGN: 陈雪峰	DATE: 2017.06.03	P/N NO: A2001-XXX	2.0mm pitch Terminal
-------------	------------------	-------------------	----------------------

REVIEW: 杨桦	CHECK:	DRAW NO.:
------------	--------	-----------

REV. A/1	SCALE 1:1	UNIT: MM	SHEET 1 OF 1
----------	-----------	----------	--------------

DESIGN: 陈雪峰	DATE: 2017.06.03	P/N NO: A2001-XXX	2.0mm pitch Terminal
-------------	------------------	-------------------	----------------------

REVIEW: 杨桦	CHECK:	DRAW NO.:
------------	--------	-----------

REV. A/1	SCALE 1:1	UNIT: MM	SHEET 1 OF 1
----------	-----------	----------	--------------

DESIGN: 陈雪峰	DATE: 2017.06.03	P/N NO: A2001-XXX	2.0mm pitch Terminal
-------------	------------------	-------------------	----------------------

REVIEW: 杨桦	CHECK:	DRAW NO.:
------------	--------	-----------

REV. A/1	SCALE 1:1	UNIT: MM	SHEET 1 OF 1
----------	-----------	----------	--------------

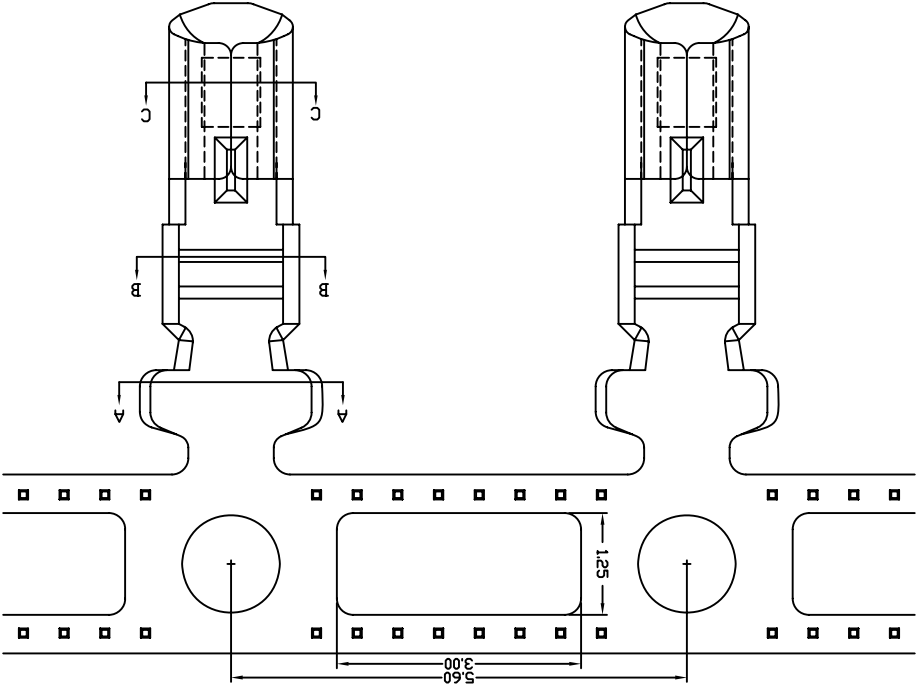
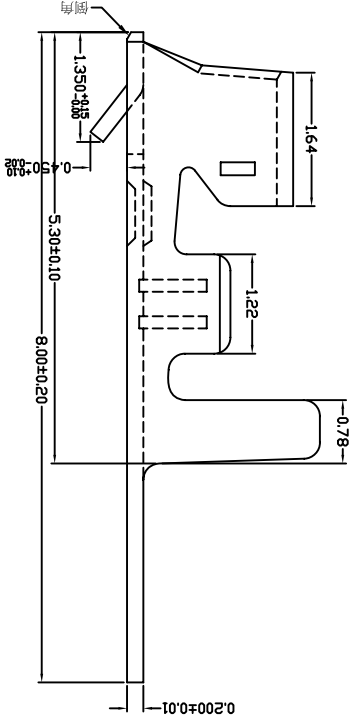
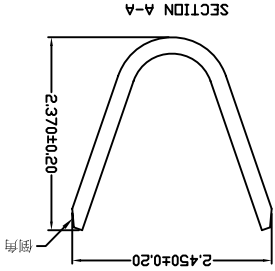
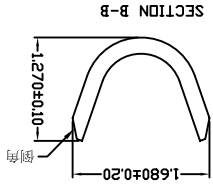
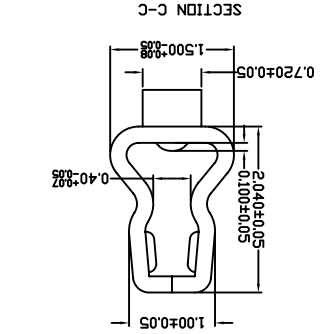
DESIGN: 陈雪峰	DATE: 2017.06.03	P/N NO: A2001-XXX	2.0mm pitch Terminal
-------------	------------------	-------------------	----------------------

REVIEW: 杨桦	CHECK:	DRAW NO.:
------------	--------	-----------

REV. A/1	SCALE 1:1	UNIT: MM	SHEET 1 OF 1
----------	-----------	----------	--------------

DESIGN: 陈雪峰	DATE: 2017.06.03	P/N NO: A2001-XXX	2.0mm pitch Terminal
-------------	------------------	-------------------	----------------------

# CNJM Joint More Precision electronics Co., Ltd.



REV. A	ECN NO.	DESCRIPTION

DATE	DESIGN

DIM	X	/	X	/
DIM	X.X	/	X.X	/
DIM	0.25	/	0.25	/
DIM	0.15	/	0.15	/
DIM	0.10	/	0.10	/
DIM	X.XXX	/	X.XXX	/

REV. NO.	REV. A/1	SCALE 1:1
CHECK:	杨焯	
DESIGN:	陈雪峰	2017.06.03
P/N NO.:	A2001WR-S-NP-HF	

DRAW NAME:	2.0mm pitch 90° SMT wifer
UNIT:	mm
SHEET:	1 OF 1

**CNJM** Joint More Precision electronics Co., Ltd.

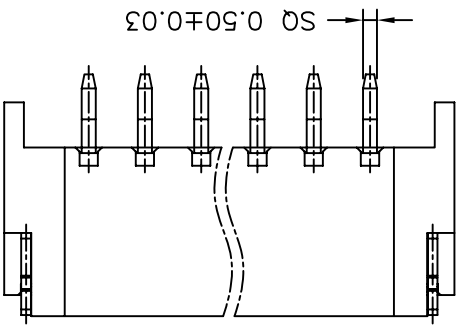
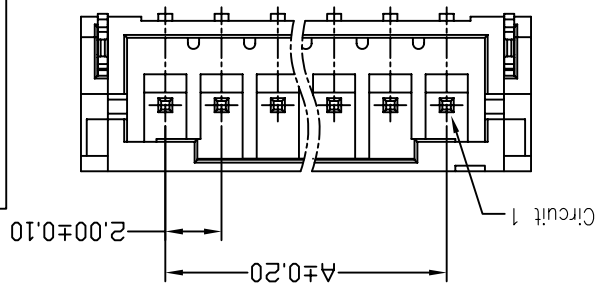
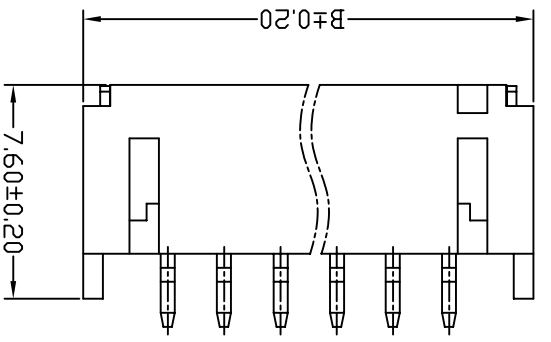
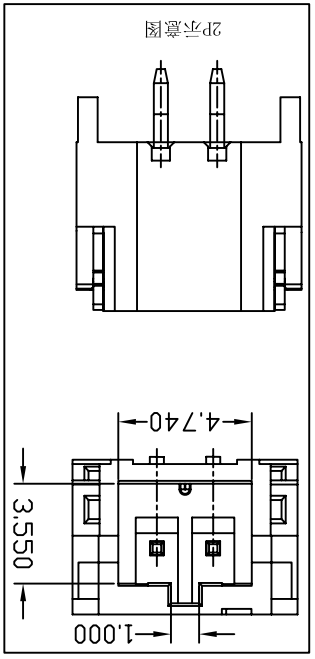
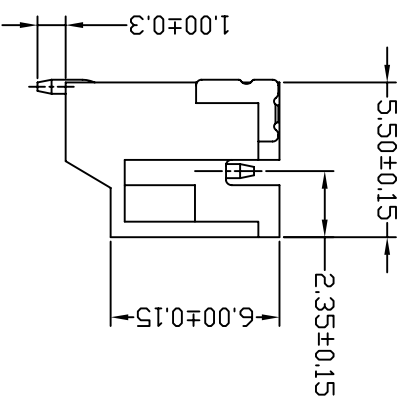
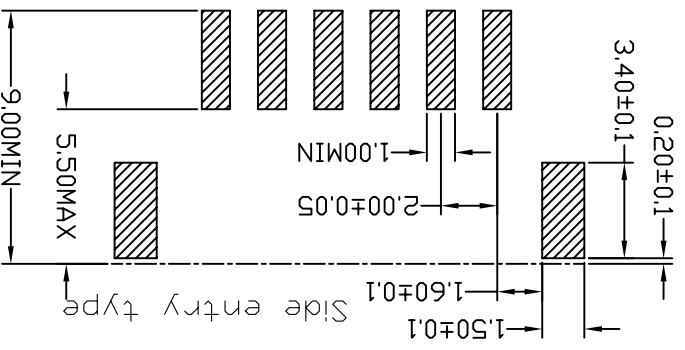
PART NO.		Dimensions	
A	B	A	B
A2001WR-S-02P	2.00	8.00	10.00
A2001WR-S-03P	4.00	6.00	12.00
A2001WR-S-04P	6.00	8.00	14.00
A2001WR-S-06P	10.00	16.00	16.00
A2001WR-S-07P	12.00	18.00	20.00
A2001WR-S-08P	14.00	20.00	20.00
A2001WR-S-09P	16.00	22.00	24.00
A2001WR-S-10P	18.00	24.00	26.00
A2001WR-S-11P	20.00	26.00	28.00
A2001WR-S-12P	22.00	28.00	30.00
A2001WR-S-13P	24.00	30.00	32.00
A2001WR-S-14P	26.00	32.00	34.00
A2001WR-S-15P	28.00	34.00	36.00
A2001WR-S-16P	30.00	36.00	

Ordering Information&Dimensions:

REV.		DESCRIPTION	
ECN NO.		DATE	DESIGN
A			

**SPECIFICATIONS**

- 1) MATERIAL: HOUSING:PA9T,UL94V-0, TERMINAL:BRASS,TIN PLATING
- 2) CURRENT RATING:2A AC/DC
- 3) VOLTAGE RATING:100V AC/DC
- 4) CONTACT RESISTANCE:20M OHMS MAX
- 5) INSULATION RESISTANCE:1,000 OHMS MIN.
- 6) TEMPERATURE RANGE:-40~+105°



REV	ECN NO.	DESCRIPTION	DATE	DESIGN
A				

SPECIFICATIONS

1) MATERIAL: HOUSING:PA9T,UL94V-0.

TERMINAL:BRASS,TIN PLATING

2) CURRENT RATING:2A AC,DC.

3) VOLTAGE RATING:100V AC/DC

4) CONTACT RESISTANCE:20M OHMS MAX

5) INSULATION RESISTANCE:1,000M OHMS MIN.

6) TEMPERATURE RANGE:-40~+105°.

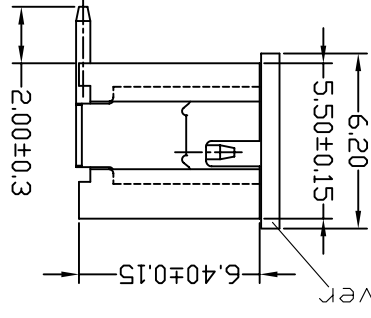
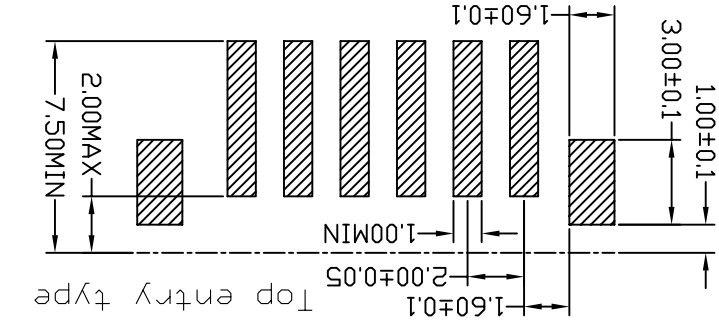
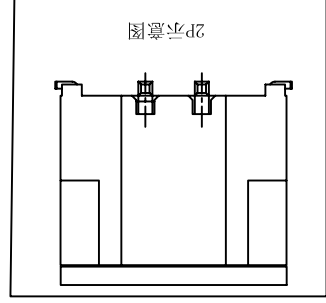
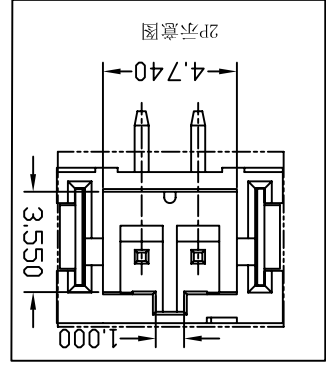
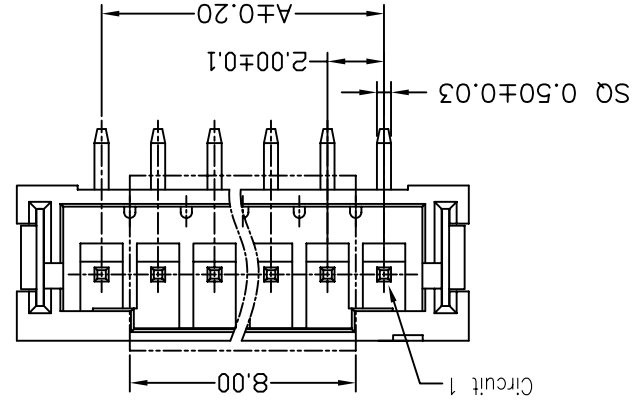
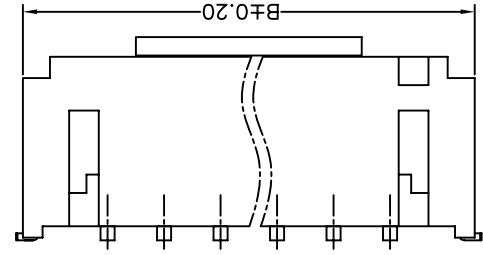
Ordering Information&Dimensions:

PART NO.		Dimensions	
A	B	A	B
A2001WV-S-02P	2.00	8.00	8.00
A2001WV-S-03P	4.00	10.00	10.00
A2001WV-S-04P	6.00	12.00	12.00
A2001WV-S-05P	8.00	14.00	14.00
A2001WV-S-06P	10.00	16.00	16.00
A2001WV-S-07P	12.00	18.00	18.00
A2001WV-S-08P	14.00	20.00	20.00
A2001WV-S-09P	16.00	22.00	22.00
A2001WV-S-10P	18.00	24.00	24.00
A2001WV-S-11P	20.00	26.00	26.00
A2001WV-S-12P	22.00	28.00	28.00
A2001WV-S-13P	24.00	30.00	30.00
A2001WV-S-14P	26.00	32.00	32.00
A2001WV-S-15P	28.00	34.00	34.00
A2001WV-S-16P	30.00	36.00	36.00

**CNM** Joint More Precision electronics Co.,Ltd.

DRAW NAME:	2.0mm pitch 180° SMT wifer
P/N NO.:	A2001WV-S-NP-HF
DATE:	2017.06.03
DESIGN:	陈雪峰
CHECK:	杨焯
REVIEW:	
REV. A/1	SCALE 1:1
UNIT:	mm
SHEET:	1 OF 1

DIM	TOL	X.XX	/
DIM	TOL	X.X	/
DIM	TOL	X.XX	/
DIM	TOL	X.XX	/
DIM	TOL	X.XXX	/
DIM	TOL	X.XXX	/
DIM	TOL	X.XXX	/



Dimensions		载带尺寸		盘箱	
B	W	B	W	B	W
16P	56	6	56	16P	56
14P	44	7	44	14P	44
13P				13P	
12P				12P	
11P				11P	
10P				10P	
9P				9P	
8P				8P	
7P				7P	
6P	32	10	32	6P	32
5P				5P	
4P				4P	
3P	24	14	24	3P	24
2P				2P	
B	W	B	W	B	W

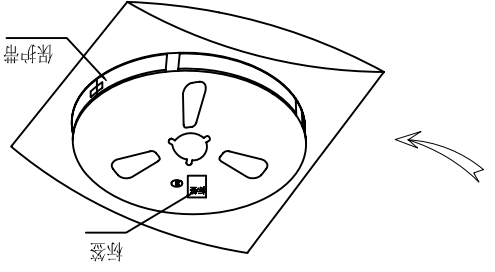
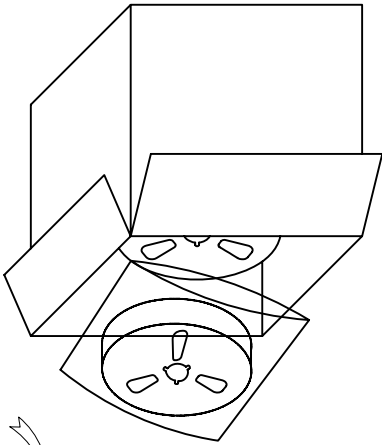
X.XX	TOL	DIM
X.XX	0.15	X.XX
X.X	0.25	X.X°
X.	/	X°
X	/	X.
X.XX	/	X.XX°

REV.:	DRAW NO.:	DATE:	P/N NO.:	SCALE 1:1	UNIT: mm	SHEET: 1 OF 1
CHECK: 杨焯	DESIGN: 陈雪峰	2017.06.03				
REVIEW:						

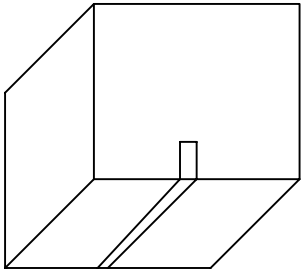
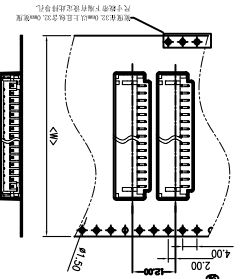
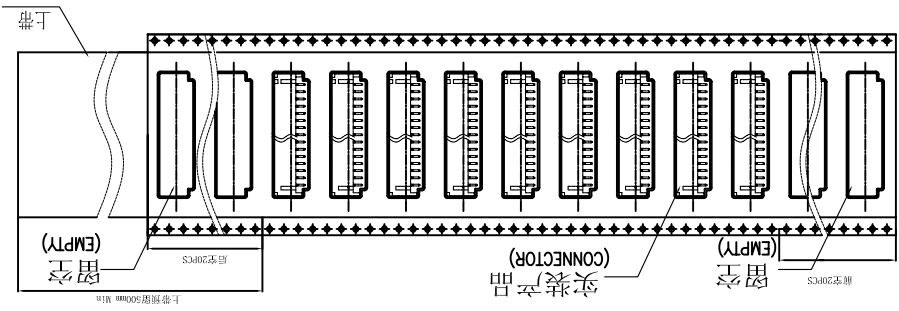
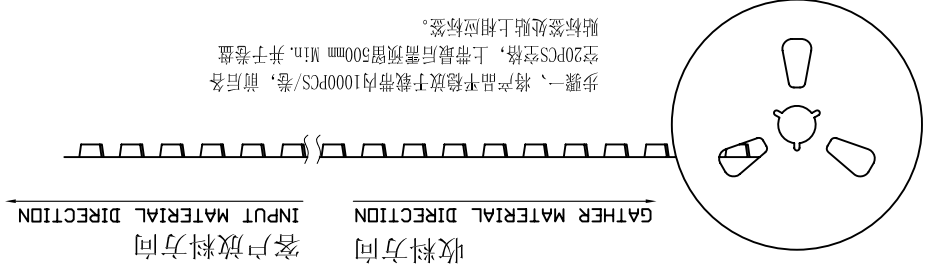
**CNJM** Joint More Precision electronics Co., Ltd.

步骤三、将封装好的卷盘放入纸箱，然后用胶带将纸箱封闭，并在纸箱上指定的位置贴上相应标签，注明产品名称及数量、生产日期等。

步骤二、在卷盘表层增加一层保护带，并在卷盘四周贴上美纹带，再套上1PES高密度PE袋，包装好后，需在包装卷盘上贴上产品标签，注明产品名称及数量等。

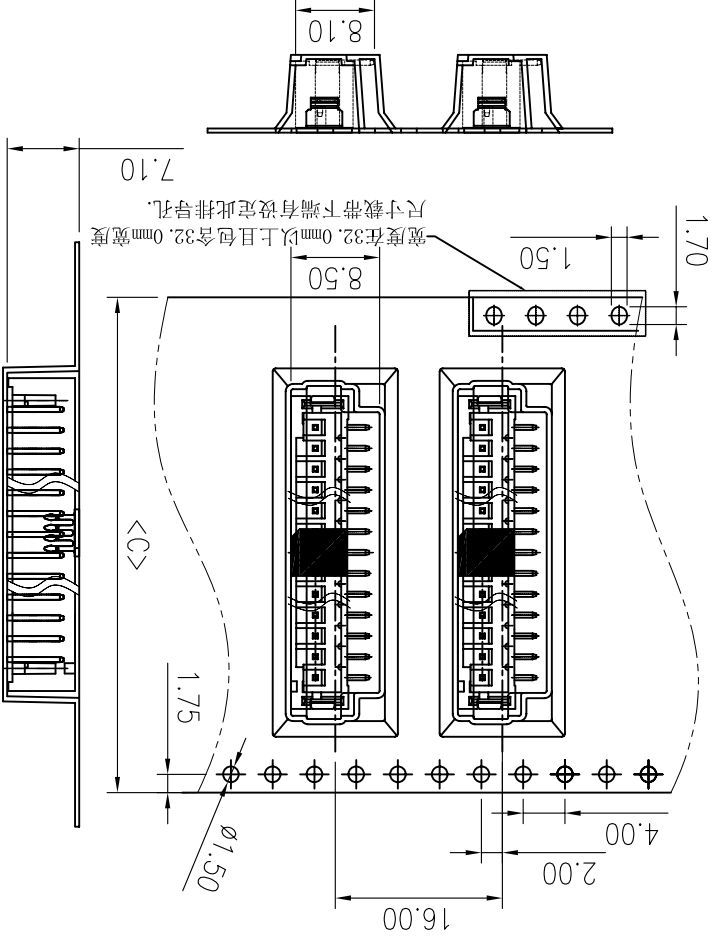
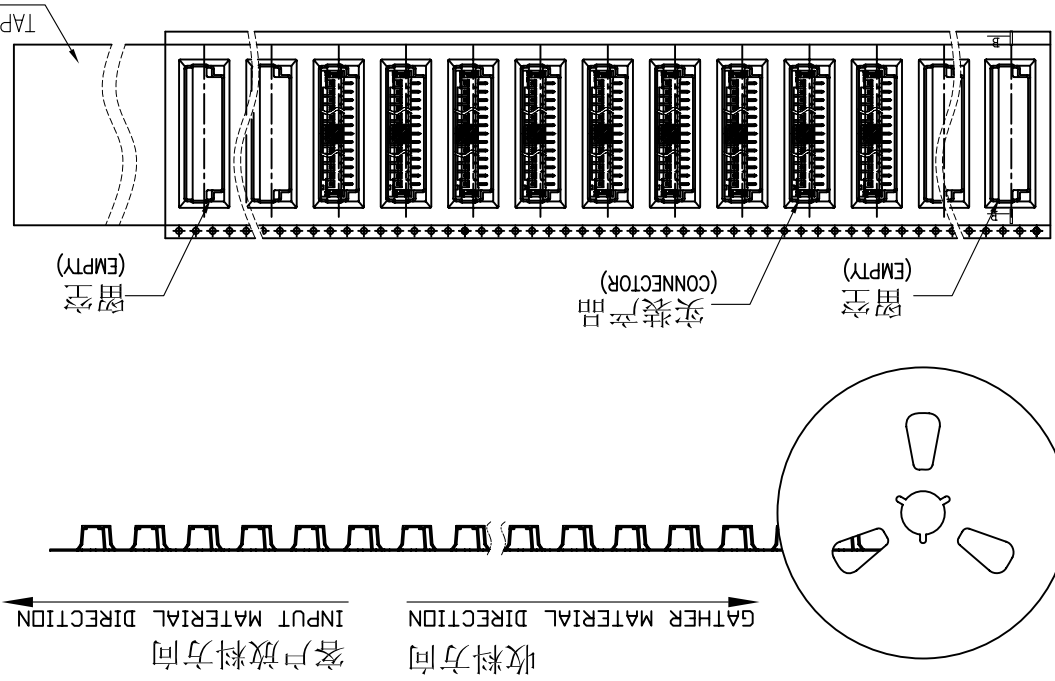
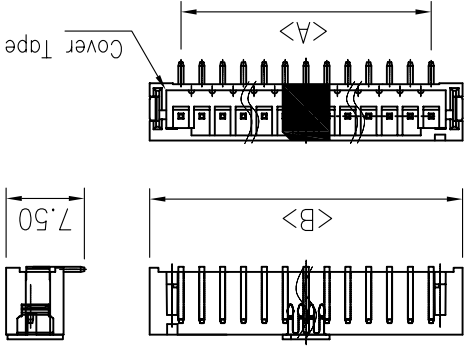


步骤一、将产品平稳放于载带内100PCS/卷，前后各空20PCS空格，上带最后需预留500mm Min.并于卷盘贴标签处贴上相应标签。



REV.:	ECN NO.:	DESCRIPTION	DATE	DESIGN
A				

Part No.	Dimensions			Reel/Box
	A	B	C	
A2001WV-S-02P	2.00	8.00	24.00	12
A2001WV-S-03P	4.00	10.00	24.00	
A2001WV-S-04P	6.00	12.00	24.00	10
A2001WV-S-05P	8.00	14.00	32.00	
A2001WV-S-06P	10.00	16.00	32.00	8
A2001WV-S-07P	12.00	18.00	32.00	
A2001WV-S-08P	14.00	20.00	32.00	6
A2001WV-S-09P	16.00	22.00	32.00	
A2001WV-S-10P	18.00	24.00	32.00	6
A2001WV-S-11P	20.00	26.00	32.00	
A2001WV-S-12P	22.00	28.00	32.00	6
A2001WV-S-13P	24.00	30.00	32.00	
A2001WV-S-14P	26.00	32.00	32.00	6
A2001WV-S-15P	28.00	34.00	32.00	
A2001WV-S-16P	30.00	36.00	32.00	6



DIM	TOL	/	X.XX
DIM	TOL	/	X.X
DIM	TOL	/	X.XX
DIM	TOL	/	X.XX

REV.	ECN NO.	DESCRIPTION	DATE
A			

REV. A/1	SCALE 1:1	UNIT: mm	SHEET 1 OF 1
DESIGN: 陈雪峰	DATE: 2017.06.03	CHECK: 杨焯	REVIEW: /
DRAW NAME: PH2.0 SMT 180° 包装规格		DRAW NO.:	

CNJM Joint More Precision electronics Co., Ltd.

REV.	ECN NO.	DESCRIPTION	DATE
A			

## X-ON Electronics

Largest Supplier of Electrical and Electronic Components

*Click to view similar products for [Headers & Wire Housings](#) category:*

*Click to view products by [CNJM](#) manufacturer:*

Other Similar products are found below :

[95000-104TRLF](#) [10135584-644402LF](#) [DF62W-EP2022PCA](#) [95000-106TRLF](#) [DF62W-2022SCA](#) [DF62W-EP2022PC](#) [2203348](#) [DF62W-2022SC](#) [1084018](#) [1029039](#) [1084017](#) [802-10-012-10-002000](#) [1112640](#) [1112639](#) [891-007-9SS-BST1T](#) [000-34000](#) [0008550134](#) [0009482033](#) [0009507031](#) [57102-F02-18ULF](#) [57102-S06-03LF](#) [57202-S52-04LF](#) [PCN6-15S-2.5E](#) [0039019024](#) [58102-G61-06LF](#) [582553-1](#) [0009485154](#) [0009508121](#) [0022285053](#) [0050291907](#) [018731A](#) [LY20-4P-DT1-P1E-BR](#) [02.125.8002.8](#) [60101931](#) [60598-1 \(Cut Strip\)](#) [M1625-3R/100](#) [61062-3](#) [61082-181009](#) [CSU011177004](#) [636-1427](#) [638009-1](#) [641938-9](#) [641991-4](#) [644168-1](#) [644827-2](#) [647662-1](#) [65039-019ELF](#) [65692-001LF](#) [65781-018](#) [65781-047](#)