

REV. A/1	SCALE 1:1	UNIT: mm	SHEET: 1 OF 1
REVIEW:			
CHECK: 杨焯			
DESIGN: 陈雪峰	2017.06.03	A2001H-NP	
DATE	P/N NO.	DRAW NAME: 2.0mm pitch housing	

DIM TOL	X.	/	X.
DIM	X.X	0.25	X.X
TOL	X.XX	0.15	X.XX
	X.XXX	0.10	X.XXX

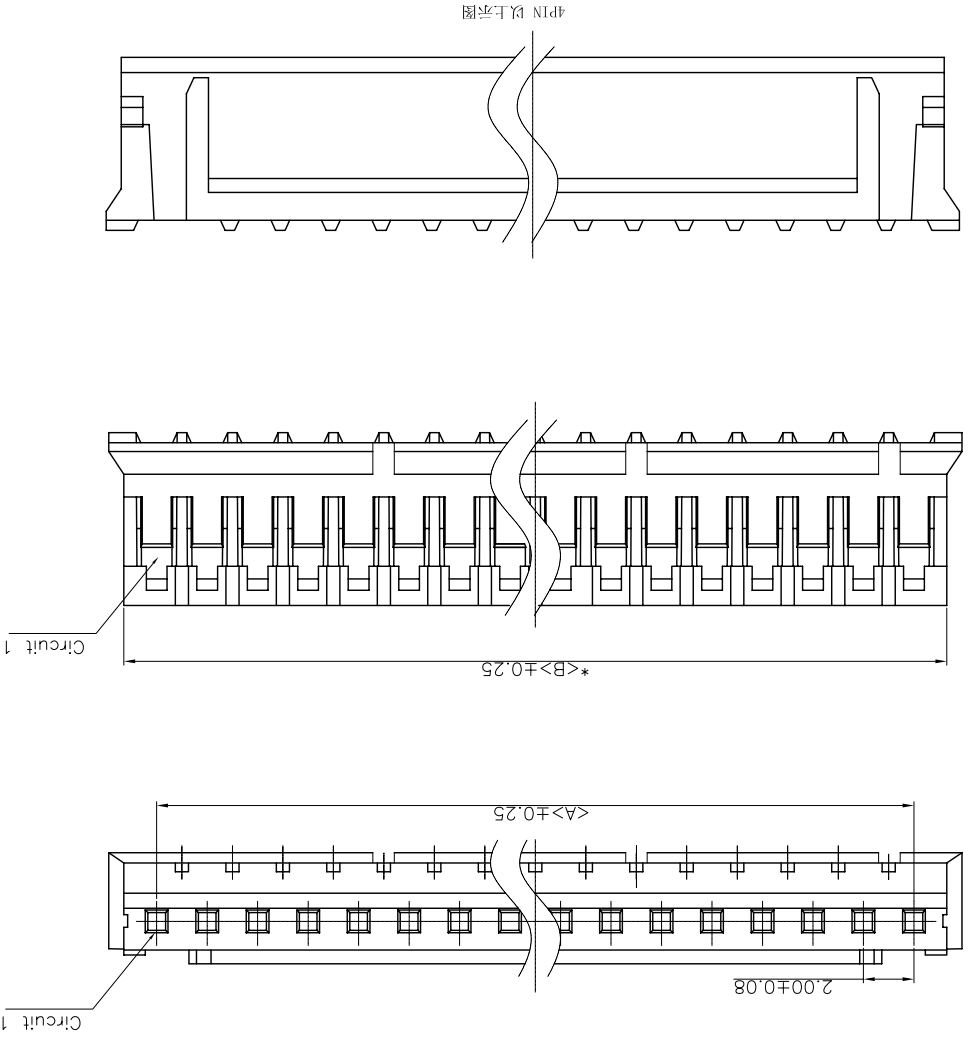
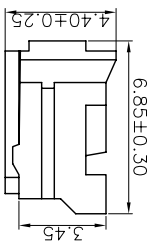
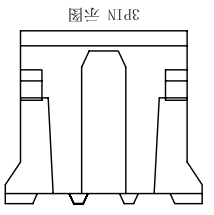
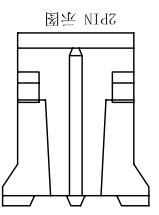
CNM Joint More Precision electronics Co., Ltd.

PART NO.	A	B
A2001H-02P	2.00	4.60
A2001H-03P	4.00	6.60
A2001H-04P	6.00	8.60
A2001H-05P	8.00	10.60
A2001H-06P	10.00	12.60
A2001H-07P	12.00	14.60
A2001H-08P	14.00	16.60
A2001H-09P	16.00	18.60
A2001H-10P	18.00	20.60
A2001H-11P	20.00	22.60
A2001H-12P	22.00	24.60
A2001H-13P	24.00	26.60
A2001H-14P	26.00	28.60
A2001H-15P	28.00	30.60
A2001H-16P	30.00	32.60

DIMENSIONS	A	B
	4.60	6.60

NOTES:
 CURRENT RATING: 2A AC/DC
 VOLTAGE RSTING: 100V AC/DC
 TEMPERATURE RANGE: -40°C ~ +105°C
 CONTACT RESISTANCE: 0.10MΩMax.
 INSULATION RESISTANCE: 1000MΩMin.
 WITHSTANDING VOLTAGE: 800V AC/MINUTE.
 WATRLAL: PA66 UL94V0.

REV. A		
ECN NO.		
DESCRIPTION		
DATE		
DESIGN		



Part NO.	Wire range	Insulation O.D.	Materials	Finish	Qty/reel
A2001-TP	AWG#24-32	1.8mm(max)	Phosphor Bronze	Tin-plated	10000PCS
A2001-TPE	AWG#24-32	1.8mm(max)	Phosphor Bronze	Tin-plated	10000PCS

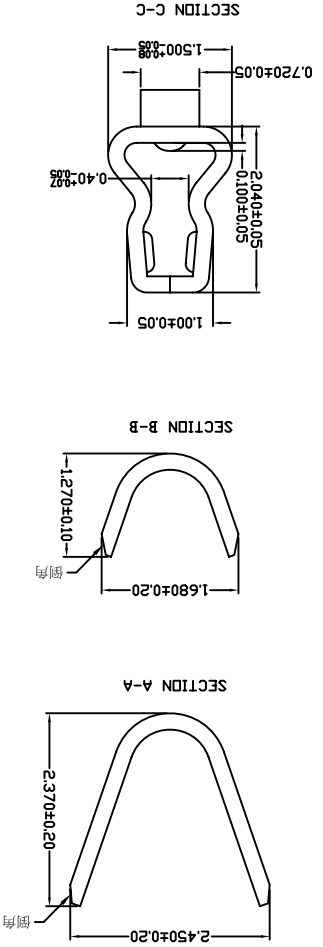
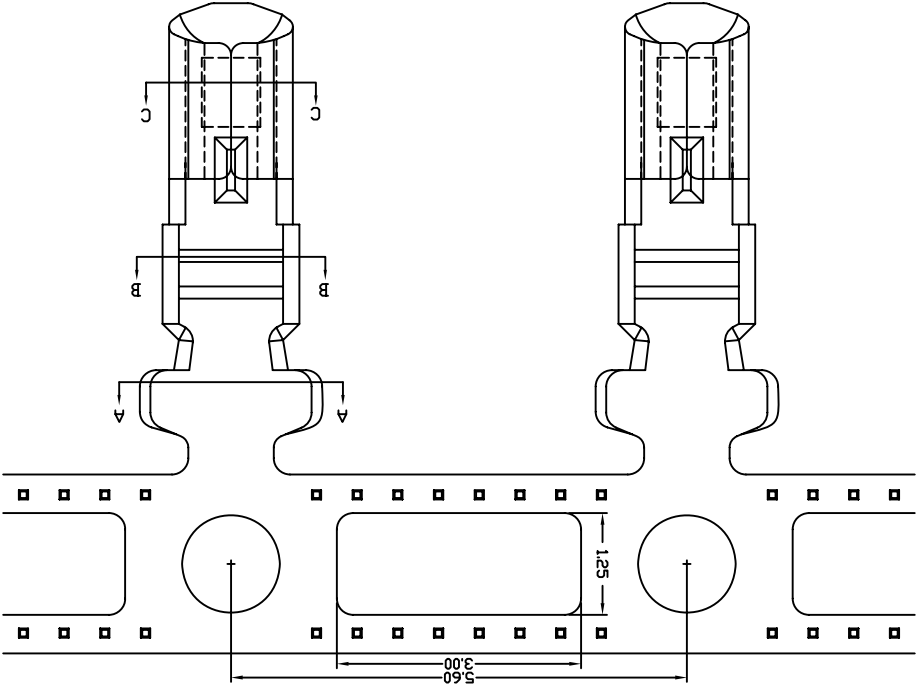
X	TOL	/
X.X	0.25	X.X*
X.XX	0.15	X.XX*
X.XXX	0.10	X.XXX*

REV. NO.	DATE	DESIGNER	CHECKER	REVIEWER
		陈雪峰	杨桦	

REV. A/1	SCALE 1:1	UNIT: MM	SHEET 1 OF 1
----------	-----------	----------	--------------

DRAW NO.	P/N NO.	2.0mm pitch Terminal
	A2001-XXX	

CNJM Joint More Precision electronics Co.,Ltd.



REV.	ECN NO.	DESCRIPTION	DATE	DESIGN
A				

DIM	X	/	X	/
DIM	X.X	/	X.X	/
TOL	/	/	/	/
TOL	0.10	/	0.15	/
X.XXX	/	/	/	/
X.XXX	/	/	/	/

REV. NO.	REV. A/1	SCALE 1:1
DATE	2017.06.03	
P/N NO.	A2001WR-S-NP-HF	
DESIGNER	陈雪峰	
CHECKER	杨焜	
REVIEWER		

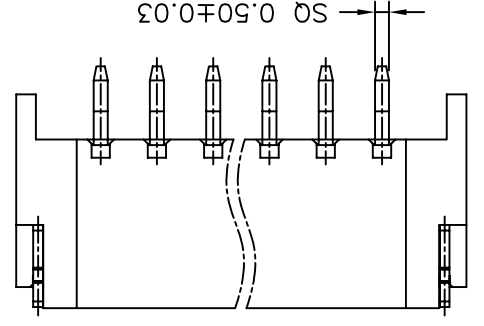
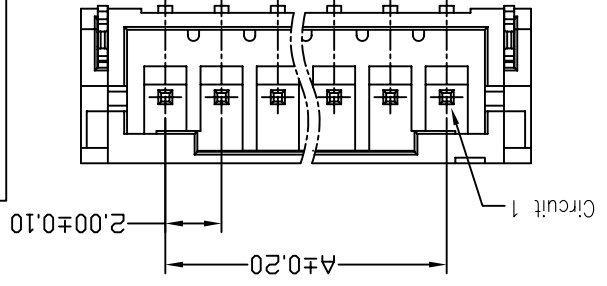
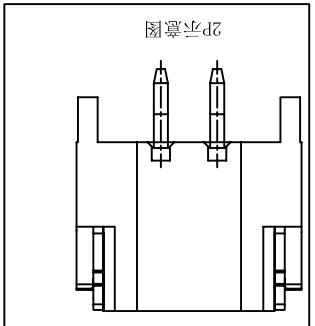
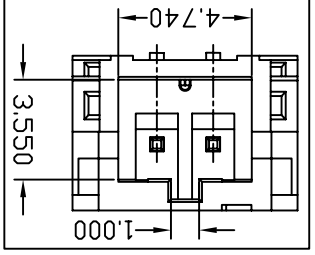
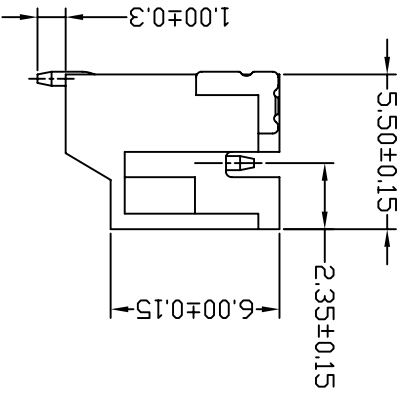
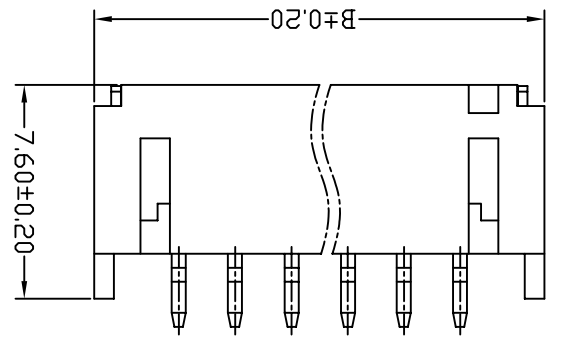
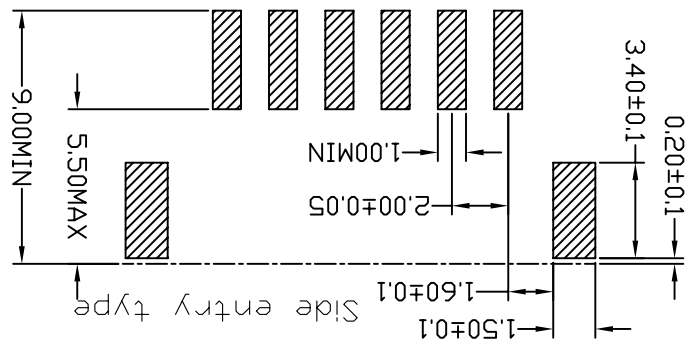
DRAW NAME	2.0mm pitch 90° SMT wifer
UNIT	mm
SHEET	1 OF 1

CNJM Joint More Precision electronics Co., Ltd.

PART NO.		Dimensions	
A	B	A	B
A2001WR-S-02P	2.00	8.00	10.00
A2001WR-S-03P	4.00	6.00	12.00
A2001WR-S-04P	6.00	8.00	14.00
A2001WR-S-06P	10.00	16.00	16.00
A2001WR-S-07P	12.00	18.00	20.00
A2001WR-S-08P	14.00	20.00	24.00
A2001WR-S-09P	16.00	22.00	26.00
A2001WR-S-10P	18.00	24.00	28.00
A2001WR-S-11P	20.00	26.00	30.00
A2001WR-S-12P	22.00	28.00	32.00
A2001WR-S-13P	24.00	30.00	34.00
A2001WR-S-14P	26.00	32.00	36.00
A2001WR-S-15P	28.00	34.00	
A2001WR-S-16P	30.00	36.00	

Ordering Information&Dimensions:

- SPECIFICATIONS**
- 1) MATERIAL: HOUSING:PA9T,UL94V-0, TERMINAL:BRASS,TIN PLATING
 - 2) CURRENT RATING:2A AC/DC,
 - 3) VOLTAGE RATING:100V AC/DC
 - 4) CONTACT RESISTANCE:20M OHMS MAX
 - 5) INSULATION RESISTANCE:1,000 OHMS MIN.
 - 6) TEMPERATURE RANGE:-40°~+105°.



REV.	A		
ECN NO.			
DESCRIPTION			
DATE			
DESIGN			

REV	ECN NO.	DESCRIPTION	DATE	DESIGN
A				

SPECIFICATIONS

1) MATERIAL: HOUSING:PA9T,UL94V-0.

TERMINAL:BRASS,TIN PLATING

2) CURRENT RATING:2A AC,DC.

3) VOLTAGE RATING:100V AC/DC

4) CONTACT RESISTANCE:20M OHMS MAX

5) INSULATION RESISTANCE:1,000M OHMS MIN.

6) TEMPERATURE RANGE:-40~+105°.

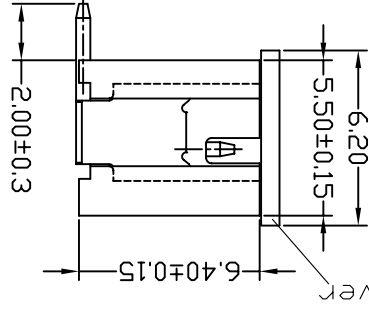
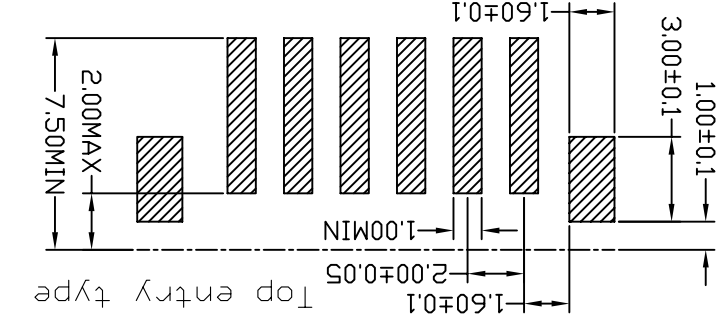
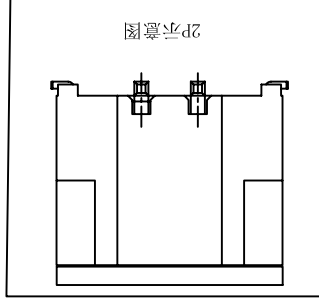
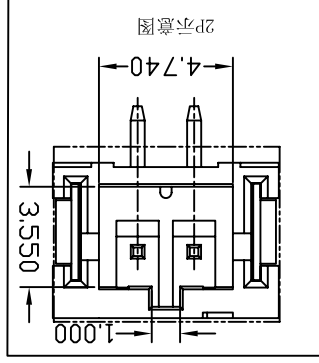
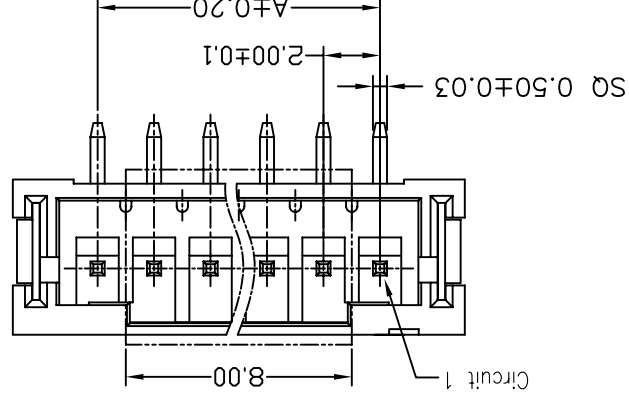
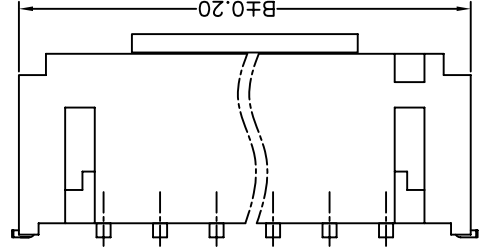
Ordering Information&Dimensions:

PART NO.		Dimensions	
A	B	A	B
A2001WV-S-02P	2.00	8.00	8.00
A2001WV-S-03P	4.00	10.00	10.00
A2001WV-S-04P	6.00	12.00	12.00
A2001WV-S-05P	8.00	14.00	14.00
A2001WV-S-06P	10.00	16.00	16.00
A2001WV-S-07P	12.00	18.00	18.00
A2001WV-S-08P	14.00	20.00	20.00
A2001WV-S-09P	16.00	22.00	22.00
A2001WV-S-10P	18.00	24.00	24.00
A2001WV-S-11P	20.00	26.00	26.00
A2001WV-S-12P	22.00	28.00	28.00
A2001WV-S-13P	24.00	30.00	30.00
A2001WV-S-14P	26.00	32.00	32.00
A2001WV-S-15P	28.00	34.00	34.00
A2001WV-S-16P	30.00	36.00	36.00

CNM Joint More Precision electronics Co.,Ltd.

REV. A/1	SCALE 1:1	UNIT: mm	SHEET 1 OF 1
DESIGN: 陈雪峰	DATE: 2017.06.03	P/N NO: A2001WV-S-NP-HF	DRAW NAME: 2.0mm pitch 180° SMT wifer
CHECK: 杨焯			
REVIEW:			

DIM TOL	/	X.XX
DIM TOL	/	X.X
X.XX	0.15	X.XX
X.XX	0.10	X.XX



Dimensions	B	W	Reel/Box
	载带尺寸	盘箱	
16P	56	6	
15P	44	7	
14P			
13P			
12P			
11P			
10P			
9P	32	10	
8P			
7P			
6P			
5P	24	14	
4P			
3P			
2P			

X.XX	X.XX*	X.XX*	X.XX*
0.10	0.15	0.25	/
DIM TOL	DIM	TOL	DIM

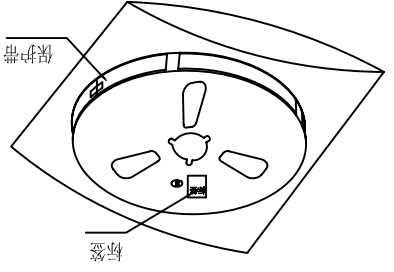
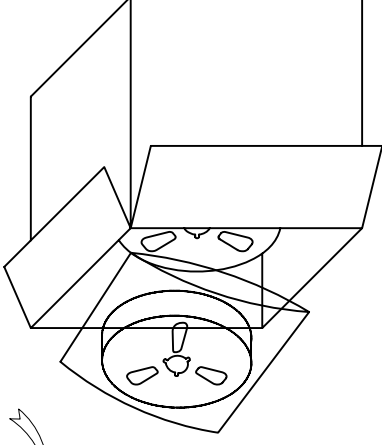
REV.:	CHECK:	DESIGN:	DATE:
	杨焯	陈雪峰	2017.06.03
REV. A/1			

UNIT: mm	SCALE 1:1	P/N NO:	DRAW NAME:
1 OF 1			PH2.0 SMT 90° 包装规格

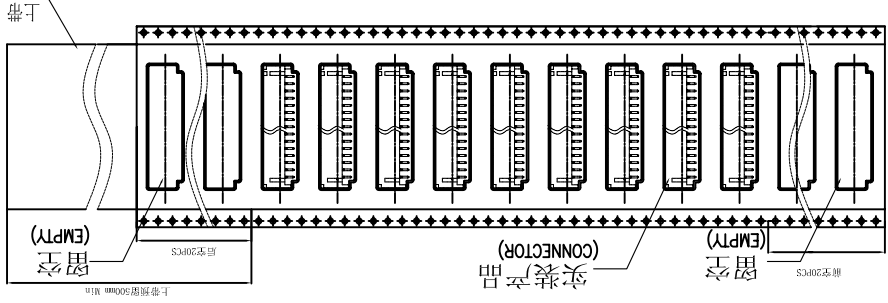
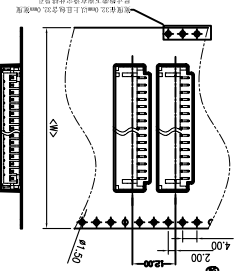
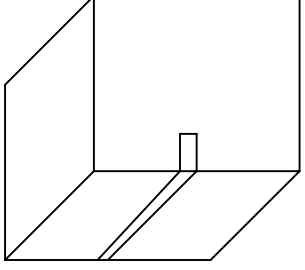
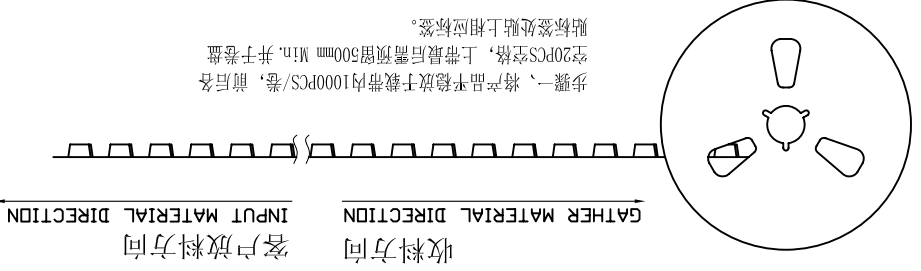
CNJM Joint More Precision electronics Co.,Ltd.

步骤三、将封装好的卷盘放入纸箱，然后用胶带将纸箱封闭，并在纸箱上指定的位置贴上相应标签，注明产品名称及数量、生产日期等。

步骤二、在卷盘表层增加一层保护带，并在卷盘四周贴上美纹带，再套上1PCS高密度PE袋，包装好后，需在包装卷盘上贴上产品标签，注明产品名称及数量等。

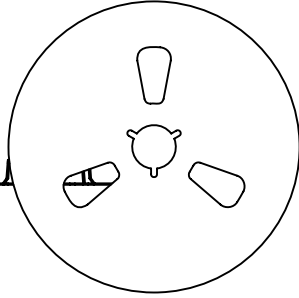
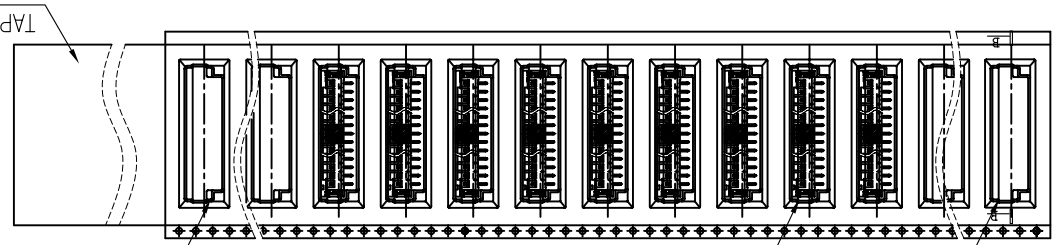
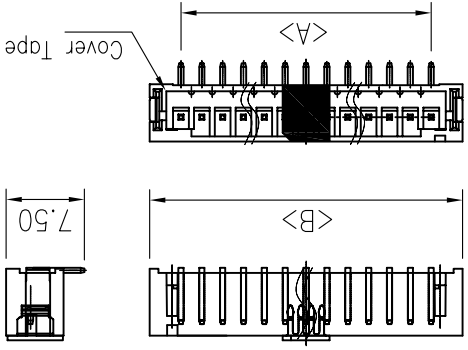


步骤一、将产品平穩放于载带内1000PCS/卷，前后各空20PCS空格，上带最后需预留500mm Min.并于卷盘贴标签处贴上相应标签。

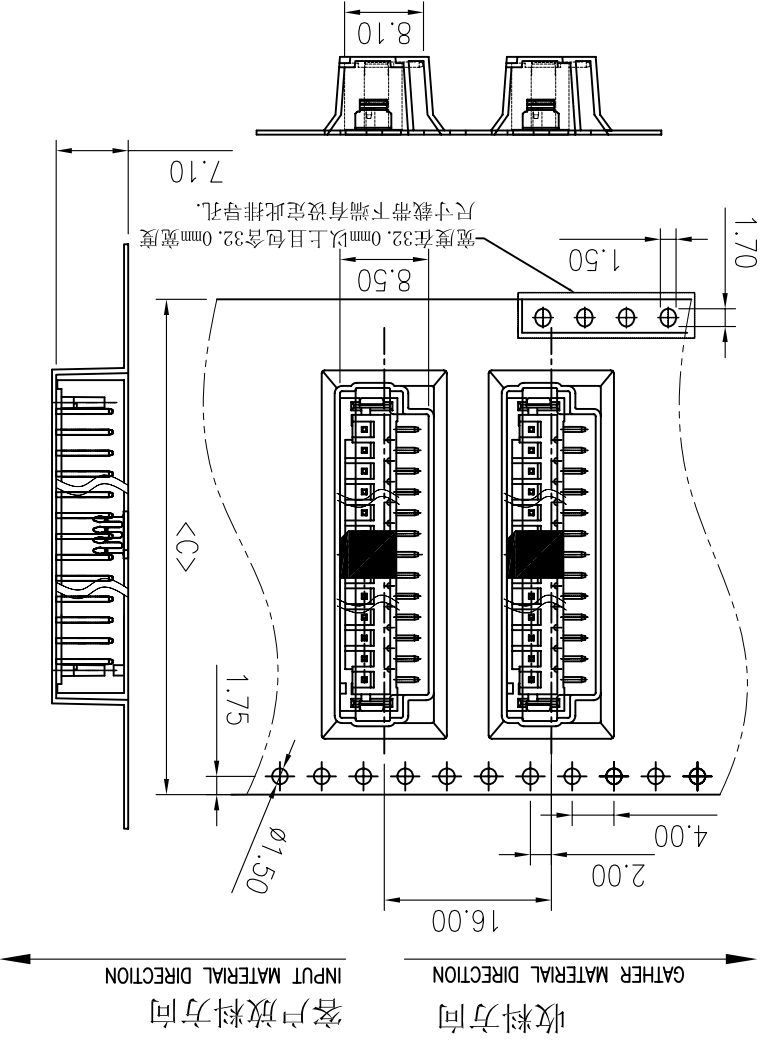


REV.:	ECN NO.	DESCRIPTION	DATE
A			

Part No.	Dimensions			Reel/Box
	A	B	C	
A2001WV-S-02P	2.00	8.00	24.0	12
A2001WV-S-03P	4.00	10.00	24.0	
A2001WV-S-04P	6.00	12.00	32.0	10
A2001WV-S-05P	8.00	14.00		
A2001WV-S-06P	10.00	16.00	44.0	8
A2001WV-S-07P	12.00	18.00		
A2001WV-S-08P	14.00	20.00	56.0	6
A2001WV-S-09P	16.00	22.00		
A2001WV-S-10P	18.00	24.00	30.00	36.00
A2001WV-S-11P	20.00	26.00		
A2001WV-S-12P	22.00	28.00	28.00	34.00
A2001WV-S-13P	24.00	30.00		
A2001WV-S-14P	26.00	32.00	30.00	36.00
A2001WV-S-15P	28.00	34.00		
A2001WV-S-16P	30.00	36.00		



收料方向
客户放料方向
GATHER MATERIAL DIRECTION
INPUT MATERIAL DIRECTION



宽度在32.0mm以上且包含32.0mm宽度
尺寸载带下端有设定此排导孔。

CNJM Joint More Precision electronics Co., Ltd.

REV. A/1	SCALE 1:1	UNIT: mm	SHEET 1 OF 1
REVIEW:	CHECK:	DESIGN:	DATE:
	杨焯	陈雪峰	2017.06.03
DRAW NO.:	P/N NO.:	DATE:	DESIGN NAME:
			PH2.0 SMT 180° 包装规格

REV. A	ECN NO.	DESCRIPTION	DATE	DESIGN

X-ON Electronics

Largest Supplier of Electrical and Electronic Components

Click to view similar products for [Headers & Wire Housings](#) category:

Click to view products by [CNJM](#) manufacturer:

Other Similar products are found below :

[95000-104TRLF](#) [10135584-644402LF](#) [DF62W-EP2022PCA](#) [95000-106TRLF](#) [DF62W-2022SCA](#) [DF62W-EP2022PC](#) [2203348](#) [DF62W-2022SC](#) [1084018](#) [1029039](#) [1084017](#) [802-10-012-10-002000](#) [1112640](#) [1112639](#) [891-007-9SS-BST1T](#) [000-34000](#) [0008550134](#) [0009482033](#) [0009507031](#) [57102-F02-18ULF](#) [57102-S06-03LF](#) [57202-S52-04LF](#) [PCN6-15S-2.5E](#) [0039019024](#) [58102-G61-06LF](#) [582553-1](#) [0009485154](#) [0009508121](#) [0022285053](#) [0050291907](#) [018731A](#) [LY20-4P-DT1-P1E-BR](#) [02.125.8002.8](#) [60101931](#) [60598-1 \(Cut Strip\)](#) [M1625-3R/100](#) [61062-3](#) [61082-181009](#) [CSU011177004](#) [636-1427](#) [638009-1](#) [641938-9](#) [641991-4](#) [644168-1](#) [644827-2](#) [647662-1](#) [65039-019ELF](#) [65692-001LF](#) [65781-018](#) [65781-047](#)