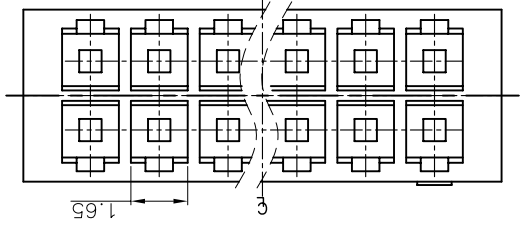
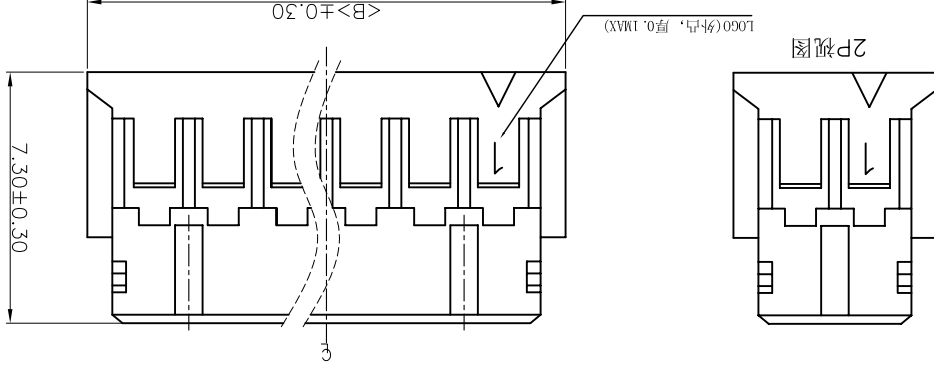
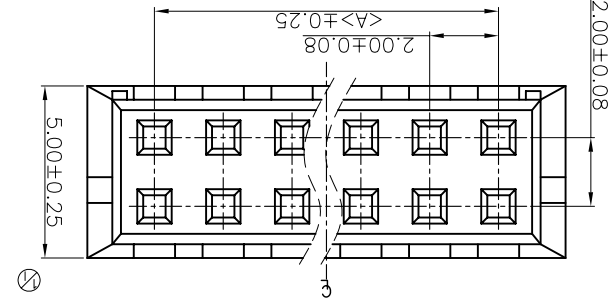
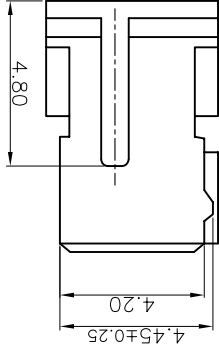
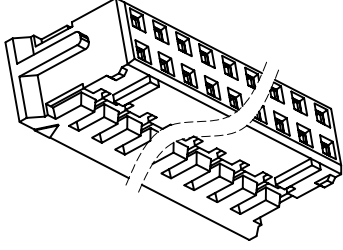


REV.	A	
ECN NO.		
DESCRIPTION	委重料号	
DATE	16/11/22	
DESIGN	苏亮	

NOTES:

CURRENT RATING:3A AC/DC.
 VOLTAGE RATING:250V AC/DC
 TEMPERATURE RANGE:-40℃~+105℃.
 CONTACT RESISTANCE:10MΩ Max.
 INSULATION RESISTANCE:1000MΩ Min.
 WITHSTANDING VOLTAGE: 800V AC/MINUTE.
 WATRLAL:PA66:UL94V-0.

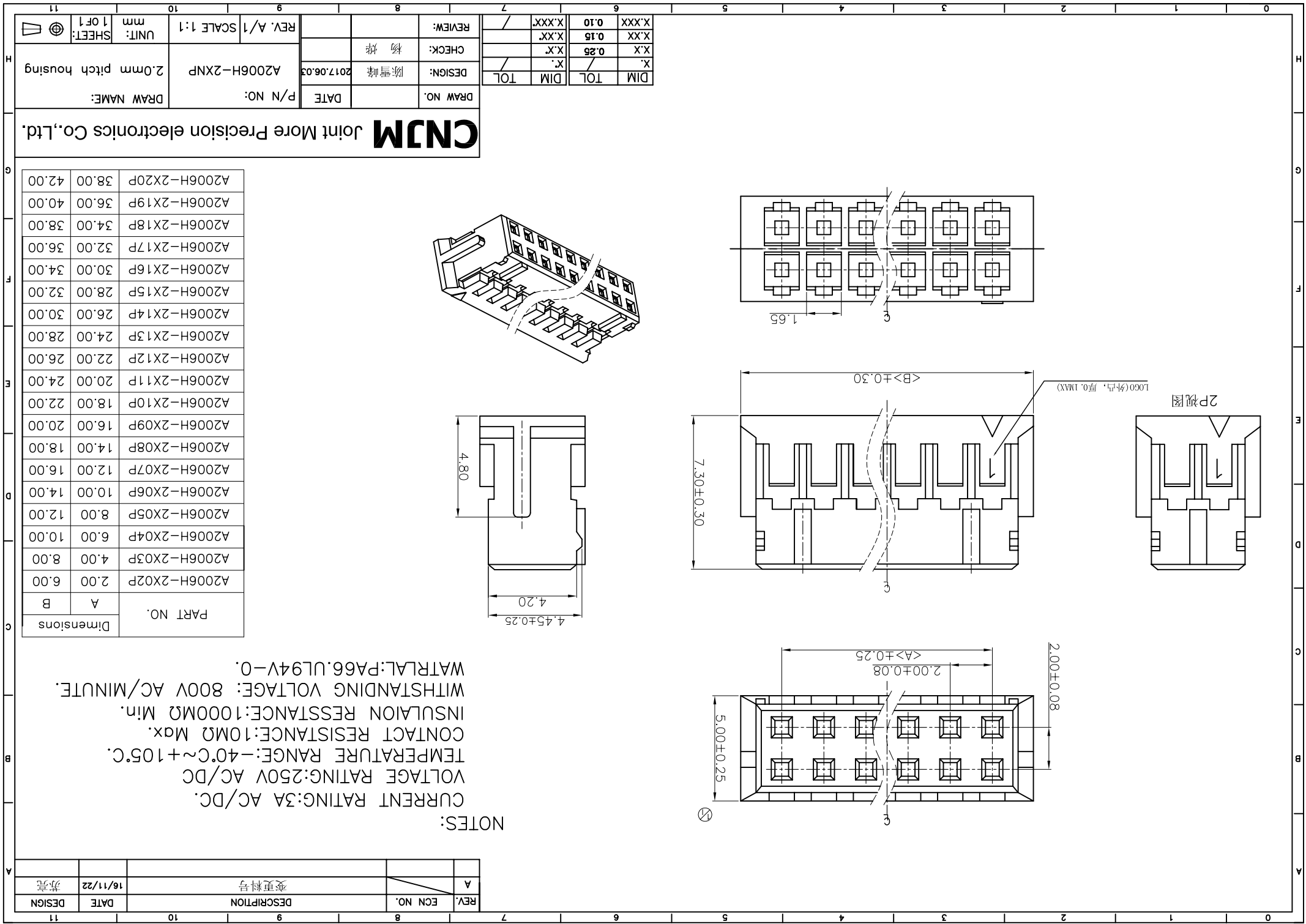
PART NO.	Dimensions	
	A	B
A2006H-2X02P	2.00	6.00
A2006H-2X03P	4.00	8.00
A2006H-2X04P	6.00	10.00
A2006H-2X05P	8.00	12.00
A2006H-2X06P	10.00	14.00
A2006H-2X07P	12.00	16.00
A2006H-2X08P	14.00	18.00
A2006H-2X09P	16.00	20.00
A2006H-2X10P	18.00	22.00
A2006H-2X11P	20.00	24.00
A2006H-2X12P	22.00	26.00
A2006H-2X13P	24.00	28.00
A2006H-2X14P	26.00	30.00
A2006H-2X15P	28.00	32.00
A2006H-2X16P	30.00	34.00
A2006H-2X17P	32.00	36.00
A2006H-2X18P	34.00	38.00
A2006H-2X19P	36.00	40.00
A2006H-2X20P	38.00	42.00



CNJM Joint More Precision electronics Co.,Ltd.

DRAW NO.:	DATE:	P/N NO.:	DRAW NAME:
DESIGN:	陈雪峰	A2006H-2XNP	2.0mm pitch housing
CHECK:	杨焯	REV. A/1	SCALE 1:1
REVIEW:		UNIT: mm	SHEET: 1 OF 1

DIM	TOL	X.XX	0.10
DIM	TOL	X.XX	0.15
DIM	TOL	X.X	0.25
DIM	TOL	X.X	
DIM	TOL	X.XXX	



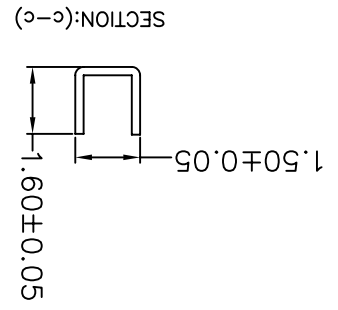
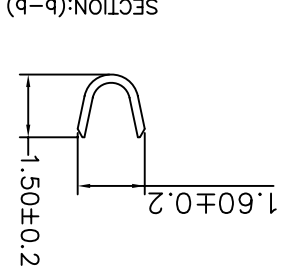
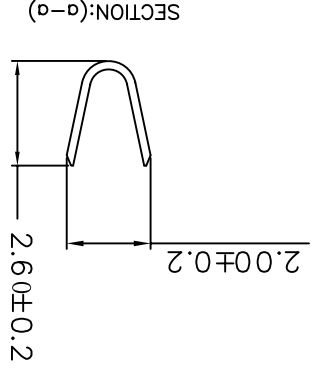
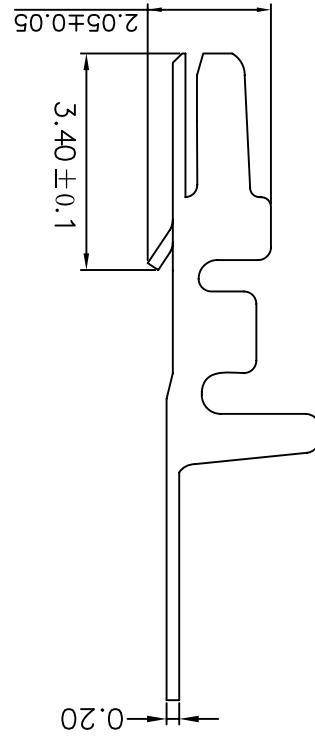
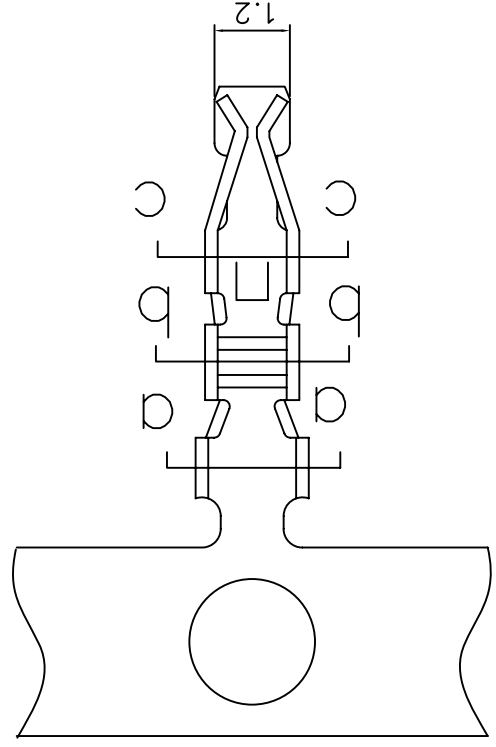
Part NO.	Wire range	Insulation O.D.	Materials	Finish	Qty/reel
A2006-TP	AWG#22-28	1.5mm(max)	Phosphor Bronze	Tin-plated	10000PCS
A2006-TPE	AWG#22-28	1.5mm(max)	Phosphor Bronze	Tin-plated	10000PCS

DIM	TOL	DIM	TOL
X.XX	/	X.XX	/
X.XX	0.15	X.XX	/
X.X	0.25	X.X	/
X.	/	X.	/
DIM	TOL	DIM	TOL
X.XXX°	/	X.XXX°	/

REV. NO.	DATE	P/N NO.	DESIGN	CHECK	REVIEW
A	2017.06.08	A2006-XXX	陈雪峰	杨焯	

REV. A/1	SCALE 1:1	UNIT: mm	SHEET: 1 OF 1
DRAW NAME: 2.0mm pitch Terminal			

CNJM Joint More Precision electronics Co.,Ltd.



REV. A	ECN NO.	DESCRIPTION	DATE
		變遷料号	16/11/22
		苏亮	

REV.	A	
ECN NO.		
DESCRIPTION	变更料号	
DATE	17/06/08	苏亮

Specifications:

Current rating:3A AC/DC.
Voltage rating:250V AC/DC.
Temperature range:-40°C~+105°C.
Contact resistance:10MΩ Max.
Insulation resistance:1000MΩ Min.
Withstanding voltage: 800V AC/minute.
Material:PA66+GF15;UL94V-0.

PART NO.	Dimensions	
	A	B

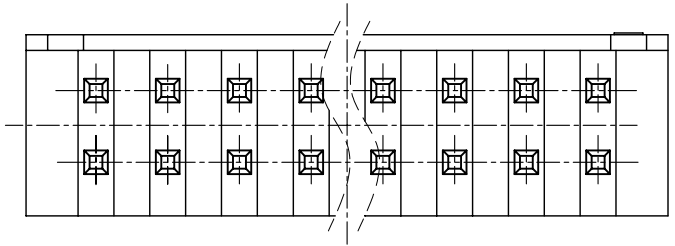
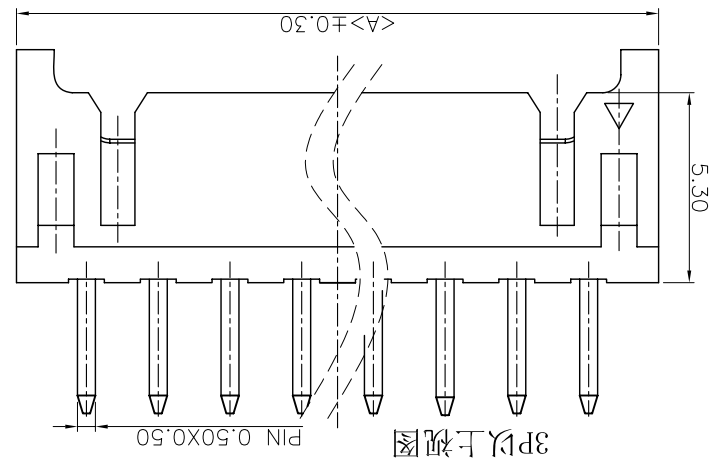
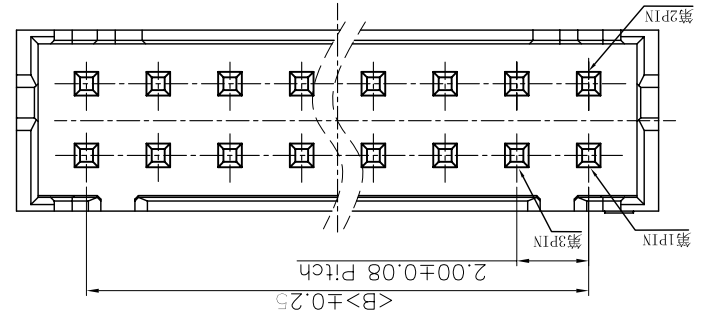
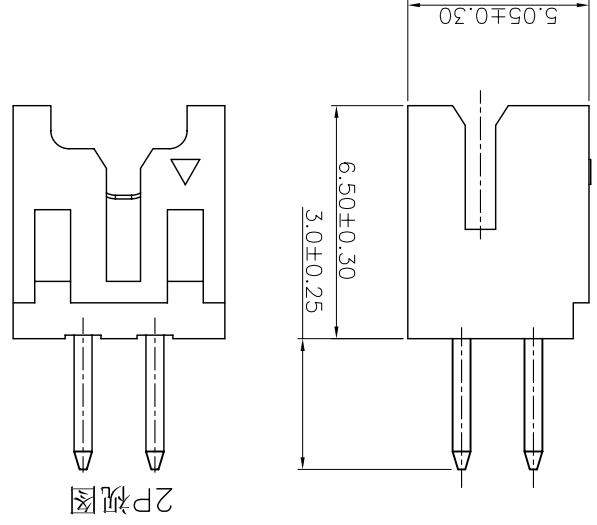
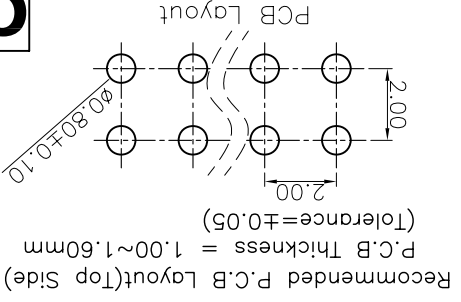
A2006WV-2X02P	6.00	2.00
A2006WV-2X03P	8.00	4.00
A2006WV-2X04P	10.00	6.00
A2006WV-2X05P	12.00	8.00
A2006WV-2X06P	14.00	10.00
A2006WV-2X07P	16.00	12.00
A2006WV-2X08P	18.00	14.00
A2006WV-2X09P	20.00	16.00
A2006WV-2X10P	22.00	18.00
A2006WV-2X11P	24.00	20.00
A2006WV-2X12P	26.00	22.00
A2006WV-2X13P	28.00	24.00
A2006WV-2X14P	30.00	26.00
A2006WV-2X15P	32.00	28.00
A2006WV-2X16P	34.00	30.00
A2006WV-2X17P	36.00	32.00
A2006WV-2X18P	38.00	34.00
A2006WV-2X19P	40.00	36.00
A2006WV-2X20P	42.00	38.00

CNJM

Joint More Precision electronics Co.,Ltd.

DRAW NO.	DATE	P/N NO.	DRAW NAME:
DESIGN:	2017.06.03	A2006WV-2XNP	2.0mm pitch 180° wafer
CHECK:			
REVIEW:			

DIM	TOL	X.XXX
DIM	TOL	X.XX
DIM	TOL	X.X
DIM	TOL	X.
DIM	TOL	X.XXX
DIM	TOL	X.XX
DIM	TOL	X.X
DIM	TOL	X.

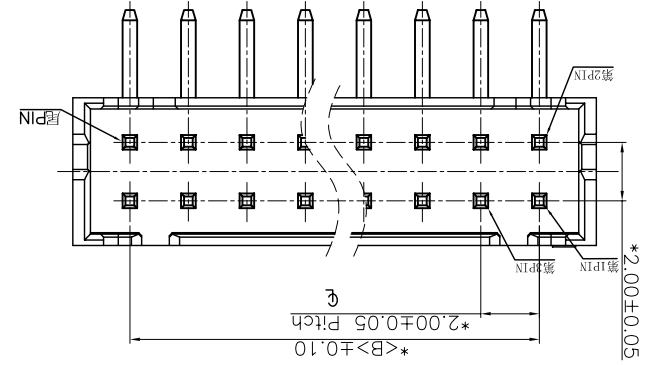
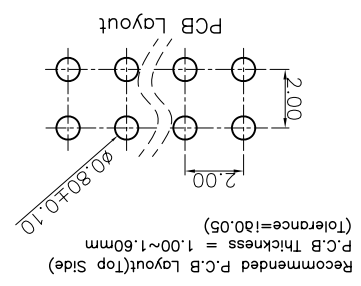


DIM	TOL	X.	/	
DIM	TOL	X.X'	/	
X.XX	0.15	X.XX'	/	
X.XXX	0.10	X.XXX'	/	

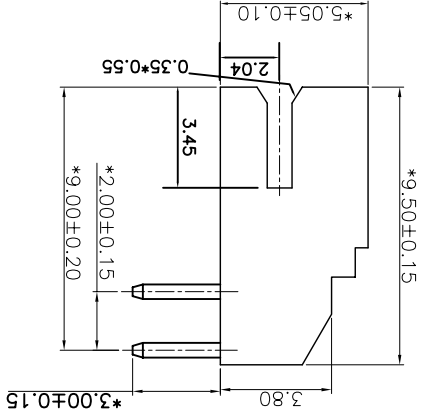
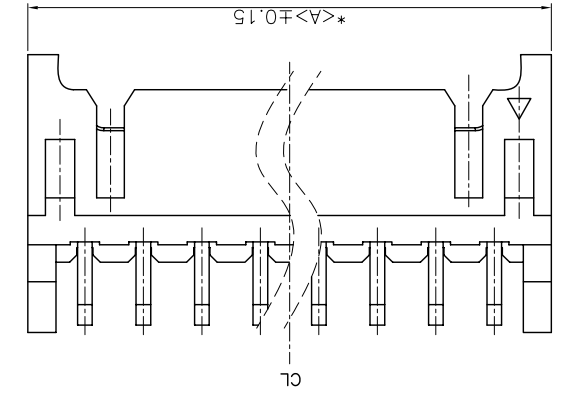
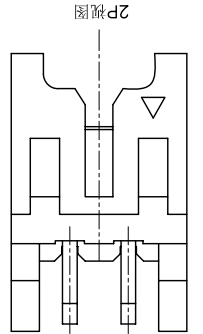
REV.:			
CHECK:	杨焯		
DESIGN:	陈雪峰	2017.06.03	
DATE:			
P/N NO.:	A2006WR-2XNP		

REV. A/1	SCALE 1:1	UNIT: mm	SHEET: 1 OF 1
DRAW NAME:	2.0mm pitch 90° water		

CNM Joint More Precision electronics Co., Ltd.



PART NO.		Dimensions	
A	B	A	B
A2006WR-2X02P	6.00	2.00	4.00
A2006WR-2X03P	8.00	4.00	6.00
A2006WR-2X04P	10.00	6.00	8.00
A2006WR-2X05P	12.00	8.00	10.00
A2006WR-2X06P	14.00	10.00	12.00
A2006WR-2X07P	16.00	12.00	14.00
A2006WR-2X08P	18.00	14.00	16.00
A2006WR-2X09P	20.00	16.00	18.00
A2006WR-2X10P	22.00	18.00	20.00
A2006WR-2X11P	24.00	20.00	22.00
A2006WR-2X12P	26.00	22.00	24.00
A2006WR-2X13P	28.00	24.00	26.00
A2006WR-2X14P	30.00	26.00	28.00
A2006WR-2X15P	32.00	28.00	30.00
A2006WR-2X16P	34.00	30.00	32.00
A2006WR-2X17P	36.00	32.00	34.00
A2006WR-2X18P	38.00	34.00	36.00
A2006WR-2X19P	40.00	36.00	38.00
A2006WR-2X20P	42.00	38.00	40.00



Specifications:
 Current rating: 3A AC/DC.
 Voltage rating: 250V AC/DC
 Temperature range: -40°C~+105°C.
 Contact resistance: 10mΩ Max.
 Insulation resistance: 1000MΩ Min.
 Withstanding voltage: 800V AC/minute.
 Material: Pa66+GF15, UL94V-0.

REV.:	A		
ECON NO.:			
DESCRIPTION	变更料号		
DATE	17/06/08		
DESIGN	苏亮		

DIM	TOL	X.XX	0.10	X.XXX
DIM	TOL	X.XX	0.15	X.XXX
DIM	TOL	X.X	0.25	X.XX
DIM	TOL	X.	/	X.
DIM	TOL	/	/	/

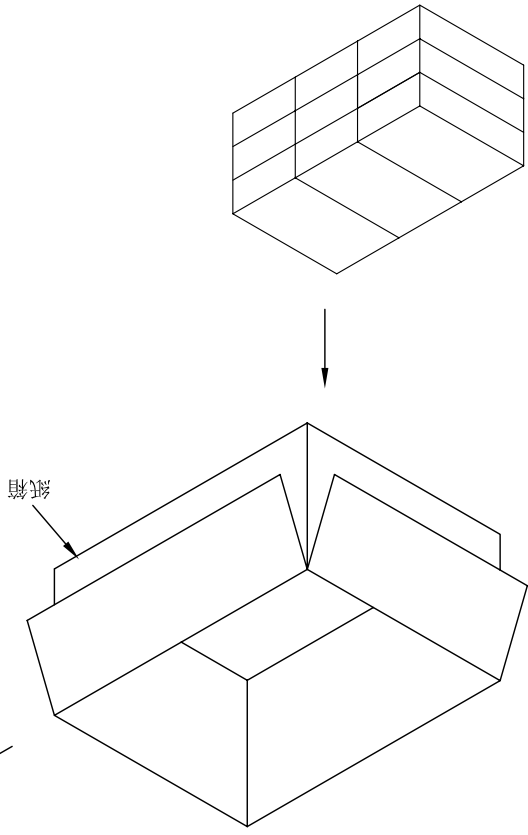
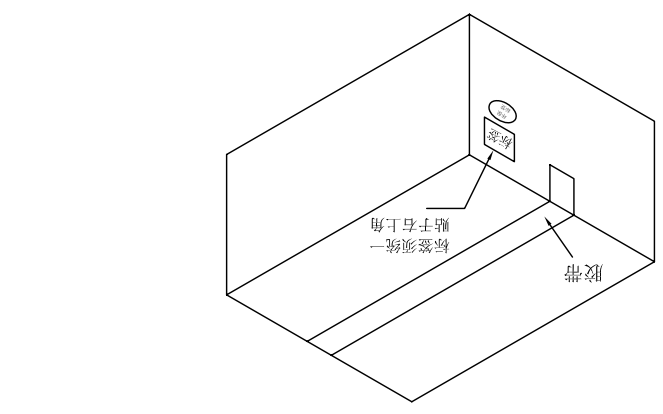
REV. A/1	SCALE 1:1	UNIT: mm	SHEET: 1 OF 1
REVIEW:	CHECK: 杨焯	DESIGN: 陈雪峰	DATE: 2017.2.9

DRAW NAME: P/N NO: DATE: DRAW NO.

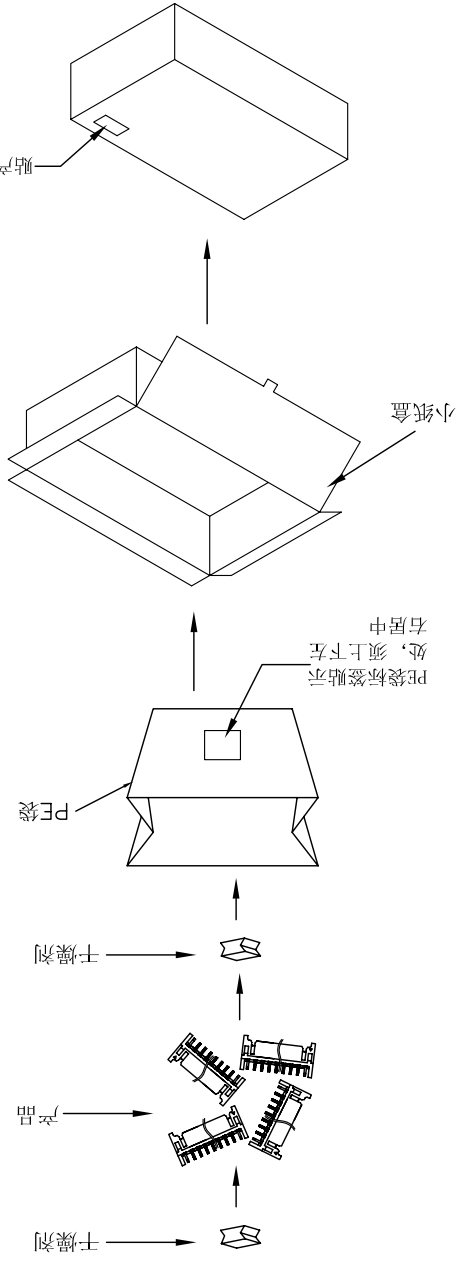
PHI2.0 90° Water 系列袋包装规范

CNJM Joint More Precision electronics Co., Ltd.

产品料号	PE袋规格	PE袋包装数量	纸箱包装数量
A2006WR-2X02P	18*24cm	1000	9000
A2006WR-2X03P	18*24cm	1000	9000
A2006WR-2X04P	18*24cm	1000	9000
A2006WR-2X05P	21*26cm	1000	4500
A2006WR-2X06P	18*24cm	500	4500
A2006WR-2X07P	18*24cm	500	4500
A2006WR-2X08P	21*26cm	500	4500
A2006WR-2X09P	21*26cm	500	4500
A2006WR-2X10P	21*26cm	500	4500
A2006WR-2X11P	21*26cm	500	4500
A2006WR-2X12P	21*26cm	400	3600
A2006WR-2X13P	21*26cm	400	3600
A2006WR-2X14P	21*26cm	300	2700
A2006WR-2X15P	21*26cm	300	2700
A2006WR-2X16P	21*26cm	200	1800
A2006WR-2X17P	21*26cm	200	1800
A2006WR-2X18P	21*26cm	200	1800
A2006WR-2X19P	21*26cm	150	1350
A2006WR-2X20P	21*26cm	150	1350



- 注意:
1. 将产品轻轻放入PE袋并在PE袋底部和口部各放一包干燥剂, 不能将产品端子或PIN针弄变形, 最后将PE袋密封好, 后在PE袋外贴1PCS产品标签;
 2. 将封好的PE袋装入小纸盒内并扣上小纸盒盖子, 每个小纸盒内只放一袋产品。(小纸盒外右上角需贴1PCS产品标示)
 3. 将装好产品的小纸盒平放入纸箱内, 每层平放3盒, 每箱放3层, 共计9盒, 封好纸箱并在侧面右上角贴1PCS出货标签;
 4. PE袋规格: 详见包装列表(PE袋规格为无孔), 每PE袋放入产品的数量及整箱的数量, 不能多放或少放。小纸盒规格: 25*15*7CM
纸箱规格: 18.5*10.5*11英寸



REV.	ECH NO.	DESCRIPTION	DATE	DESIGN
A				

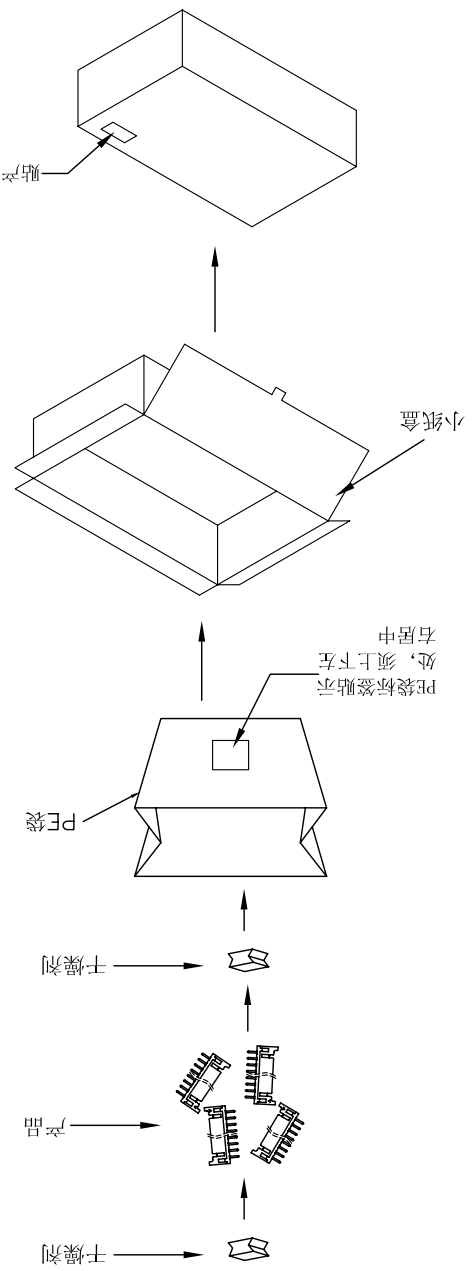
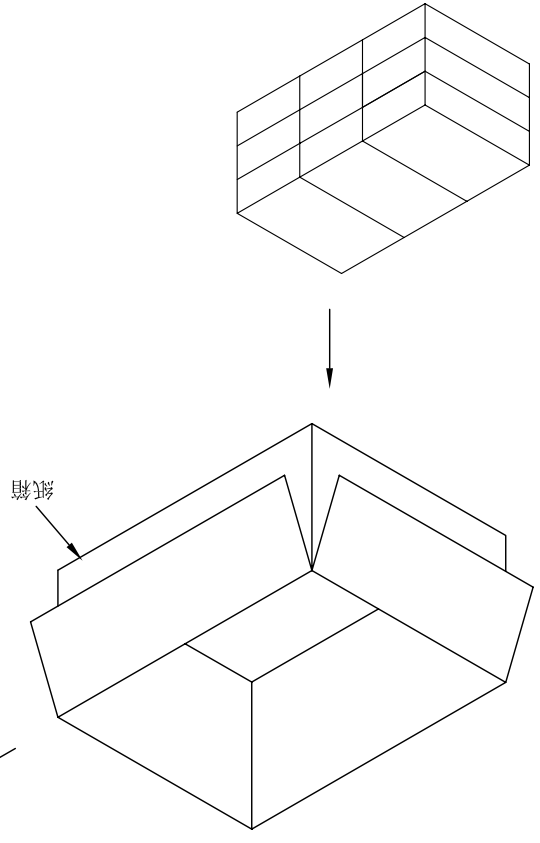
X.XXX	X.XXX
X.XX	X.XX
X.X	X.X
X.	X.
DIM TOL	DIM TOL
0.10	0.15
0.25	0.25
X.XX	X.XX
X.XXX	X.XXX

REV.:	
CHECK:	杨焯
DESIGN:	陈雪峰
DATE:	2017.06.03

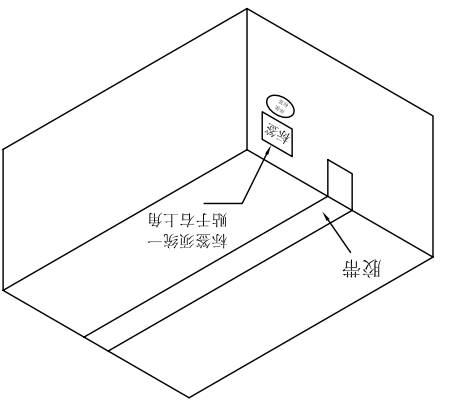
REV. A	SCALE 1:1	UNIT: mm	SHEET: 1 OF 1
DRAW NAME:		P/N NO:	
PH02.0 180° Water			
系列盒装包装规范			

CNJM Joint More Precision electronics Co., Ltd.

产品料号	PE袋规格	PE袋包装数量	纸箱包装数量
A2006W-2X02P	18*24cm	1000	9000
A2006W-2X03P	18*24cm	1000	9000
A2006W-2X04P	18*24cm	1000	9000
A2006W-2X05P	21*26cm	1000	9000
A2006W-2X06P	18*24cm	1000	9000
A2006W-2X07P	18*24cm	1000	9000
A2006W-2X08P	21*26cm	1000	9000
A2006W-2X09P	21*26cm	500	4500
A2006W-2X10P	21*26cm	500	4500
A2006W-2X11P	21*26cm	500	4500
A2006W-2X12P	21*26cm	500	4500
A2006W-2X13P	21*26cm	500	4500
A2006W-2X14P	21*26cm	500	4500
A2006W-2X15P	21*26cm	500	4500
A2006W-2X16P	21*26cm	400	3600
A2006W-2X17P	21*26cm	400	3600
A2006W-2X18P	21*26cm	400	3600
A2006W-2X19P	21*26cm	200	1800
A2006W-2X20P	21*26cm	200	1800



- 注意:
- 将产品轻轻放入PE袋并在PE袋底部和口部各放一包干燥剂, 不能将产品端子或PIN针弄变形, 最后将PE袋密封好后在PE袋外贴1PCS产品标签。
 - 将封好的PE袋装入小纸盒内并扣上小纸盒盖子, 每个小纸盒内只放一袋产品。(小纸盒外右上角需贴1 PCS产品标示)
 - 将装好产品的小纸盒平放入纸箱内, 每层平放3盒, 每箱放3层, 共计9盒, 封好纸箱并在侧面右上角贴1PCS出货标签。
 - 每PE袋放入产品的数量及整箱的数量, 不能多放或少放。PE袋规格: 详见包装列表(PE袋规格为无孔)
小纸盒规格: 25*15*7CM
纸箱规格: 18.5*10.5*11英寸



REV.:	ECON NO.:	DESCRIPTION	DATE	DESIGN
A				

X-ON Electronics

Largest Supplier of Electrical and Electronic Components

Click to view similar products for [Headers & Wire Housings](#) category:

Click to view products by [CNJM](#) manufacturer:

Other Similar products are found below :

[95000-104TRLF](#) [10135584-644402LF](#) [DF62W-EP2022PCA](#) [95000-106TRLF](#) [DF62W-2022SCA](#) [DF62W-EP2022PC](#) [2203348](#) [DF62W-2022SC](#) [1084018](#) [1029039](#) [1084017](#) [802-10-012-10-002000](#) [1112640](#) [1112639](#) [891-007-9SS-BST1T](#) [000-34000](#) [0008550134](#) [0009482033](#) [0009507031](#) [57102-F02-18ULF](#) [57102-S06-03LF](#) [57202-S52-04LF](#) [PCN6-15S-2.5E](#) [0039019024](#) [58102-G61-06LF](#) [582553-1](#) [0009485154](#) [0009508121](#) [0022285053](#) [0050291907](#) [018731A](#) [LY20-4P-DT1-P1E-BR](#) [02.125.8002.8](#) [60101931](#) [60598-1 \(Cut Strip\)](#) [M1625-3R/100](#) [61062-3](#) [61082-181009](#) [CSU011177004](#) [636-1427](#) [638009-1](#) [641938-9](#) [641991-4](#) [644168-1](#) [644827-2](#) [647662-1](#) [65039-019ELF](#) [65692-001LF](#) [65781-018](#) [65781-047](#)