

| | | |
|------|-----------|-------|
| REV. | ECON. NO. | APPD. |
| A | | |

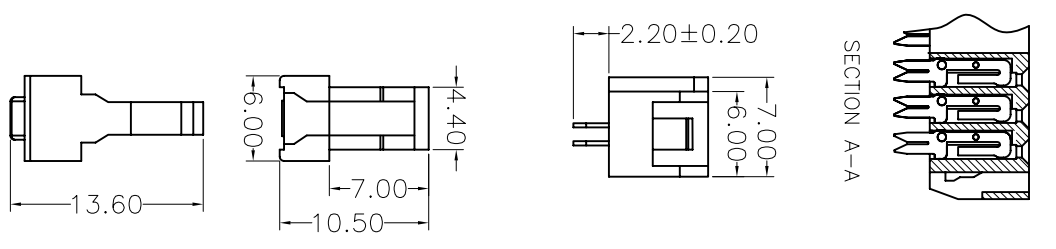
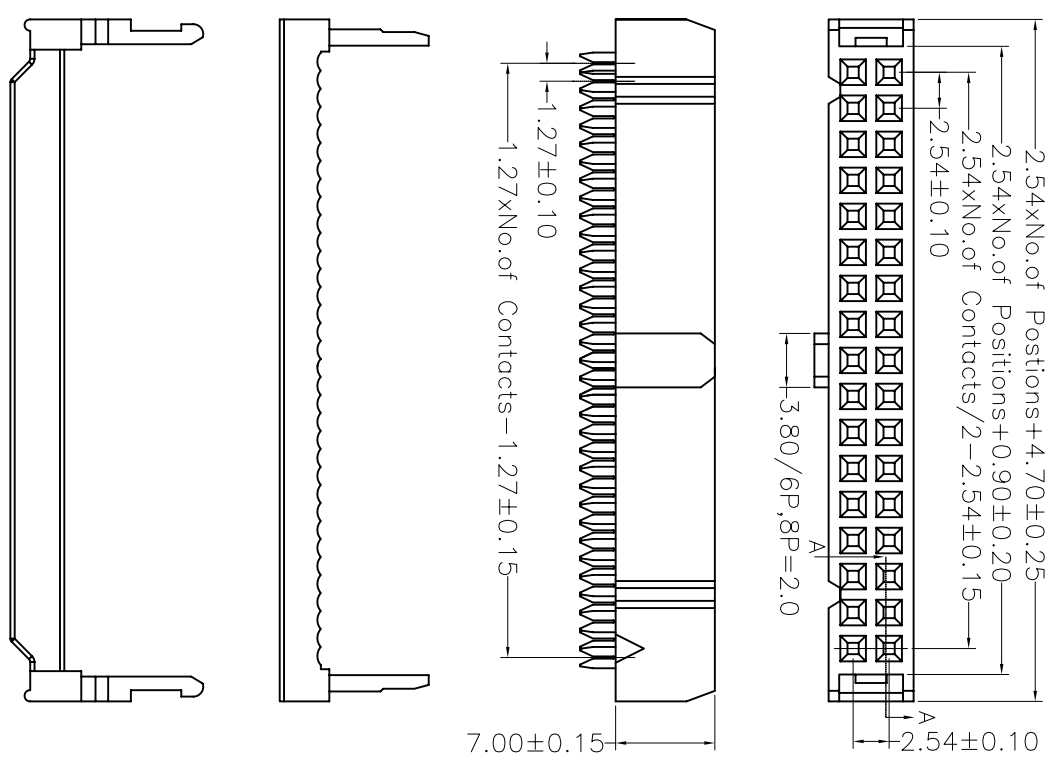
NOTES:
 Current Rating: 3AMP
 Contact Resistance: 20mΩ max
 Withstand Voltage: 1000V AC/DC
 Insulation Resistance: 1000MΩ Min
 Operation Temperature: -40°C to +105°C

Contact Material: Brass
 Contact plating: Au Over Ni
 Insulator Material: PBT+30%GF(UL94V-0)
 Contact plated: Gold Flash

Ordering Information

MTFC12-XX Y X

| No. of Pins | Marker |
|-------------|-----------|
| 06P 26P | W=With SR |
| 08P 30P | N=W/O SR |
| 10P 34P | |
| 12P 36P | |
| 14P 40P | |
| 16P 44P | |
| 18P 50P | |
| 20P 60P | |
| 22P 64P | |
| 24P | |



| X. | ± 0.30 | X.° | ± 5° | UNITS | mm |
|------|--------|-------|--------|--------|----|
| X | ± 0.20 | X.° | ± 2° | MATL | |
| XX | ± 0.10 | XX° | ± 1° | | |
| .XXX | ± 0.05 | .XXX° | ± 0.5° | FINISH | |
| | | | | QTY | |

| | |
|-------------------------|----------------------|
| NAME (INTENDED USE) | IDC SOCKET CONNECTOR |
| PART NO. (INTENDED USE) | |
| APPD. | SUNNY |
| CHKD. | USA |
| DR. | ZOE |
| | 2006-11-28 |

| | |
|---|-----|
| MINTRON CO., LTD. | |
| TITLE: 2.54IDC SOCKET+SR(ONE SIDE CONTACT) | |
| DWG NO.: MTFC12-XXXX | |
| SCALE | 1/1 |
| SHEET | 1/1 |
| REV. | A |

X-ON Electronics

Largest Supplier of Electrical and Electronic Components

Click to view similar products for [Headers & Wire Housings](#) category:

Click to view products by [MINTRON](#) manufacturer:

Other Similar products are found below :

[95000-104TRLF](#) [10135584-644402LF](#) [DF62W-EP2022PCA](#) [95000-106TRLF](#) [DF62W-2022SCA](#) [DF62W-EP2022PC](#) [2203348](#) [DF62W-2022SC](#) [1084018](#) [1029039](#) [1084017](#) [802-10-012-10-002000](#) [1112640](#) [1112639](#) [891-007-9SS-BST1T](#) [000-34000](#) [0008550134](#) [0009482033](#) [0009507031](#) [57102-F02-18ULF](#) [57102-S06-03LF](#) [57202-S52-04LF](#) [PCN6-15S-2.5E](#) [0039019024](#) [58102-G61-06LF](#) [582553-1](#) [0009485154](#) [0009508121](#) [0022285053](#) [0050291907](#) [018731A](#) [LY20-4P-DT1-P1E-BR](#) [02.125.8002.8](#) [60101931](#) [60598-1 \(Cut Strip\)](#) [M1625-3R/100](#) [61062-3](#) [61082-181009](#) [CSU011177004](#) [636-1427](#) [638009-1](#) [641938-9](#) [641991-4](#) [644168-1](#) [644827-2](#) [647662-1](#) [65039-019ELF](#) [65692-001LF](#) [65781-018](#) [65781-047](#)