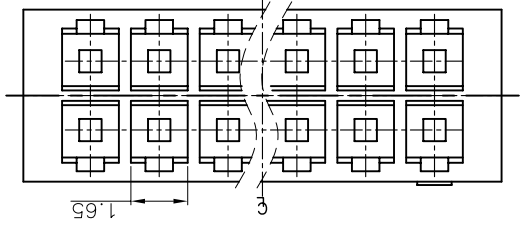
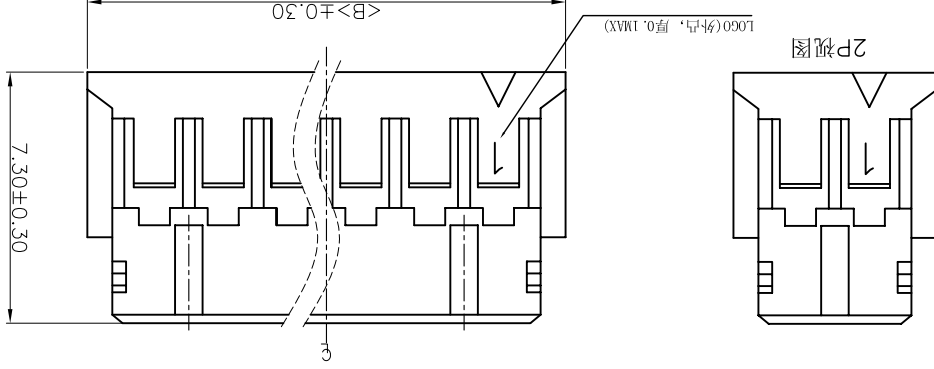
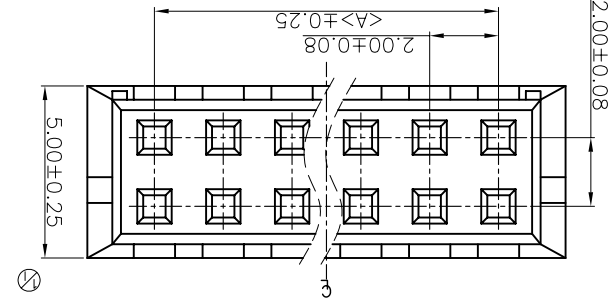
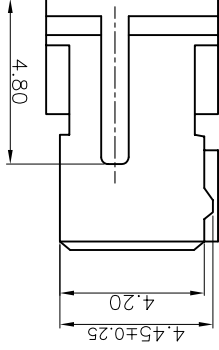
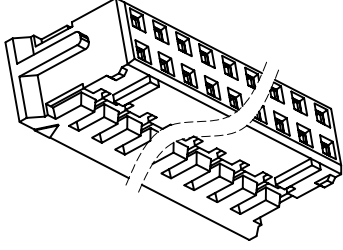


| | | | | |
|------|---------|-------------|----------|--------|
| REV. | ECN NO. | DESCRIPTION | DATE | DESIGN |
| A | | 委重料号 | 16/11/22 | 苏亮 |

NOTES:

CURRENT RATING:3A AC/DC.
 VOLTAGE RATING:250V AC/DC
 TEMPERATURE RANGE:-40°C~+105°C.
 CONTACT RESISTANCE:10MΩ Max.
 INSULATION RESISTANCE:1000MΩ Min.
 WITHSTANDING VOLTAGE: 800V AC/MINUTE.
 WATRLAL:PA66.UL94V-0.

| PART NO. | | Dimensions | |
|--------------|-------|------------|-------|
| A | B | A | B |
| A2006H-2X02P | 2.00 | 6.00 | 6.00 |
| A2006H-2X03P | 4.00 | 8.00 | 8.00 |
| A2006H-2X04P | 6.00 | 10.00 | 10.00 |
| A2006H-2X05P | 8.00 | 12.00 | 12.00 |
| A2006H-2X06P | 10.00 | 14.00 | 14.00 |
| A2006H-2X07P | 12.00 | 16.00 | 16.00 |
| A2006H-2X08P | 14.00 | 18.00 | 18.00 |
| A2006H-2X09P | 16.00 | 20.00 | 20.00 |
| A2006H-2X10P | 18.00 | 22.00 | 22.00 |
| A2006H-2X11P | 20.00 | 24.00 | 24.00 |
| A2006H-2X12P | 22.00 | 26.00 | 26.00 |
| A2006H-2X13P | 24.00 | 28.00 | 28.00 |
| A2006H-2X14P | 26.00 | 30.00 | 30.00 |
| A2006H-2X15P | 28.00 | 32.00 | 32.00 |
| A2006H-2X16P | 30.00 | 34.00 | 34.00 |
| A2006H-2X17P | 32.00 | 36.00 | 36.00 |
| A2006H-2X18P | 34.00 | 38.00 | 38.00 |
| A2006H-2X19P | 36.00 | 40.00 | 40.00 |
| A2006H-2X20P | 38.00 | 42.00 | 42.00 |



CNJM Joint More Precision electronics Co.,Ltd.

| | | | |
|-----------|-------|-------------|---------------------|
| DRAW NO.: | DATE: | P/N NO.: | DRAW NAME: |
| DESIGN: | 陈雪峰 | A2006H-2XNP | 2.0mm pitch housing |
| CHECK: | 杨焯 | REV. A/1 | SCALE 1:1 |
| REVIEW: | | UNIT: mm | SHEET: 1 OF 1 |

| | | | | |
|-----|-----|------|---|------|
| DIM | TOL | X.XX | / | X.XX |
| DIM | TOL | X.X | / | X.X |
| DIM | TOL | 0.25 | / | X.X |
| DIM | TOL | 0.15 | / | X.XX |
| DIM | TOL | 0.10 | / | X.XX |

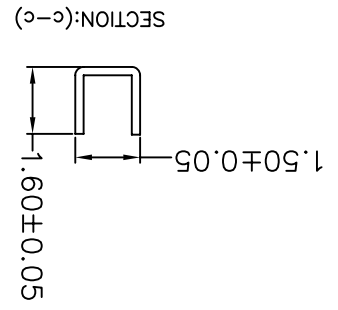
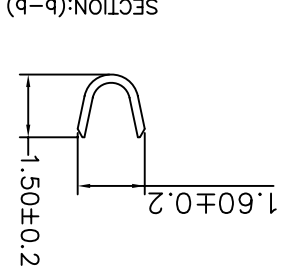
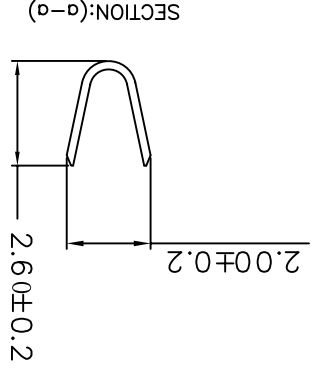
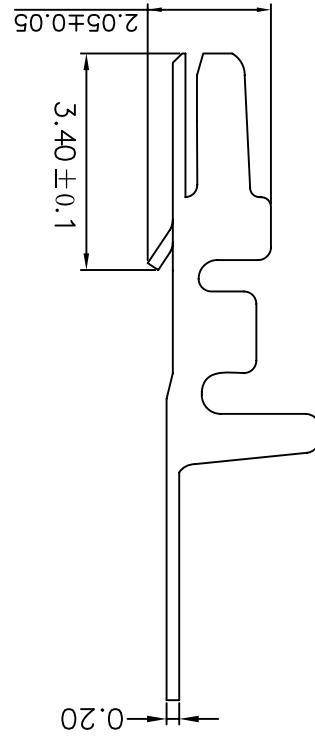
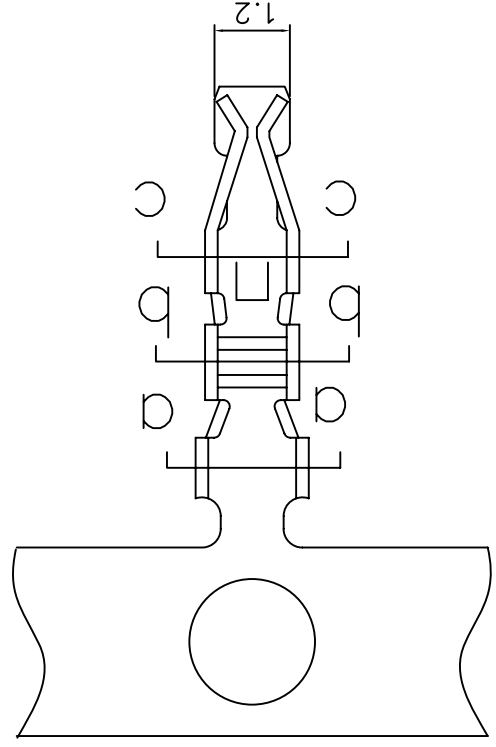
| | | | | | |
|-----------|------------|-----------------|-----------------|------------|----------|
| Part NO. | Wire range | Insulation O.D. | Materials | Finish | Qty/reel |
| A2006-TP | AWG#22-28 | 1.5mm(max) | Phosphor Bronze | Tin-plated | 1000PCS |
| A2006-TPE | AWG#22-28 | 1.5mm(max) | Phosphor Bronze | Tin-plated | 1000PCS |

| | | | |
|--------|------|--------|-----|
| DIM | TOL | DIM | TOL |
| X.XX | / | X.XX | / |
| X.XX | 0.15 | X.XX | / |
| X.X | 0.25 | X.X | / |
| X. | / | X. | / |
| DIM | TOL | DIM | TOL |
| X.XXX° | / | X.XXX° | / |

| | | | |
|----------|------------|-----------|----------------------|
| REV. NO. | DATE | P/N NO. | DRAW NAME: |
| A | 2017.06.08 | A2006-XXX | 2.0mm pitch Terminal |
| REVIEW: | CHECK: | DESIGN: | REVISION: |
| | 杨焯 | 陈雪峰 | |

| | | | |
|----------|-----------|----------|---------------|
| REV. A/1 | SCALE 1:1 | UNIT: mm | SHEET: 1 OF 1 |
|----------|-----------|----------|---------------|

CNJM Joint More Precision electronics Co.,Ltd.



| | | | |
|--------|---------|-------------|----------|
| REV. A | ECN NO. | DESCRIPTION | DATE |
| | | 變遷料号 | 16/11/22 |
| DESIGN | DATE | DESIGN | DATE |
| | | | |

| | | | |
|-----|-----|--------|---|
| DIM | TDL | X | / |
| DIM | TDL | X* | / |
| DIM | TDL | X.X* | / |
| DIM | TDL | X.XX* | / |
| DIM | TDL | X.XXX* | / |
| DIM | TDL | 0.10 | / |
| DIM | TDL | 0.15 | / |
| DIM | TDL | 0.25 | / |
| DIM | TDL | X.X* | / |
| DIM | TDL | X.XX* | / |
| DIM | TDL | X.XXX* | / |

| | | | |
|----------|-----------|----------|---------------|
| REV. A/1 | SCALE 1:1 | UNIT: mm | SHEET: 1 OF 1 |
|----------|-----------|----------|---------------|

| | | | |
|-------------|------------------|-----------|---------------|
| REV. A/1 | SCALE 1:1 | UNIT: mm | SHEET: 1 OF 1 |
| DESIGN: 陈雪峰 | DATE: 2017.06.03 | CHECK: 杨烨 | REVIEW: |

| | | |
|----------|---------|------------|
| DRAW NO. | P/N NO. | DRAW NAME: |
|----------|---------|------------|

| | | |
|----------|---------|------------|
| DRAW NO. | P/N NO. | DRAW NAME: |
|----------|---------|------------|

| | | |
|----------|---------|------------|
| DRAW NO. | P/N NO. | DRAW NAME: |
|----------|---------|------------|

| | | |
|----------|---------|------------|
| DRAW NO. | P/N NO. | DRAW NAME: |
|----------|---------|------------|

| | | |
|----------|---------|------------|
| DRAW NO. | P/N NO. | DRAW NAME: |
|----------|---------|------------|

| | | |
|----------|---------|------------|
| DRAW NO. | P/N NO. | DRAW NAME: |
|----------|---------|------------|

| | | |
|----------|---------|------------|
| DRAW NO. | P/N NO. | DRAW NAME: |
|----------|---------|------------|

| | | |
|----------|---------|------------|
| DRAW NO. | P/N NO. | DRAW NAME: |
|----------|---------|------------|

| | | |
|----------|---------|------------|
| DRAW NO. | P/N NO. | DRAW NAME: |
|----------|---------|------------|

| | | |
|----------|---------|------------|
| DRAW NO. | P/N NO. | DRAW NAME: |
|----------|---------|------------|

| | | |
|----------|---------|------------|
| DRAW NO. | P/N NO. | DRAW NAME: |
|----------|---------|------------|

| | | |
|----------|---------|------------|
| DRAW NO. | P/N NO. | DRAW NAME: |
|----------|---------|------------|

| | | |
|----------|---------|------------|
| DRAW NO. | P/N NO. | DRAW NAME: |
|----------|---------|------------|

| | | |
|----------|---------|------------|
| DRAW NO. | P/N NO. | DRAW NAME: |
|----------|---------|------------|

| | | |
|----------|---------|------------|
| DRAW NO. | P/N NO. | DRAW NAME: |
|----------|---------|------------|

| | | |
|----------|---------|------------|
| DRAW NO. | P/N NO. | DRAW NAME: |
|----------|---------|------------|

| | | | |
|-------------|------------------|------------|---------------|
| REV. A/1 | SCALE 1:1 | UNIT: mm | SHEET: 1 OF 1 |
| DESIGN: 陈雪峰 | DATE: 2017.06.03 | CHECK: 杨烨 | REVIEW: |
| DRAW NO. | P/N NO. | DRAW NAME: | |

| | | |
|----------|---------|------------|
| DRAW NO. | P/N NO. | DRAW NAME: |
|----------|---------|------------|

| | | |
|----------|---------|------------|
| DRAW NO. | P/N NO. | DRAW NAME: |
|----------|---------|------------|

| | | |
|----------|---------|------------|
| DRAW NO. | P/N NO. | DRAW NAME: |
|----------|---------|------------|

| | | |
|----------|---------|------------|
| DRAW NO. | P/N NO. | DRAW NAME: |
|----------|---------|------------|

| | | |
|----------|---------|------------|
| DRAW NO. | P/N NO. | DRAW NAME: |
|----------|---------|------------|

| | | |
|----------|---------|------------|
| DRAW NO. | P/N NO. | DRAW NAME: |
|----------|---------|------------|

| | | |
|----------|---------|------------|
| DRAW NO. | P/N NO. | DRAW NAME: |
|----------|---------|------------|

| | | |
|----------|---------|------------|
| DRAW NO. | P/N NO. | DRAW NAME: |
|----------|---------|------------|

| | | |
|----------|---------|------------|
| DRAW NO. | P/N NO. | DRAW NAME: |
|----------|---------|------------|

| | | |
|----------|---------|------------|
| DRAW NO. | P/N NO. | DRAW NAME: |
|----------|---------|------------|

| | | |
|----------|---------|------------|
| DRAW NO. | P/N NO. | DRAW NAME: |
|----------|---------|------------|

| | | |
|----------|---------|------------|
| DRAW NO. | P/N NO. | DRAW NAME: |
|----------|---------|------------|

| | | |
|----------|---------|------------|
| DRAW NO. | P/N NO. | DRAW NAME: |
|----------|---------|------------|

| | | |
|----------|---------|------------|
| DRAW NO. | P/N NO. | DRAW NAME: |
|----------|---------|------------|

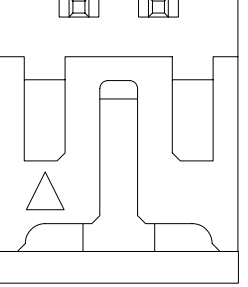
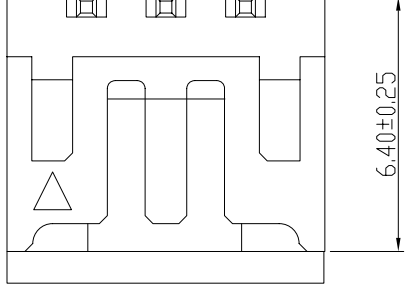
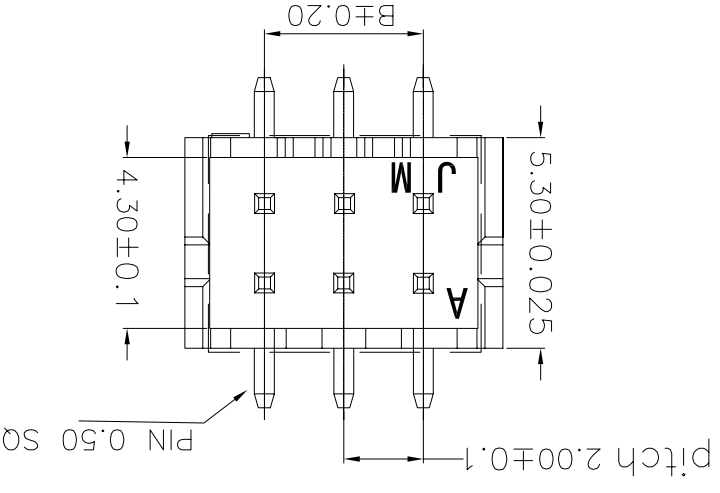
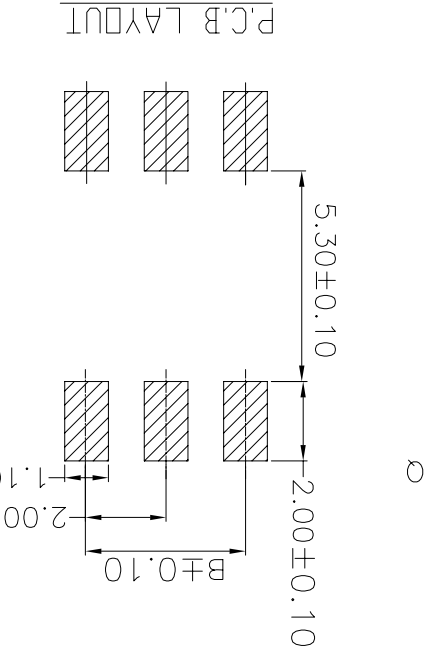
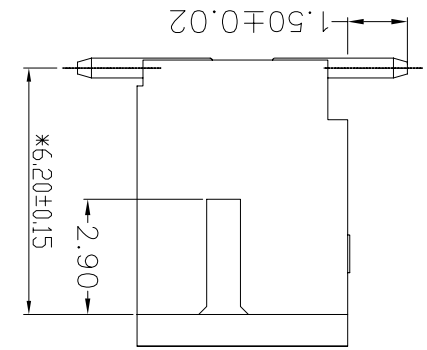
| | | |
|----------|---------|------------|
| DRAW NO. | P/N NO. | DRAW NAME: |
|----------|---------|------------|

| | | |
|----------|---------|------------|
| DRAW NO. | P/N NO. | DRAW NAME: |
|----------|---------|------------|

| PART NO. | | Dimensions | |
|-----------------|-------|------------|-------|
| A | B | A | B |
| A2006WV-S-2X02P | 6.00 | 2.00 | 4.00 |
| A2006WV-S-2X03P | 8.00 | 10.00 | 6.00 |
| A2006WV-S-2X04P | 10.00 | 12.00 | 8.00 |
| A2006WV-S-2X05P | 12.00 | 14.00 | 10.00 |
| A2006WV-S-2X06P | 14.00 | 16.00 | 12.00 |
| A2006WV-S-2X07P | 16.00 | 18.00 | 14.00 |
| A2006WV-S-2X08P | 18.00 | 20.00 | 16.00 |
| A2006WV-S-2X09P | 20.00 | 22.00 | 18.00 |
| A2006WV-S-2X10P | 22.00 | 24.00 | 20.00 |
| A2006WV-S-2X11P | 24.00 | 26.00 | 22.00 |
| A2006WV-S-2X12P | 26.00 | 28.00 | 24.00 |
| A2006WV-S-2X13P | 28.00 | 30.00 | 26.00 |
| A2006WV-S-2X14P | 30.00 | 32.00 | 28.00 |
| A2006WV-S-2X15P | 32.00 | 34.00 | 30.00 |
| A2006WV-S-2X16P | 34.00 | 36.00 | 32.00 |
| A2006WV-S-2X17P | 36.00 | 38.00 | 34.00 |
| A2006WV-S-2X18P | 38.00 | 40.00 | 36.00 |
| A2006WV-S-2X19P | 40.00 | 42.00 | 38.00 |
| A2006WV-S-2X20P | 42.00 | | |

| | | | | |
|--------|---------|-------------|----------|--------|
| REV. A | ECN NO. | DESCRIPTION | DATE | DESIGN |
| A | | 变更料号 | 16/11/22 | 苏亮 |

Specifications:
 Current rating: 3A AC/DC.
 Voltage rating: 250V AC/DC
 Temperature range: -40°C ~ +105°C.
 Contact resistance: 10MΩ Max.
 Insulation resistance: 100MΩ Min.
 Withstanding voltage: 800V AC/minute.
 Material: part 94V0.



2P视图

| | | | | |
|------|------|-------|------|---|
| DIM | TOL | / | X. | / |
| DIM | TOL | / | X. | / |
| X.XX | 0.15 | X.XX* | X.X* | / |
| X.XX | 0.10 | X.XX* | X.X* | / |

| | | | | |
|----------|------|--------|-------|--------|
| REV. NO. | DATE | DESIGN | CHECK | REVIEW |
| | | 陈雪峰 | 杨桦 | |

| | | | |
|----------|-----------|----------|---------------|
| REV. A/1 | SCALE 1:1 | UNIT: mm | SHEET: 1 OF 1 |
|----------|-----------|----------|---------------|

| | | | |
|----------|-----------|----------|---------------|
| REV. A/1 | SCALE 1:1 | UNIT: mm | SHEET: 1 OF 1 |
|----------|-----------|----------|---------------|

| | | | |
|----------|-----------|----------|---------------|
| REV. A/1 | SCALE 1:1 | UNIT: mm | SHEET: 1 OF 1 |
|----------|-----------|----------|---------------|

| | | | |
|----------|-----------|----------|---------------|
| REV. A/1 | SCALE 1:1 | UNIT: mm | SHEET: 1 OF 1 |
|----------|-----------|----------|---------------|

| | | | |
|----------|-----------|----------|---------------|
| REV. A/1 | SCALE 1:1 | UNIT: mm | SHEET: 1 OF 1 |
|----------|-----------|----------|---------------|

| | | | |
|----------|-----------|----------|---------------|
| REV. A/1 | SCALE 1:1 | UNIT: mm | SHEET: 1 OF 1 |
|----------|-----------|----------|---------------|

| | | | |
|----------|-----------|----------|---------------|
| REV. A/1 | SCALE 1:1 | UNIT: mm | SHEET: 1 OF 1 |
|----------|-----------|----------|---------------|

| | | | |
|----------|-----------|----------|---------------|
| REV. A/1 | SCALE 1:1 | UNIT: mm | SHEET: 1 OF 1 |
|----------|-----------|----------|---------------|

| | | | |
|----------|-----------|----------|---------------|
| REV. A/1 | SCALE 1:1 | UNIT: mm | SHEET: 1 OF 1 |
|----------|-----------|----------|---------------|

| | | | |
|----------|-----------|----------|---------------|
| REV. A/1 | SCALE 1:1 | UNIT: mm | SHEET: 1 OF 1 |
|----------|-----------|----------|---------------|

| | | | |
|----------|-----------|----------|---------------|
| REV. A/1 | SCALE 1:1 | UNIT: mm | SHEET: 1 OF 1 |
|----------|-----------|----------|---------------|

| | | | |
|----------|-----------|----------|---------------|
| REV. A/1 | SCALE 1:1 | UNIT: mm | SHEET: 1 OF 1 |
|----------|-----------|----------|---------------|

| | | | |
|----------|-----------|----------|---------------|
| REV. A/1 | SCALE 1:1 | UNIT: mm | SHEET: 1 OF 1 |
|----------|-----------|----------|---------------|

| | | | |
|----------|-----------|----------|---------------|
| REV. A/1 | SCALE 1:1 | UNIT: mm | SHEET: 1 OF 1 |
|----------|-----------|----------|---------------|

| | | | |
|----------|-----------|----------|---------------|
| REV. A/1 | SCALE 1:1 | UNIT: mm | SHEET: 1 OF 1 |
|----------|-----------|----------|---------------|

| | | | |
|----------|-----------|----------|---------------|
| REV. A/1 | SCALE 1:1 | UNIT: mm | SHEET: 1 OF 1 |
|----------|-----------|----------|---------------|

| | | | |
|----------|-----------|----------|---------------|
| REV. A/1 | SCALE 1:1 | UNIT: mm | SHEET: 1 OF 1 |
|----------|-----------|----------|---------------|

CNJM Joint More Precision electronics Co., Ltd.

| | | | |
|----------|-----------|----------|---------------|
| REV. A/1 | SCALE 1:1 | UNIT: mm | SHEET: 1 OF 1 |
|----------|-----------|----------|---------------|

| | | | |
|----------|-----------|----------|---------------|
| REV. A/1 | SCALE 1:1 | UNIT: mm | SHEET: 1 OF 1 |
|----------|-----------|----------|---------------|

| | | | |
|----------|-----------|----------|---------------|
| REV. A/1 | SCALE 1:1 | UNIT: mm | SHEET: 1 OF 1 |
|----------|-----------|----------|---------------|

| | | | |
|----------|-----------|----------|---------------|
| REV. A/1 | SCALE 1:1 | UNIT: mm | SHEET: 1 OF 1 |
|----------|-----------|----------|---------------|

| | | | |
|----------|-----------|----------|---------------|
| REV. A/1 | SCALE 1:1 | UNIT: mm | SHEET: 1 OF 1 |
|----------|-----------|----------|---------------|

| | | | |
|----------|-----------|----------|---------------|
| REV. A/1 | SCALE 1:1 | UNIT: mm | SHEET: 1 OF 1 |
|----------|-----------|----------|---------------|

| | | | |
|----------|-----------|----------|---------------|
| REV. A/1 | SCALE 1:1 | UNIT: mm | SHEET: 1 OF 1 |
|----------|-----------|----------|---------------|

| | | | |
|----------|-----------|----------|---------------|
| REV. A/1 | SCALE 1:1 | UNIT: mm | SHEET: 1 OF 1 |
|----------|-----------|----------|---------------|

| | | | |
|----------|-----------|----------|---------------|
| REV. A/1 | SCALE 1:1 | UNIT: mm | SHEET: 1 OF 1 |
|----------|-----------|----------|---------------|

| | | | |
|----------|-----------|----------|---------------|
| REV. A/1 | SCALE 1:1 | UNIT: mm | SHEET: 1 OF 1 |
|----------|-----------|----------|---------------|

| | | | |
|----------|-----------|----------|---------------|
| REV. A/1 | SCALE 1:1 | UNIT: mm | SHEET: 1 OF 1 |
|----------|-----------|----------|---------------|

| | | | |
|----------|-----------|----------|---------------|
| REV. A/1 | SCALE 1:1 | UNIT: mm | SHEET: 1 OF 1 |
|----------|-----------|----------|---------------|

| | | | |
|----------|-----------|----------|---------------|
| REV. A/1 | SCALE 1:1 | UNIT: mm | SHEET: 1 OF 1 |
|----------|-----------|----------|---------------|

| | | | |
|----------|-----------|----------|---------------|
| REV. A/1 | SCALE 1:1 | UNIT: mm | SHEET: 1 OF 1 |
|----------|-----------|----------|---------------|

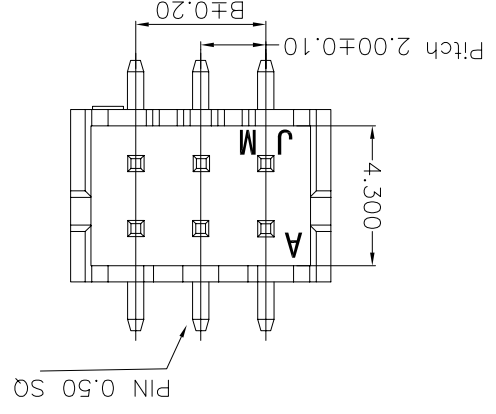
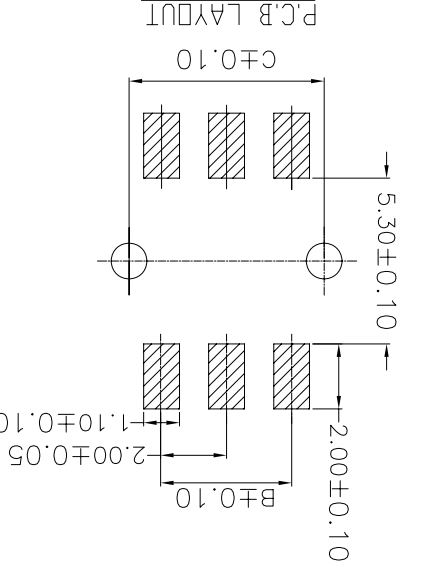
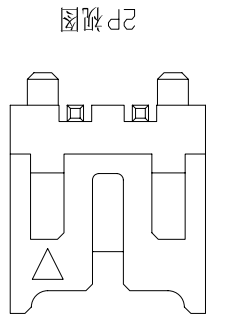
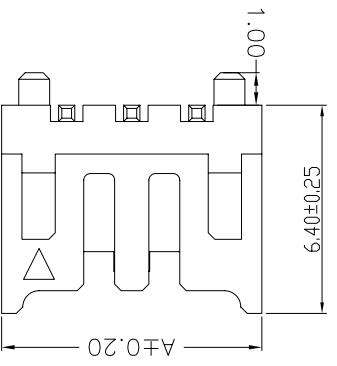
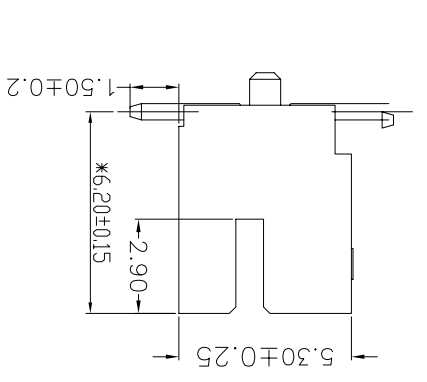
| | | | |
|----------|-----------|----------|---------------|
| REV. A/1 | SCALE 1:1 | UNIT: mm | SHEET: 1 OF 1 |
|----------|-----------|----------|---------------|

| | | | |
|----------|-----------|----------|---------------|
| REV. A/1 | SCALE 1:1 | UNIT: mm | SHEET: 1 OF 1 |
|----------|-----------|----------|---------------|

| PART NO. | Dimensions | | |
|-------------------|------------|-------|-------|
| | A | B | C |
| A2006WV-S-F-2X02P | 6.00 | 2.00 | 4.00 |
| A2006WV-S-F-2X03P | 8.00 | 4.00 | 6.00 |
| A2006WV-S-F-2X04P | 10.00 | 6.00 | 8.00 |
| A2006WV-S-F-2X05P | 12.00 | 8.00 | 10.00 |
| A2006WV-S-F-2X06P | 14.00 | 10.00 | 12.00 |
| A2006WV-S-F-2X07P | 16.00 | 12.00 | 14.00 |
| A2006WV-S-F-2X08P | 18.00 | 14.00 | 16.00 |
| A2006WV-S-F-2X09P | 20.00 | 16.00 | 18.00 |
| A2006WV-S-F-2X10P | 22.00 | 18.00 | 20.00 |
| A2006WV-S-F-2X11P | 24.00 | 20.00 | 22.00 |
| A2006WV-S-F-2X12P | 26.00 | 22.00 | 24.00 |
| A2006WV-S-F-2X13P | 28.00 | 24.00 | 26.00 |
| A2006WV-S-F-2X14P | 30.00 | 26.00 | 28.00 |
| A2006WV-S-F-2X15P | 32.00 | 28.00 | 30.00 |
| A2006WV-S-F-2X16P | 34.00 | 30.00 | 32.00 |
| A2006WV-S-F-2X17P | 36.00 | 32.00 | 34.00 |
| A2006WV-S-F-2X18P | 38.00 | 34.00 | 36.00 |
| A2006WV-S-F-2X19P | 40.00 | 36.00 | 38.00 |
| A2006WV-S-F-2X20P | 42.00 | 38.00 | 40.00 |

| | | | | |
|--------|---------|-------------|----------|--------|
| REV. A | ECN NO. | DESCRIPTION | DATE | DESIGN |
| | | 变更料号 | 16/11/22 | 苏亮 |

Specifications:
 Current rating: 3A AC/DC.
 Voltage rating: 250V AC/DC.
 Temperature range: -40°C ~ +105°C.
 Contact resistance: 10mΩ Max.
 Insulation resistance: 1000MΩ Min.
 Withstanding voltage: 800V AC/minute.
 Material: part 94V0.



X-ON Electronics

Largest Supplier of Electrical and Electronic Components

Click to view similar products for [Headers & Wire Housings](#) category:

Click to view products by [CNJM](#) manufacturer:

Other Similar products are found below :

[95000-104TRLF](#) [10135584-644402LF](#) [DF62W-EP2022PCA](#) [95000-106TRLF](#) [DF62W-2022SCA](#) [DF62W-EP2022PC](#) [2203348](#) [DF62W-2022SC](#) [1084018](#) [1029039](#) [1084017](#) [802-10-012-10-002000](#) [1112640](#) [1112639](#) [891-007-9SS-BST1T](#) [000-34000](#) [0008550134](#) [0009482033](#) [0009507031](#) [57102-F02-18ULF](#) [57102-S06-03LF](#) [57202-S52-04LF](#) [PCN6-15S-2.5E](#) [0039019024](#) [58102-G61-06LF](#) [582553-1](#) [0009485154](#) [0009508121](#) [0022285053](#) [0050291907](#) [018731A](#) [LY20-4P-DT1-P1E-BR](#) [02.125.8002.8](#) [60101931](#) [60598-1 \(Cut Strip\)](#) [M1625-3R/100](#) [61062-3](#) [61082-181009](#) [CSU011177004](#) [636-1427](#) [638009-1](#) [641938-9](#) [641991-4](#) [644168-1](#) [644827-2](#) [647662-1](#) [65039-019ELF](#) [65692-001LF](#) [65781-018](#) [65781-047](#)