

产品规格书

批准	审核	校核	编制
申东春	纪春华	朴致均	郑羿
2018.03.02	2018.03.02	2018.03.02	2018.03.02

规格书更改履历:

序号	更改内容	履历号	更改时间	责任人
1	新规制定	000	2018.03.02	郑羿

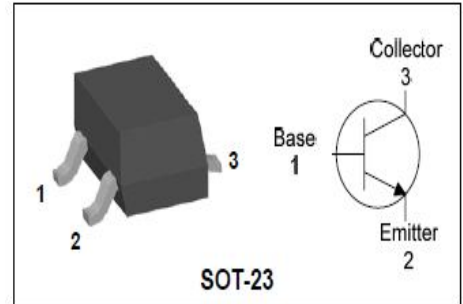
Descriptions

- High current application
- Switching application

PIN Connection

Features

- Suitable for AF-Driver stage and low power Output stage
- Complementary pair with KBC807



Ordering Information

Type NO.	Marking	Package Code
KBC817	NA□ □ ① ② ③	SOT-23

① Device Code ② HFE Rank ③ Year & Week Code • Dalian

Absolute maximum ratings

T_a=25°C

Characteristic	Symbol	Ratings	Unit
Collector-Base voltage	V _{CB0}	50	V
Collector-Emitter voltage	V _{CEO}	45	V
Emitter-Base voltage	V _{EBO}	5	V
Collector current	I _C	500	mA
Collector dissipation	P _C	200	mW
Junction temperature	T _j	150	°C
Storage temperature	T _{stg}	-55~150	°C

Electrical Characteristics

T_a=25°C

Characteristic	Symbol	Test Condition	Min.	Typ.	Max.	Unit
Collector-Emitter breakdown voltage	BV _{CEO}	I _C =1mA, I _E =0	45	-	-	V
Base-Emitter turn on voltage	V _{BE(ON)}	V _{CE} =1V, I _C =300mA	-	-	1.2	V
Collector-Emitter saturation voltage	V _{CE(sat)}	I _C =500mA, I _B =50mA	-	-	700	mV
Collector cut-off current	I _{CB0}	V _{CB} =25V, I _E =0	-	-	100	nA
DC current gain	h _{FE} [*]	V _{CE} =1V, I _C =100mA	100	-	630	-
Transition frequency	f _T	V _{CB} =5V, I _C =10mA	100	-	-	MHz
Collector output capacitance	C _{ob}	V _{CB} =10V, I _E =0, f=1MHz	-	16	-	pF

HFE Grade:

Rank	16(A)	25(B)	40(C)
Range	100~250	160~400	250~630
Mark Name	NAA.	NAB.	NAC.

Electrical Characteristic Curves

Fig. 1 $P_C - T_a$

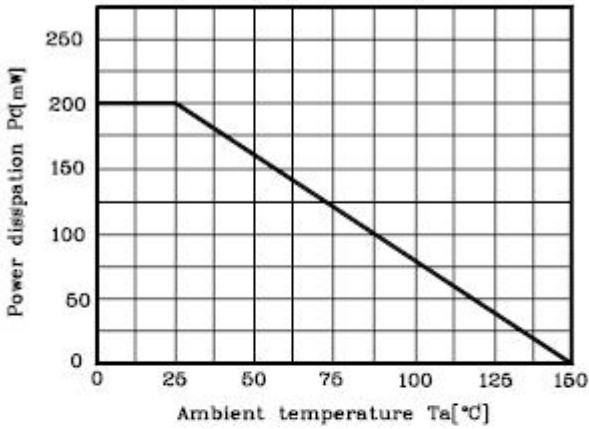


Fig. 2 $I_C - V_{BE}$

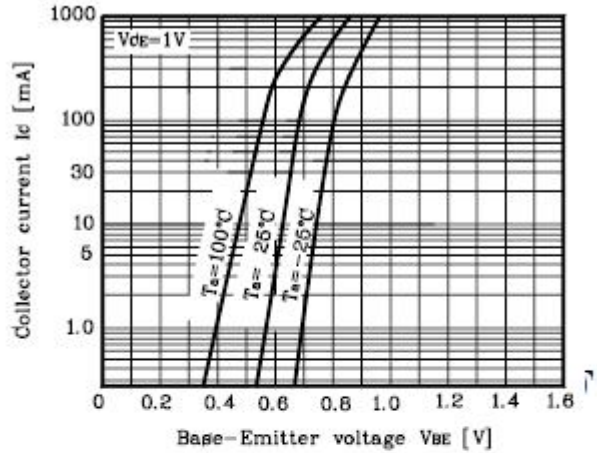


Fig. 3 $I_C - V_{CE}$

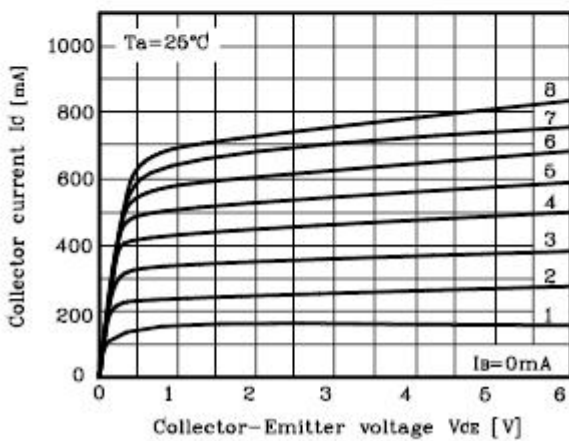


Fig. 4 $V_{CE(sat)} - I_C$

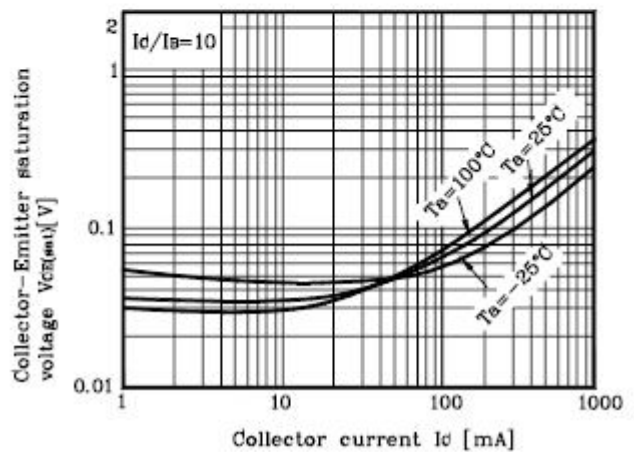
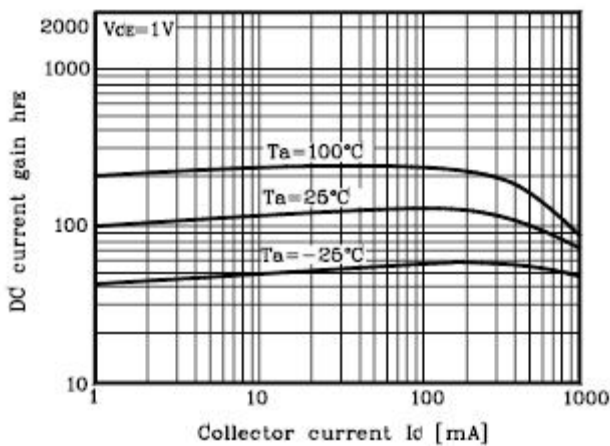
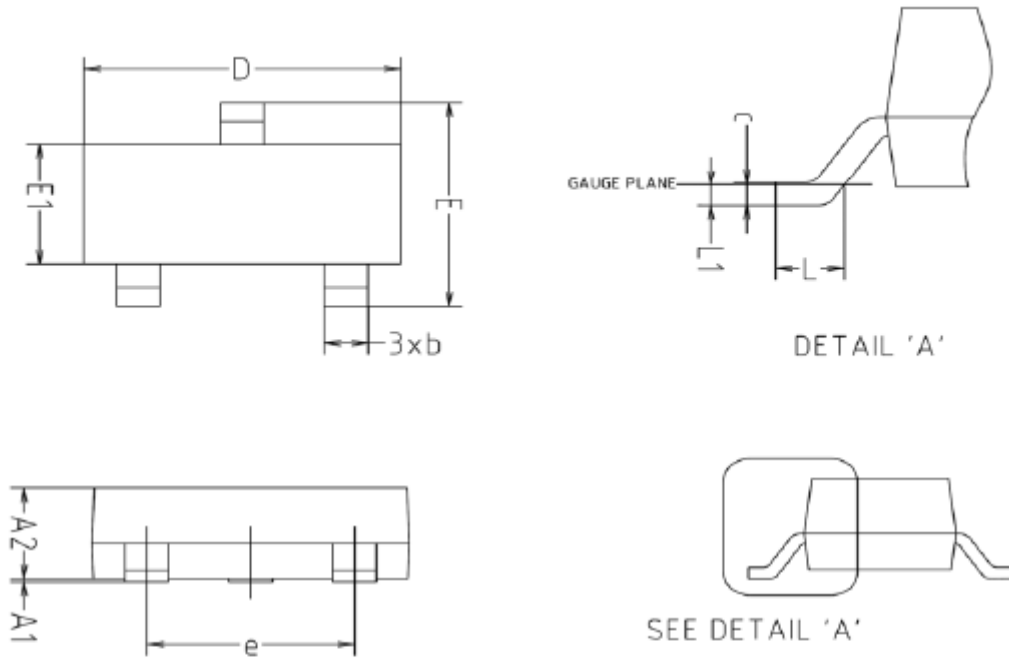


Fig. 5 $h_{FE} - I_C$

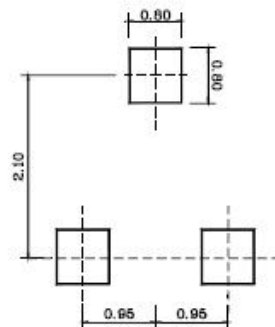


Outline Dimension



SYMBOL	MILLIMETERS			NOTE
	MINIMUM	NOMINAL	MAXIMUM	
A1	0.00	-	0.10	
A2	0.82	-	1.02	
b	0.39	0.42	0.45	
c	0.09	0.12	0.15	
D	2.80	2.90	3.00	
E	2.20	2.40	2.60	
E1	1.20	1.30	1.40	
e	1.90BSC			
l	0.20	-	-	
L1	0.12BSC			

※Recommend PCB solder land [Unit: mm]



The AUK Dalian Corp. products are intended for the use as components in general electronic equipment (Office and communication equipment, measuring equipment, home appliance, etc.).

Please make sure that you consult with us before you use these AUK Dalian Corp. products in equipments which require high quality and / or reliability, and in equipments which could have major impact to the welfare of human life(atomic energy control, airplane, spaceship, transportation, combustion control, all types of safety device, etc.). AUK Dalian Corp. cannot accept liability to any damage which may occur in case these AUK Dalian Corp. products were used in the mentioned equipments without prior consultation with AUK Dalian Corp..

Specifications mentioned in this publication are subject to change without notice.

X-ON Electronics

Largest Supplier of Electrical and Electronic Components

Click to view similar products for [Bipolar Transistors - BJT category](#):

Click to view products by [Kodenshi manufacturer](#):

Other Similar products are found below :

[619691C](#) [MCH4017-TL-H](#) [MJ15024/WS](#) [MJ15025/WS](#) [BC546/116](#) [BC556/FSC](#) [BC557/116](#) [BSW67A](#) [HN7G01FU-A\(T5L,F,T](#)
[NJVMJD148T4G](#) [NSVMMBT6520LT1G](#) [NTE187A](#) [NTE195A](#) [NTE2302](#) [NTE2330](#) [NTE2353](#) [NTE316](#) [IMX9T110](#) [NTE63](#) [NTE65](#)
[C4460](#) [SBC846BLT3G](#) [2SA1419T-TD-H](#) [2SA1721-O\(TE85L,F\)](#) [2SA1727TLP](#) [2SA2126-E](#) [2SB1202T-TL-E](#) [2SB1204S-TL-E](#) [2SC5488A-](#)
[TL-H](#) [2SD2150T100R](#) [SP000011176](#) [FMC5AT148](#) [2N2369ADCSM](#) [2SB1202S-TL-E](#) [2SC2412KT146S](#) [2SC4618TLN](#) [2SC5490A-TL-H](#)
[2SD1816S-TL-E](#) [2SD1816T-TL-E](#) [CMXT2207 TR](#) [CPH6501-TL-E](#) [MCH4021-TL-E](#) [BC557B](#) [TTC012\(Q\)](#) [BULD128DT4](#) [JANTX2N3810](#)
[Jantx2N5416](#) [US6T6TR](#) [KSF350](#) [068071B](#)