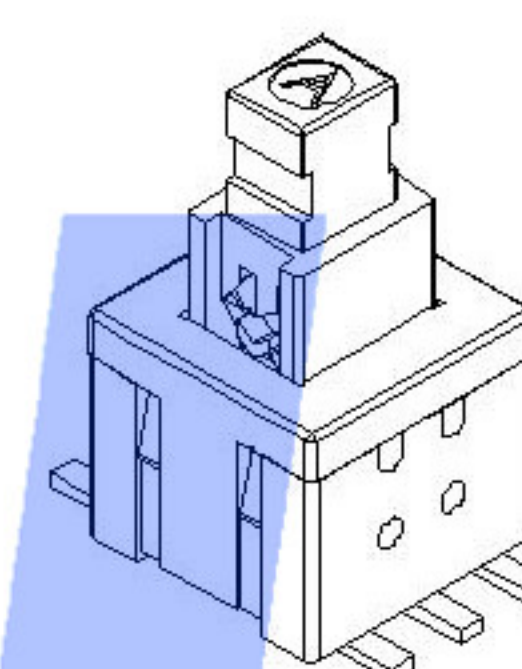
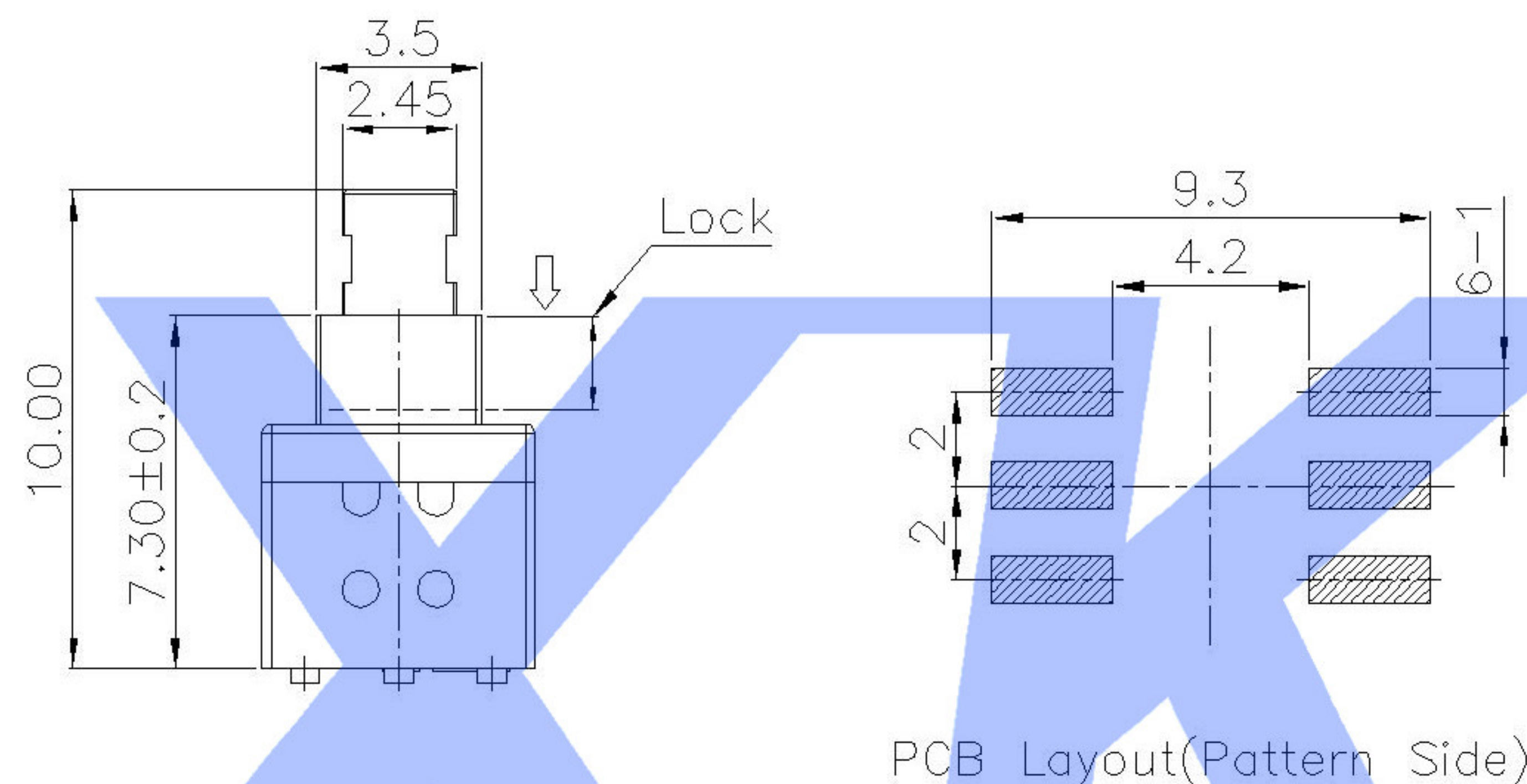
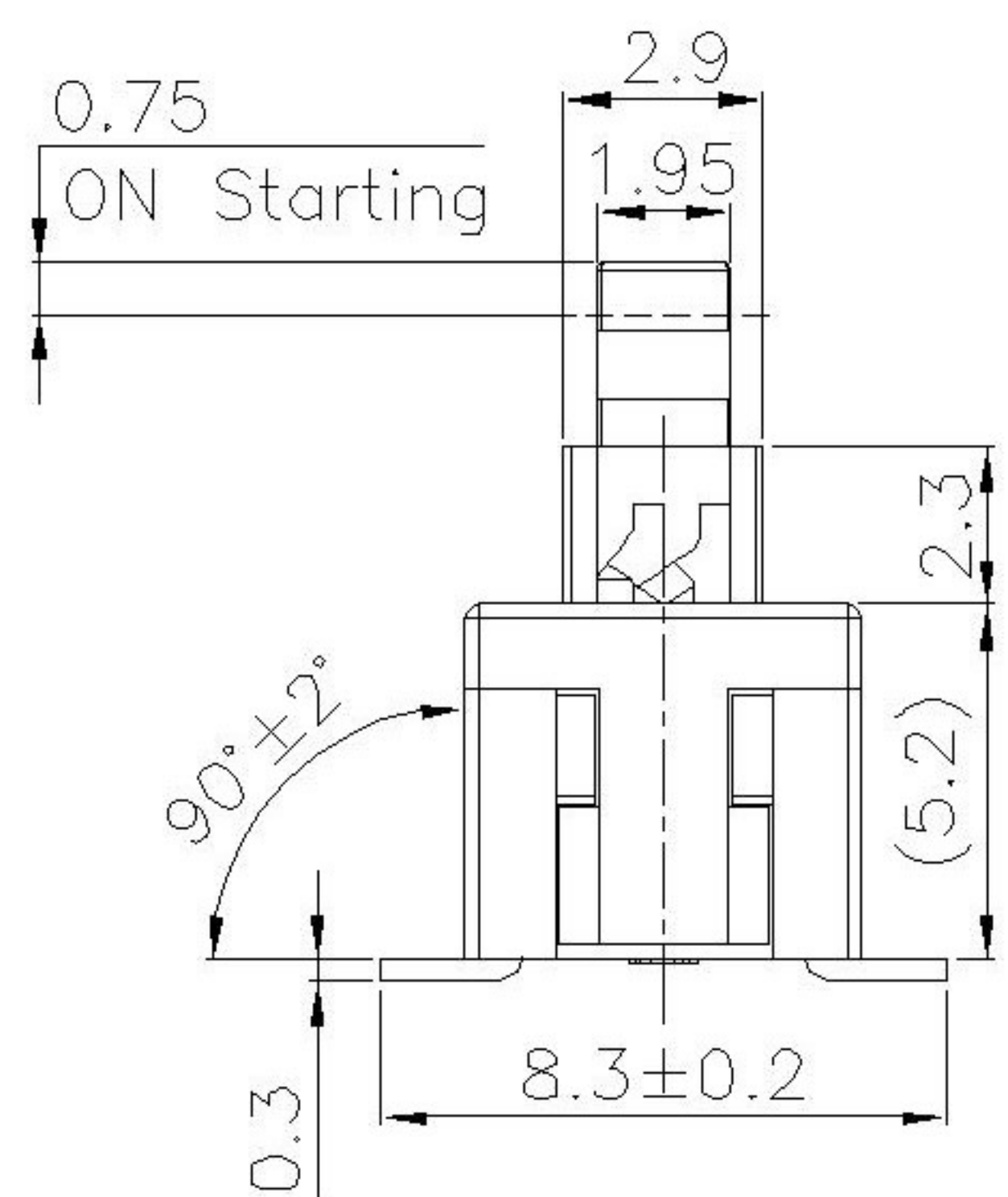
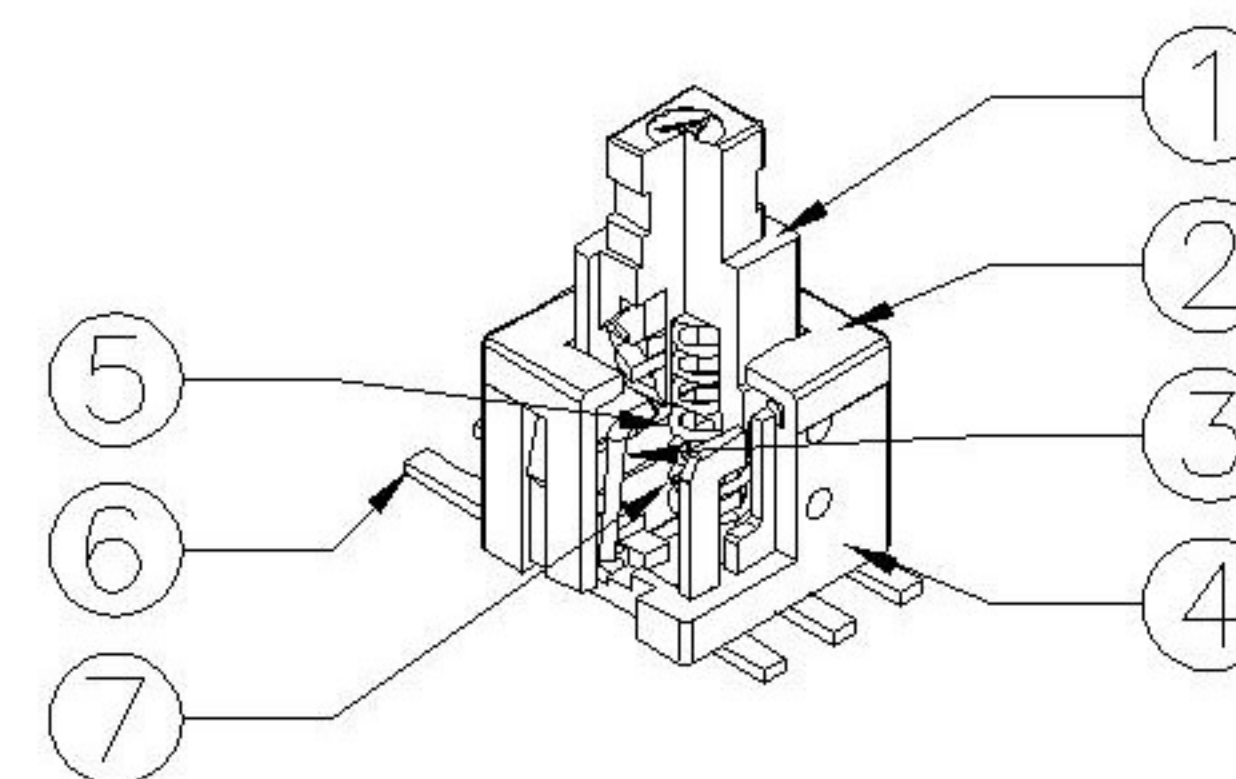


NOTE:  
1. Operating Force: 180gf±50gf



### FEATURES

- Light operating force.
- Long term low contact resistance.
- Momentary or latching operation.
- Short stroke 1.5mm to latch.
- Compact spacing on PCB of 5.8mm.

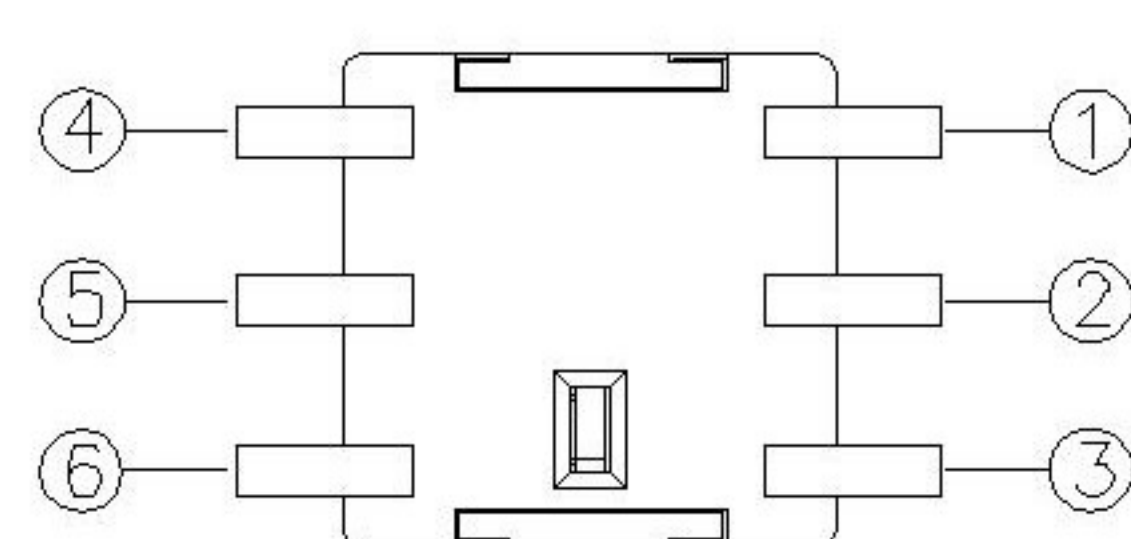
### SPECIFICATIONS

#### 1. ELECTRICAL

● Contact rating	0.1A, 30VDC
● Contact resistance	50mW Max.
● Insulation resistance	100MΩ Min. at 250VDC
● Dielectric strength	250VAC Min. for 60 sec.

#### 2. MECHANICAL AND ENVIRONMENTAL

● Temperature rating	Operating: -15°C to +55°C Storage: -25°C to +65°C
● Operation force	160±80gf
● Stroke	Lock Stroke: 1.1±0.2mm Full Stroke: 1.9±0.2mm
● Operating life	full load: 1x10 <sup>4</sup> cycles no load: 1x10 <sup>5</sup> cycles
● Contact form	DPDT



# SWITCH CONNECTOR

Circuit Diagram

ITEM	PAPT NAMF	TER,NO	QTY	MATERIAL	FINISHING	REMARK
⑦	Contact	—	2	Phosphor bronze	ag Plated	—
⑥	Terminal	—	6	Brass strip	ag Plated	—
⑤	spring	—	1	SUS	Natural	—
④	Base	—	1	Nylon	—	—
③	Crochet Needle	—	1	SUS	Natural	—
②	Cover	—	1	Nylon	—	—
①	Keystake	—	1	Nylon	—	—

PAPT NO	XKB5858-X-TP
OPERATION	W: NO LOCK Z: LOCK

MARK	DESCRIPTION	DATE	REVISED	APPROVED	UNSPECIFIED TOLERANCES	DSND	DATE	SCALE: N/A	MODEL TYPE: PUSH SWITCH		
ΔX					ANGLAR ±5°	DWN	DATE	VIEW:	PART NO.: XKB5858		
ΔX					L ≤ 4 ±0.2	CHKD	DATE	UNIT: mm	DWG NO.: XKB5858-X-TP		
ΔX					4 < L ≤ 16 ±0.3	APPD	DATE	SIZE: A4			
					16 < L ≤ 63 ±0.4						
					L > 63 ±0.5						
						XKB INDUSTRIAL PRECISION CO., LIMITED			WEIGHT 1.0g	SHEET 1/1	REVISION A0



## X-ON Electronics

Largest Supplier of Electrical and Electronic Components

*Click to view similar products for [Pushbutton Switches](#) category:*

*Click to view products by [XKB](#) manufacturer:*

Other Similar products are found below :

[LW1L-M1C10V-A](#) [LW2L-A1C20M-GD](#) [LW2L-M1C20M-A](#) [60324L](#) [M7E-HRN2](#) [67021K512](#) [67081K512X](#) [701PB580](#) [719-5504-000](#)  
[MDPSSGLFS](#) [810KSV30B](#) [FLT 2U EE 01A](#) [MML21KA3ABK](#) [MML23KA3AC05K-001](#) [MML23KW3AA01W](#) [8418K2](#) [8646AB6X718UL](#)  
[8646ABUL](#) [FSDWH](#) [9001KXRK](#) [9001T8BK](#) [9533CD4+U574+U4922](#) [1203MRA](#) [A22EM01S](#) [A595](#) [1202A6](#) [12037A2ULCSA](#) [1203A2UL](#)  
[ABD122N-B](#) [1211390004](#) [ABN111-Y](#) [ABN400-R](#) [1211500044](#) [1211580012](#) [1212MRA](#) [1232A6NF](#) [RA3CSH6A](#) [1241.1183.7047](#)  
[1241.2511](#) [1241.3428](#) [1223A2ULCSA](#) [1223MRA](#) [1232AX2119](#) [1241.1183.8000](#) [1241.1183.8029](#) [1241.2506](#) [1241.2606](#) [12MA6](#)  
[1301940184](#) [RELBARF6X10\(PLASTIC\)](#)