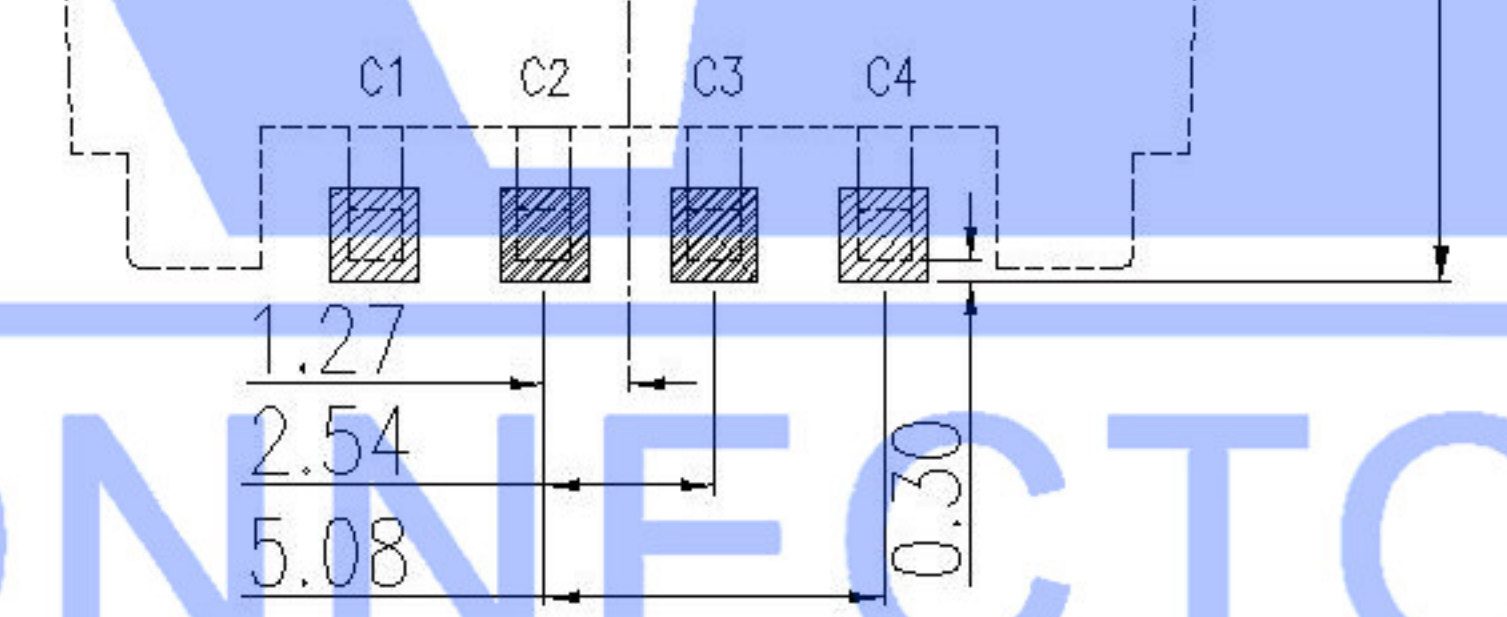
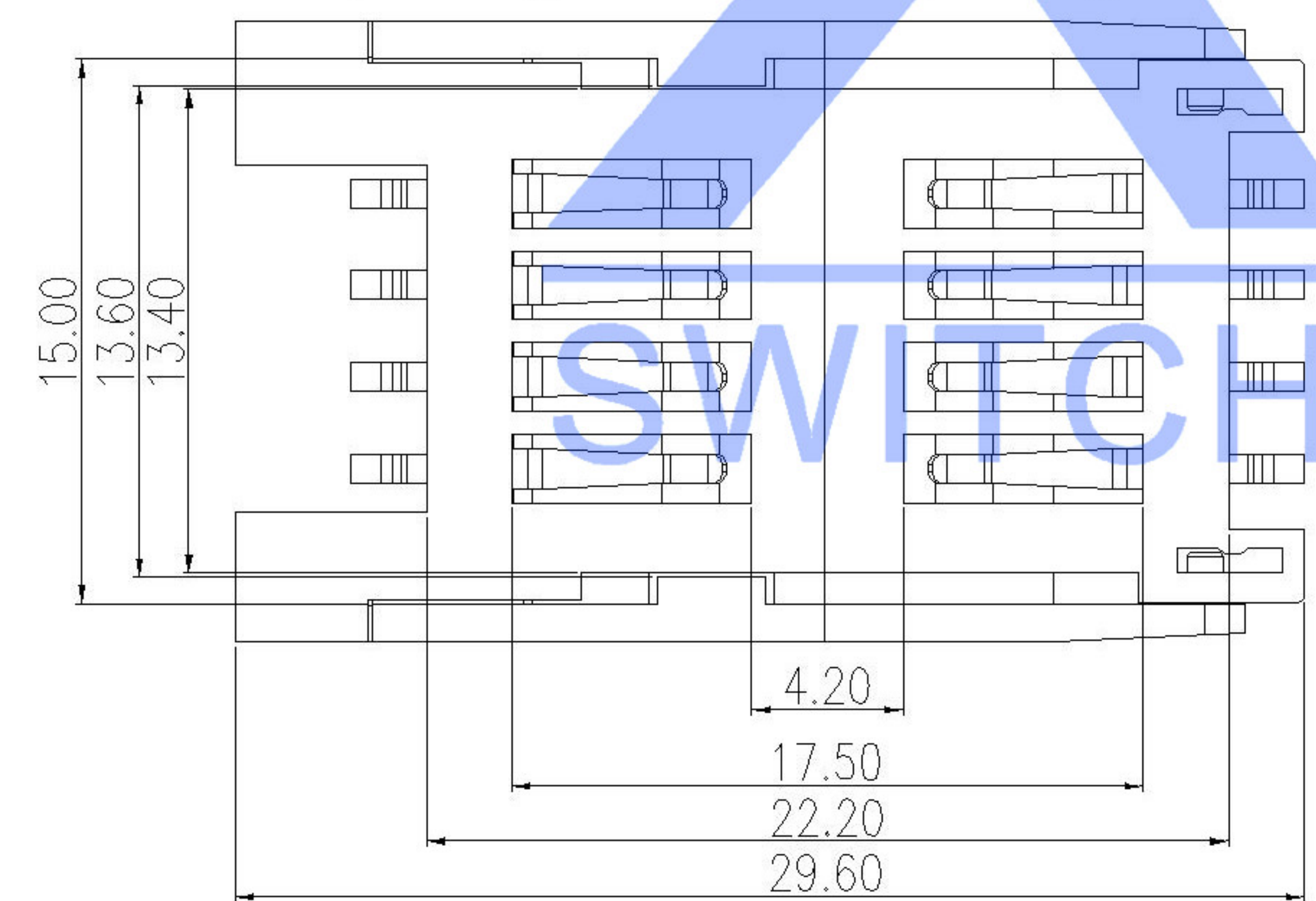
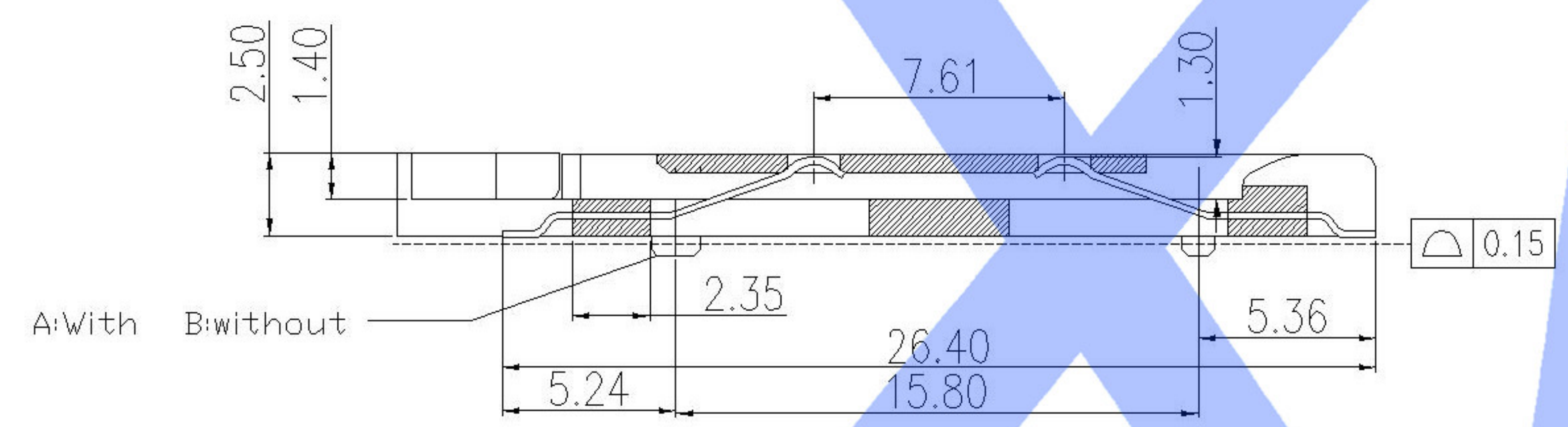


- A.Material:
- 1.Insulator:High temperature thermoplastic UL94V-0,(BLACK LCP)
 - 2.Pho.Bronze:Plating, 50U" MIN NICKEL UNDERPLATED; 3-8U" GOLD ON THE CONTACT AREA; 100U" TIN PLATING ON SOLDER TAIL
- B.Electrical specifications:
- Voltage rating: 10 V AC
 - Current rating: 0.5A
 - Dielectric strength: 500V AC for 1 minute min
 - Insulation resistance: 1000 M ohm
 - Contact resistance: 100 mill.ohm max
 - Operation temperature: -25° to +95°
 - Product withstanding rff low soldering 260° for 10s
- C.Mechanical specieications:
- 3.1 Durability: 5000 cycles



XKSIM-011B-P8-X

A:With B:without

RECOMMENDED PCB PATTERN DIM.
TOLERANCE : ±0.05

| | | | | | | | | | | | | | |
|------|-------------|------|---------|----------|-------------|------|------|--------------------------------------|------|------------------------|------------|------------------------------|----------|
| | | | | | ANGLAR | ±5° | DSND | | DATE | | SCALE: N/A | MODEL TYPE: SIM CARD CONN | |
| ΔX | | | | | L ≤ 4 | ±0.2 | DWN | | DATE | | VIEW: | PART NO.: | |
| ΔX | | | | | 4 < L ≤ 16 | ±0.3 | CHKD | | DATE | | UNIT: mm | DWG NO.: | |
| ΔX | | | | | 16 < L ≤ 63 | ±0.4 | APPD | | DATE | | SIZE: A4 | XKSIM-011B-P8-X | |
| MARK | DESCRIPTION | DATE | REVISED | APPROVED | L > 63 | ±0.5 | | | | UNSPECIFIED TOLERANCES | WEIGHT | SHEET | REVISION |
| | | | | | | | | KKB INDUSTRIAL PRECISION CO.,LIMITED | | | 1.0g | 1/1 | A0 |
| | | | | | | | | | | | | | |

X-ON Electronics

Largest Supplier of Electrical and Electronic Components

Click to view similar products for [Standard Card Edge Connectors](#) category:

Click to view products by [XKB](#) manufacturer:

Other Similar products are found below :

[6565204-6](#) [PKC-156](#) [1437274-4](#) [147889-1](#) [1489165-4](#) [EBT156-12B1X](#) [EBT15622B2X](#) [EBT156-22R2W](#) [1-582587-1](#) [1-582589-1](#) [2-6437275-9](#) [284-0102-12100](#) [306022901000000](#) [307-012-502-202](#) [307-024-526-201](#) [307-056-520-300](#) [307-080-526-208](#) [1926088-2](#) [245-062-520-350](#) [287-0032-12101](#) [306-010-500-112](#) [306-028-525-102](#) [306-240-318](#) [307-036-502-202](#) [307-036-521-301](#) [307-072-526-202](#) [345-060-559-303](#) [368-004-520-201](#) [392-008-559-201](#) [534671-1](#) [5-530501-5](#) [341-240-317](#) [345-029-520-300](#) [345-030-500-301](#) [345-044-500-300](#) [345-220-058](#) [346-240-318](#) [357-030-526-201](#) [387-012-523-300](#) [395-044-520-300](#) [395-100-524-300](#) [50-12B-10](#) [50-6SN-5](#) [09-07-2032](#) [10035388-106LF](#) [10035388-802LF](#) [10115859-011LF](#) [10122859-009LF](#) [101269333204245CLF](#) [10127905-B04B24BLF](#)