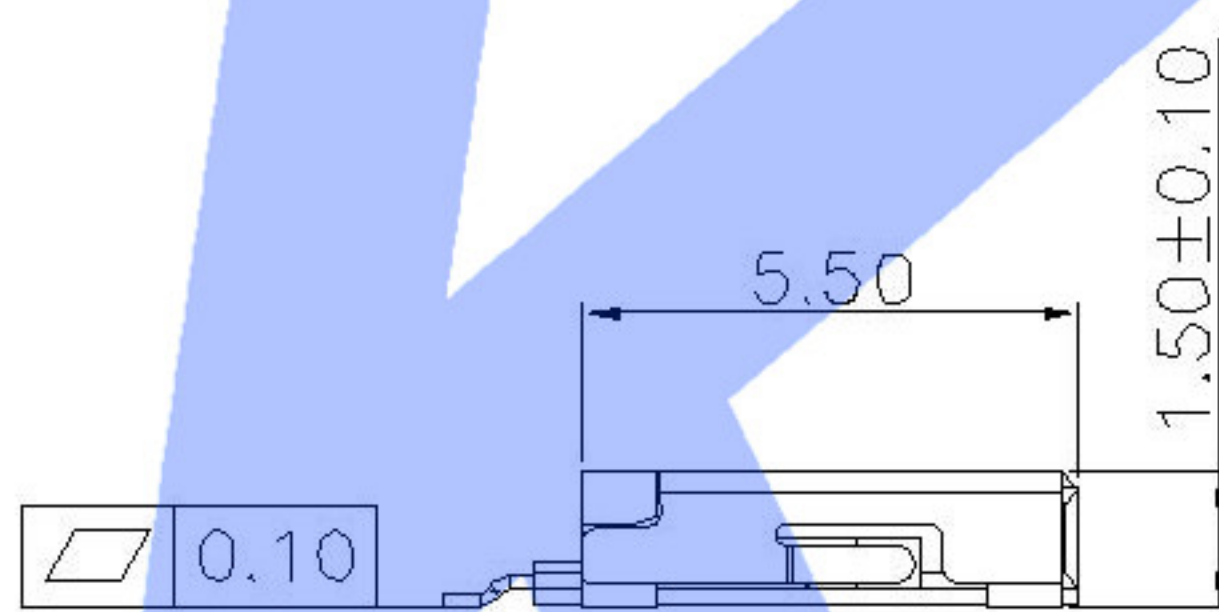
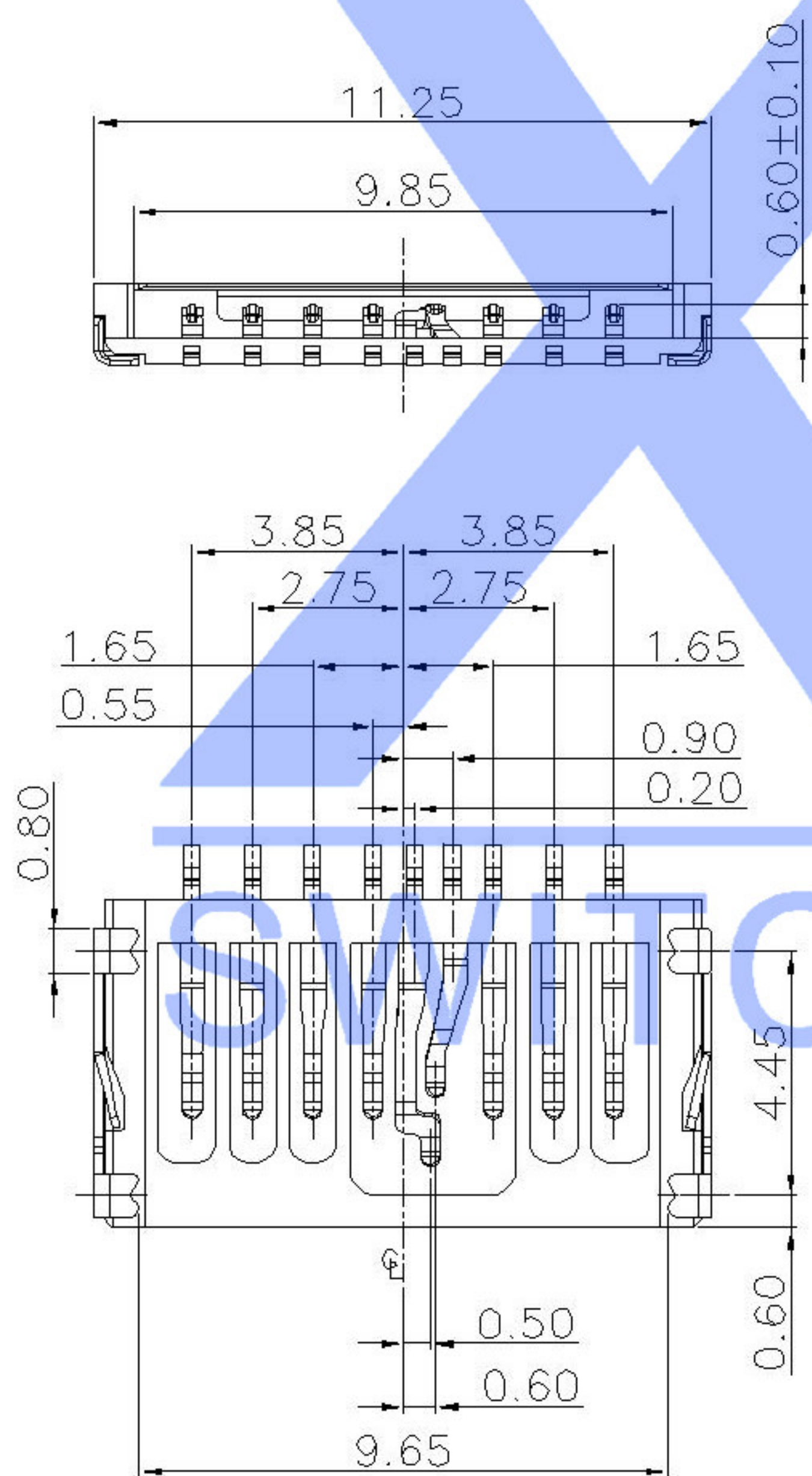


RECOMMENDED PCB LAYOUT
TOL:(±0.05)

- NOTE:
- ELECTRICAL CHARACTERISTICS
 - CONTACT RESISTANCE: 80 milliohms MAX.
 - INSULATION RESISTANCE: 1,000 Megohms MIN.
 - DIELECTRIC WITHSTANDING VOLTAGE: 500V AC FOR 1 MINUTE.
 - RoHS 2002/95/EC COMPLIANT.



P8	DAT1
P7	DAT0
P6	VSS
P5	CLK
G1	SWITCH
P4	VDD
P3	CMD
P2	CD/DAT3
P1	DAT2
PIN NUMBER	PIN NUMBER

3	SHELL	1	STAINLESS STEEL		
2	TERMINAL	9	COPPER ALLOY	AU PLATING	CONTACT AREA:G/F ;MATTE TIN PLATED ON SOLDERING
1	HOUSING	1	THERMOPLASTIC		UL 94V-0;COLOR:NATURAL
ITEM	NAME	Q'TY	MATERIAL	FINISHED	NOTE

DSND		DATE		SCALE: N/A	MODEL TYPE: TF CARD CONN													
DWN		DATE		VIEW:	PART NO.:													
CHKD		DATE		UNIT: mm	DWG NO.:													
APPD		DATE		SIZE: A4	XKTF-0803-0													
<table border="1"> <thead> <tr> <th>REVISIONS</th> <th>DATE</th> <th>REVISED</th> <th>APPROVED</th> </tr> </thead> <tbody> <tr> <td> </td> <td> </td> <td> </td> <td> </td> </tr> </tbody> </table>				REVISIONS	DATE	REVISED	APPROVED					<table border="1"> <thead> <tr> <th>WEIGHT</th> <th>SHEET</th> <th>REVISION</th> </tr> </thead> <tbody> <tr> <td>1.0g</td> <td>1/1</td> <td>A0</td> </tr> </tbody> </table>	WEIGHT	SHEET	REVISION	1.0g	1/1	A0
REVISIONS	DATE	REVISED	APPROVED															
WEIGHT	SHEET	REVISION																
1.0g	1/1	A0																
<table border="1"> <thead> <tr> <th>ANGLAR</th> <th>±5°</th> </tr> </thead> <tbody> <tr> <td>L ≤ 4</td> <td>±0.2</td> </tr> <tr> <td>4 < L ≤ 16</td> <td>±0.3</td> </tr> <tr> <td>16 < L ≤ 63</td> <td>±0.4</td> </tr> <tr> <td>L > 63</td> <td>±0.5</td> </tr> </tbody> </table>				ANGLAR	±5°	L ≤ 4	±0.2	4 < L ≤ 16	±0.3	16 < L ≤ 63	±0.4	L > 63	±0.5	KXB INDUSTRIAL PRECISION CO.,LIMITED				
ANGLAR	±5°																	
L ≤ 4	±0.2																	
4 < L ≤ 16	±0.3																	
16 < L ≤ 63	±0.4																	
L > 63	±0.5																	
UNSPECIFIED TOLERANCES																		
www.xk-dg.cn www.helloxkb.com www.helloxkb.cn																		

X-ON Electronics

Largest Supplier of Electrical and Electronic Components

Click to view similar products for [Standard Card Edge Connectors](#) category:

Click to view products by [XKB](#) manufacturer:

Other Similar products are found below :

[6565204-6](#) [PKC-156](#) [1437274-4](#) [147889-1](#) [1489165-4](#) [EBT156-12B1X](#) [EBT15622B2X](#) [EBT156-22R2W](#) [1-582587-1](#) [1-582589-1](#) [2-6437275-9](#) [284-0102-12100](#) [306022901000000](#) [307-012-502-202](#) [307-024-526-201](#) [307-056-520-300](#) [307-080-526-208](#) [1926088-2](#) [245-062-520-350](#) [287-0032-12101](#) [306-010-500-112](#) [306-028-525-102](#) [306-240-318](#) [307-036-502-202](#) [307-036-521-301](#) [307-072-526-202](#) [345-060-559-303](#) [368-004-520-201](#) [392-008-559-201](#) [534671-1](#) [5-530501-5](#) [341-240-317](#) [345-029-520-300](#) [345-030-500-301](#) [345-044-500-300](#) [345-220-058](#) [346-240-318](#) [357-030-526-201](#) [387-012-523-300](#) [395-044-520-300](#) [395-100-524-300](#) [50-12B-10](#) [50-6SN-5](#) [09-07-2032](#) [10035388-106LF](#) [10035388-802LF](#) [10115859-011LF](#) [10122859-009LF](#) [101269333204245CLF](#) [10127905-B04B24BLF](#)