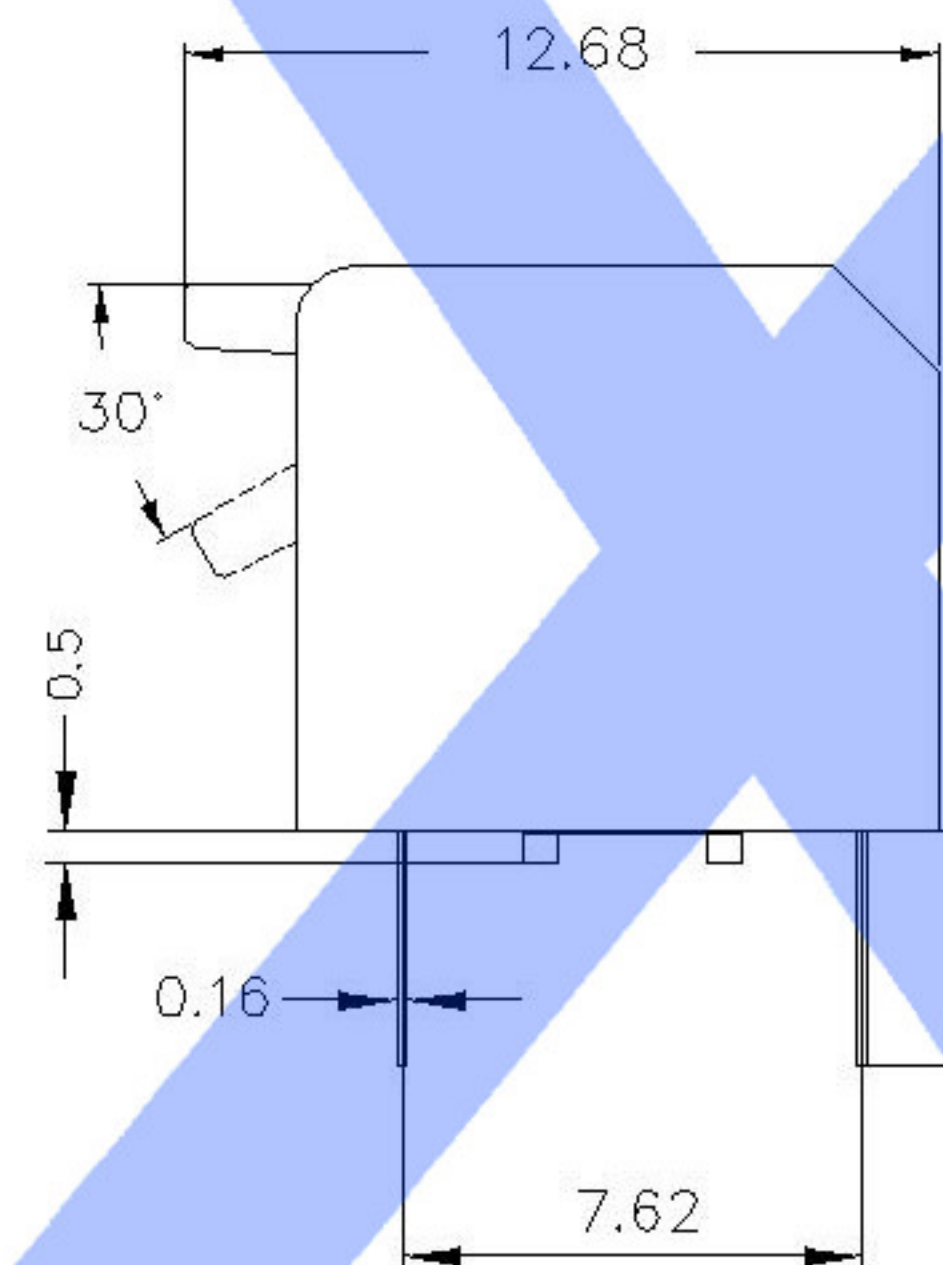
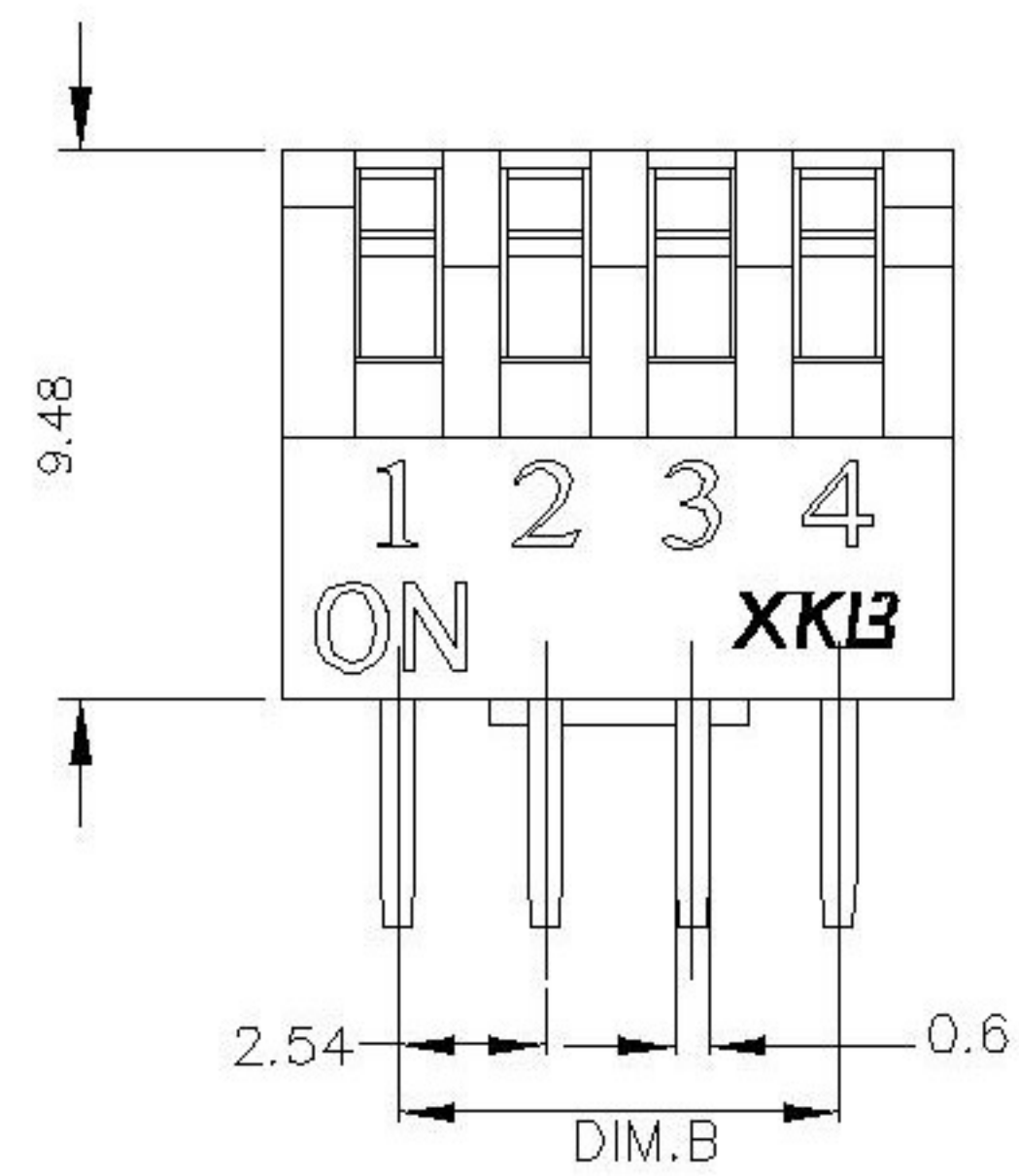


SECTION A-A



Short (S)

Projection (P)

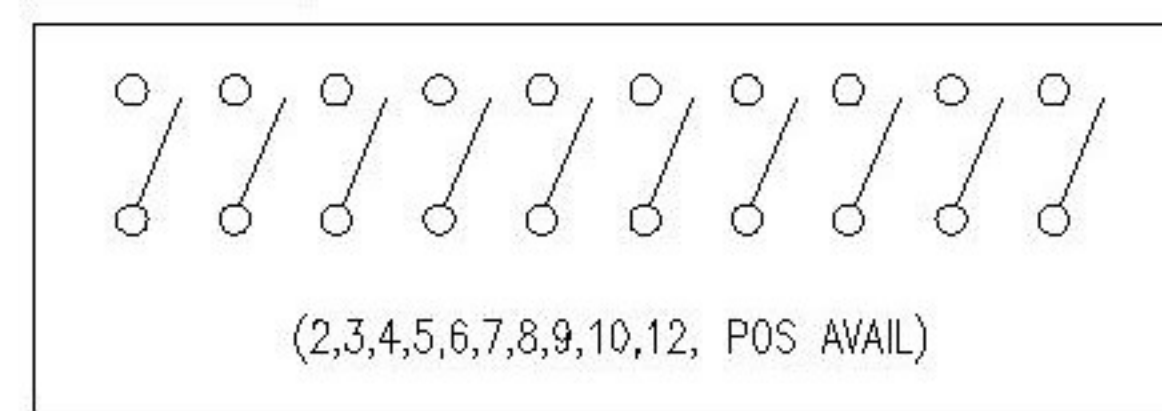
SWITCH CONNECTOR

| PART NO. | NO.OF POS. | DIM.A | DIM.B | Cover/Red (R) | | Cover/Blue (BL) | |
|----------|------------|-------|-------|----------------|-----------|-----------------|-----------|
| | | | | Projection (P) | Short (S) | Projection (P) | Short (S) |
| DP L-02 | 2 | 6.64 | 2.54 | DPL-02RP | DPL-02RS | DPL-02BLP | DPL-02BLS |
| DP L-03 | 3 | 9.18 | 5.08 | DPL-03RP | DPL-03RS | DPL-03BLP | DPL-03BLS |
| DP L-04 | 4 | 11.72 | 7.62 | DPL-04RP | DPL-04RS | DPL-04BLP | DPL-04BLS |
| DP L-05 | 5 | 14.26 | 10.16 | DPL-05RP | DPL-05RS | DPL-05BLP | DPL-05BLS |
| DP L-06 | 6 | 16.80 | 12.70 | DPL-06RP | DPL-06RS | DPL-06BLP | DPL-06BLS |
| DP L-07 | 7 | 19.34 | 15.24 | DPL-07RP | DPL-07RS | DPL-07BLP | DPL-07BLS |
| DP L-08 | 8 | 21.88 | 17.78 | DPL-08RP | DPL-08RS | DPL-08BLP | DPL-08BLS |
| DP L-09 | 9 | 24.42 | 20.32 | DPL-09RP | DPL-09RS | DPL-09BLP | DPL-09BLS |
| DP L-10 | 10 | 26.96 | 22.86 | DPL-10RP | DPL-10RS | DPL-10BLP | DPL-10BLS |
| DP L-12 | 12 | 32.04 | 27.94 | DPL-12RP | DPL-12RS | DPL-12BLP | DPL-12BLS |

SPECIFICATION

| | |
|-----------------------|--------------------|
| Contact Rating | 25mA, 24V DC |
| Contact Resistance | 50mΩ max. |
| Insulation Resistance | 100MΩ min. 500V DC |
| Dielectric Strength | 500V AC/1 minute |
| Operating Force | 400gf max. |
| Travel | 25° |
| Operating Life | 2,000 cycles |
| Operating Temp. | -40°C ~ +85°C |
| Storage Temp. | -40°C ~ +85°C |

CIRCUIT



| MARK | DESCRIPTION | DATE | REVISED | APPROVED | UNSPECIFIED TOLERANCES | SCALE: N/A | MODEL TYPE: DIP SWITCH |
|---|-------------|------|---------|----------|------------------------|---------------------------------------|---------------------------|
| ΔX | | | | | ANGLAR ±5° | DWN | PART NO.: |
| ΔX | | | | | L ≤ 4 ±0.2 | CHKD | DWG NO.: DPL-XX-X-X |
| ΔX | | | | | 4 < L ≤ 16 ±0.3 | APPD | WEIGHT 1.0g |
| | | | | | 16 < L ≤ 63 ±0.4 | | SHEET 1/1 |
| | | | | | L > 63 ±0.5 | | REVISION A0 |
| www.xk-dg.cn www.helloxkb.com www.helloxkb.cn | | | | | | XKB INDUSTRIAL PRECISION CO., LIMITED | |

X-ON Electronics

Largest Supplier of Electrical and Electronic Components

Click to view similar products for [DIP Switches/SIP Switches](#) category:

Click to view products by [XKB](#) manufacturer:

Other Similar products are found below :

[78M03S](#) [79B10T](#) [8136-475G4T](#) [G7G-1A2-CB-DC12](#) [A7SS-M](#) [DBP 2110](#) [DBP 2112](#) [DBS1008](#) [DHN02FTVTR](#) [DHN10T](#) [DHS108](#)
[DPL08TN](#) [DRD16CSE04](#) [DRR4010](#) [DRR60016](#) [DRS4016](#) [BD06E](#) [1825008-1](#) [1825444-1](#) [25.350.0653.0](#) [LA2-DC12](#) [SBS 5004 TG](#)
[SDA10H1BDA](#) [97R06ST](#) [A2C-2A5](#) [1825444-7](#) [ADE08SA04](#) [ADE12S04](#) [2161391-1](#) [2-1825058-8](#) [CCVA 2.5/ 4-G-5.08](#) [P26THRR32](#)
[25.330.0653.1](#) [25.352.0353.0](#) [MDG305ST](#) [IKN0600000](#) [IKN0800000](#) [LA2-002-DC24](#) [DBP2008](#) [DBS1003](#) [DBS2008](#) [438872000](#)
[DRD10CRAE04](#) [DRS1604](#) [DSR02T](#) [DSS 208 N](#) [5-1825033-1](#) [106-SDN06-EV](#) [1-1437507-6](#) [E2FMX2D1M1TGJ03M](#)
[E3ZMCT81M1TJ03M](#)