

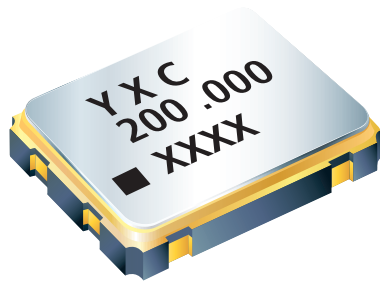


给您一颗快乐的“芯”！

YSO680PR



Features



- Quartz Crystal Programmable Oscillator
- Any frequency between 1MHz~200MHz accurate to 6 decimal places
- Operating temperature from -40 to +85
- Period Jitter, Typical: 40pSec at 12KHz to 20MHz
- CMOS compatible output
- Industry-standard packages: 2.5 x 2.0 , 3.2 x 2.5 , 5.0 x 3.2 , 7.0 x 5.0 mm x mm

Applications:

- Ideal for DSC, DVC, DVR, IP CAM, Tablets, e-Books, SSD, GPON, EPON, etc
- Ideal for high-speed serial protocols such as : USB, SATA, SAS,

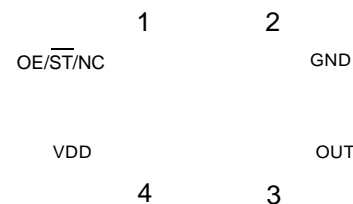
Electrical Specifications

All Min and Max limits are specified over temperature and rated operating voltage with 15 pF output load unless otherwise stated. Typical values are at 25°C and nominal supply voltage.

Parameter	1.8 V	2.5 V	3.3 V
Frequency Range	1MHz~110MHz	1MHz~166MHz	1MHz~200MHz
Supply Voltage Variation(Vdd)10%	1.62 V~1.98 V	2.25 V~2.75 V	2.97 V~3.63 V
Standby Current	15 μF		
Frequency Tolerance	± 20ppm, ± 25ppm, ± 50ppm, or specify		
Output Load	15 pF , or specify		
Operating Temperature Range	- 40 ~ + 85 °C, or specify		
Storage Temperature Range	- 55 ~ + 125 °C		
Voltage Vol (Max.) / Vol (Min.)	90%Vdd Min./10%Vdd Max		
Duty Cycle	45~55%		
Period Jitter(@12K-20Mhz)	40pSec Typical		
Start-up Time	5msMax.		
Supply Current	See Below		
Frequency Aging (at 25 °C)	± 3 ppm / year Max.		

Pin Description

Pin	Symbol		Functionality
1	OE/ \overline{ST} /NC	Output Enable	H : specified frequency output L : output is high impedance. Only output driver is disabled.
		Standby	H : specified frequency output L : output is low (weak pull down). Device goes to sleep mode. Supply current reduces to I _{std} .
		No Connect	Any voltage between 0 and Vdd or Open : Specified frequency output. Pin 1 has no function.
2	GND	Power	Electrical ground
3	OUT	Output	Oscillator output
4	VDD	Power	Power supply voltage



Pin Assignments



给您一颗快乐的“芯”！

YSO680PR



Dimensions and Patterns

Package Size – Dimensions (Unit: mm)	Recommended Land Pattern (Unit: mm)
2.5 x 2.0 mm	
3.2 x 2.5 mm	
5.0 x 3.2 mm	
7.0 x 5.0 mm	

Notes:

1. A capacitor of value 0.01 μ F~0.1 μ F or higher between Vdd and GND is required.



给您一颗快乐的“芯”！

YSO680PR



Performance Plots

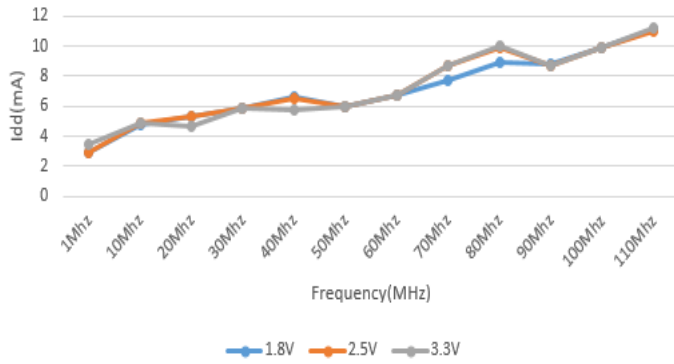


Figure 1. Idd vs Frequency

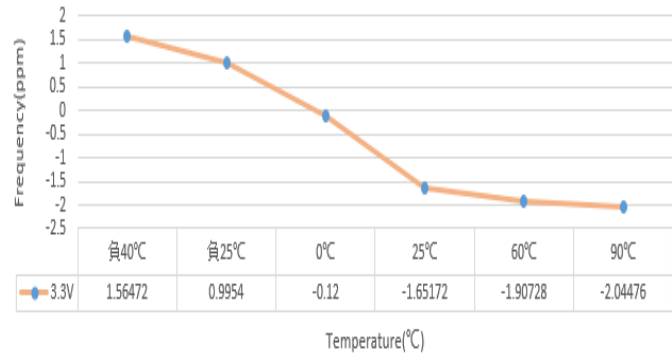


Figure 2. Frequency vs Temperature

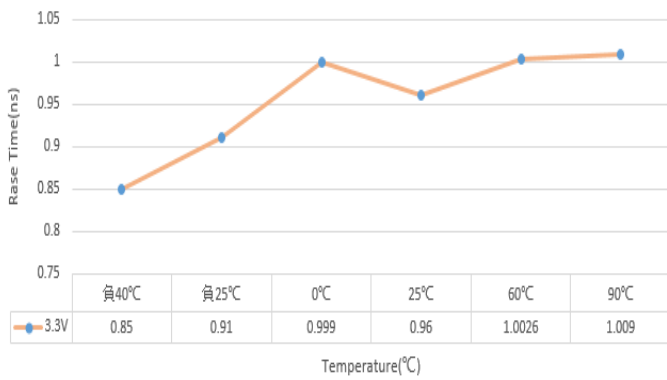


Figure 3. 20%-80% Rise Time vs Temperature

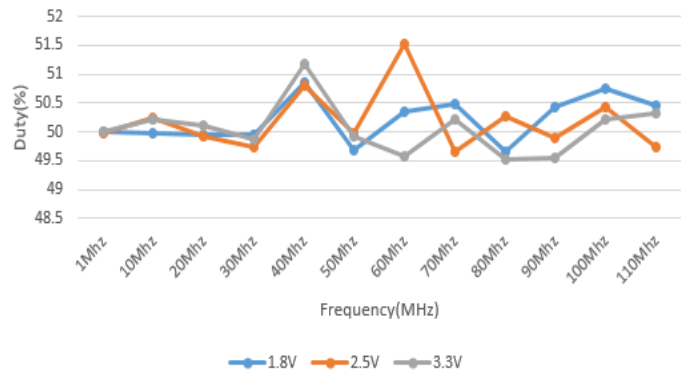


Figure 4. Duty Cycle vs Frequency

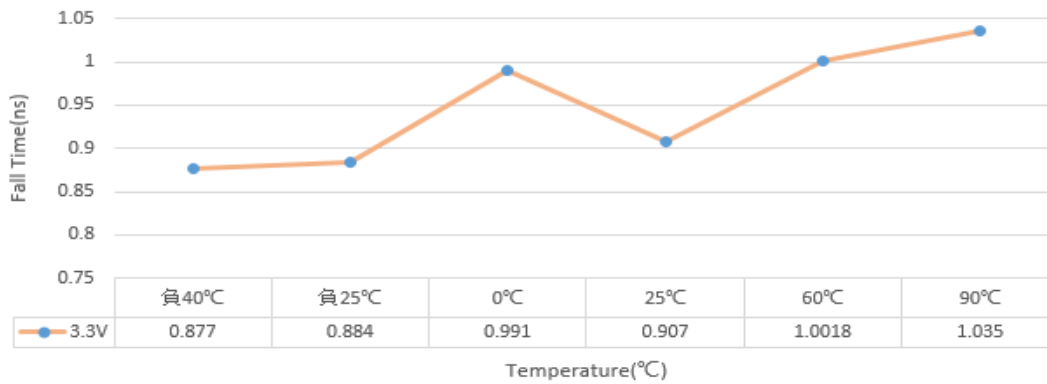


Figure 5. 20%-80% Fall Time vs Temperature

Notes:

1. All plots are measured with 15 pF load at room temperature, unless otherwise stated.
2. Phase noise plots are measured with Agilent E5052B signal source analyzer. Integration range is up to 5 MHz for carrier frequencies below 40 MHz.

come visit our site <http://www.yxc.hk>



给您一颗快乐的“芯”！

YSO680PR



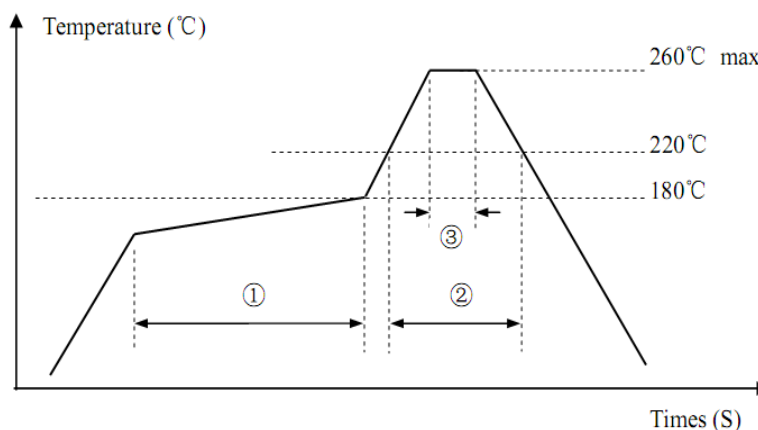
★ PART NUMBER GUIDE 部件号示例 e.g. OP7050200MEDA4SI - u YSO680PR=7.0 ×5.0 SMD SEAM TYPE

Quartz Crystal Oscillator	Dimensions	Frequency (Hz)	Supply voltage (V)	Frequency Stability Overall (ppm)	output	Pin	Material	Operating Temp. Range	-	Remark
OP	7050	200M	E	D	A	4	S	I	.	u

★ INPUT CURRENT 工作电流

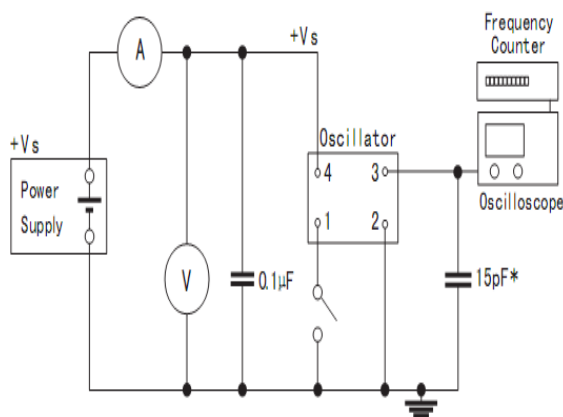
Supply Voltage	Power Dissipation				
	1.000 ~ 30.000 MHz	30.000 ~ 75.000 MHz	75.000 ~ 110.000 MHz	133.000 ~ 166.000 MHz	166.000 ~ 200.000 MHz
1.8 V	6 mA max	8 mA max	12 mA max	—	—
2.5 V	8 mA max	10 mA max	15 mA max	15 mA max	—
3.3 V	10 mA max	15 mA max	20 mA max	22 mA max	25 mA max

★ REFLOW SOLDERING PROFILE 回流焊特性



Pb free reflow A	①	Preheat	160~180°C	120sec. max
	②	Primary heat	220°C	60sec. max
	③	Peak	260°C	10sec. max.

★ Test Circuit 测试电路



X-ON Electronics

Largest Supplier of Electrical and Electronic Components

Click to view similar products for [Standard Clock Oscillators](#) category:

Click to view products by [Yangxing](#) manufacturer:

Other Similar products are found below :

[EP1400SJTSC-125.000M](#) [601137](#) [601252](#) [CSX750FBC-24.000M-UT](#) [CSX750FBC-33.333M-UT](#) [CSX750FCC-3.6864M-UT](#) [F335-12](#) [F335-25](#) [F535L-50](#) [DSC506-03FM2](#) [ASA-20.000MHZ-L-T](#) [ASA-25.000MHZ-L-T](#) [ASA-27.000MHZ-L-T](#) [ASV-20.000MHZ-LR-T](#) [ECS-2018-160-BN-TR](#) [EL13C7-H2F-125.00M](#) [MXO45HS-2C-66.6666MHZ](#) [NBXDBB017LN1TAG](#) [NBXHBA019LN1TAG](#) [SiT1602BI-22-33E-50.000000E](#) [SIT8003AC-11-33S-2.04800X](#) [SiT8256AC-23-33E-156.250000X](#) [SIT8918AA-11-33S-50.000000G](#) [SM4420TEV-40.0M-T1K](#) [SMA4306-TL-H](#) [F335-24](#) [F335-40](#) [F335-50](#) [F535L-10](#) [F535L-12](#) [F535L-16](#) [F535L-24](#) [F535L-27](#) [F535L-48](#) [PE7744DW-100.0M](#) [CSX750FBC-20.000M-UT](#) [CSX-750FBC33333000T](#) [CSX750FBC-4.000M-UT](#) [CSX750FBC-7.3728M-UT](#) [CSX750FBC-8.000M-UT](#) [CSX-750FCC14745600T](#) [CSX750FCC-16.000M-UT](#) [CSX-750FCC40000000T](#) [CSX750FCC-4.000M-UT](#) [ASA-22.000MHZ-L-T](#) [ASA2-26.000MHZ-L-T](#) [ASA-40.000MHZ-L-T](#) [ASA-48.000MHZ-L-T](#) [ASA-60.000MHZ-L-T](#) [ASF1-3.686MHZ-N-K-S](#)