

**$V_{RM} = 200\text{ V}$ ,  $I_{F(AV)} = 20\text{ A}$ ,  $t_{rr} = 30\text{ ns(max.)}$   
Fast Recovery and High Power Diode  
CTXS-4202S**

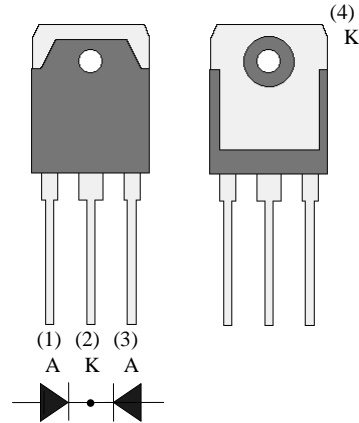
**Features**

The CTXS-4202S is a fast recovery diode which realize a peak reverse voltage of 200 V, a typical forward voltage drop of 0.90 V and typical trr of 18 ns optimizing a life-time control. It has the characteristics suit for PFC circuit of CCM.

The low thermal resistance package achieves high performance in terms of heat dissipation.

- $V_{RM}$ ----- 200 V
- $V_F$ ----- 1.05 V max. ( $I_F = 10\text{ A}$ )
- $I_{F(AV)}$ ----- 20 A
- $t_{rr}$ ----- 30ns max.  
( $I_F = 500\text{ mA}$ ,  $I_{RP} = 500\text{ mA}$ , 90 % of R.P.)

**Package**  
TO3P-3L



Not to scale

**Applications**

- For PFC Circuit (CCM)
- For White Goods
- For Telecommunication Device, etc.

**Absolute Maximum Ratings**

- Unless otherwise specified,  $T_A$  is 25 °C

| Parameter                       | Symbol      | Rating     | Unit   | Notes                                  |
|---------------------------------|-------------|------------|--------|--|
| Peak Repetitive Reverse Voltage | $V_{RM}$    | 200        | V      |  |
| Average Forward Current         | $I_{F(AV)}$ | 20         | A      |  |
| Surge Forward Current           | $I_{FSM}$   | 150        | A      | 10 ms<br>Half sinewave, one shot       |
| $I^2t$ Limiting Value           | $I^2t$      | 112.5      | $A^2s$ | $1\text{ ms} \leq t \leq 10\text{ ms}$ |
| Junction Temperature            | $T_j$       | -40 to 150 | °C     |  |
| Storage Temperature             | $T_{stg}$   | -40 to 150 | °C     |  |

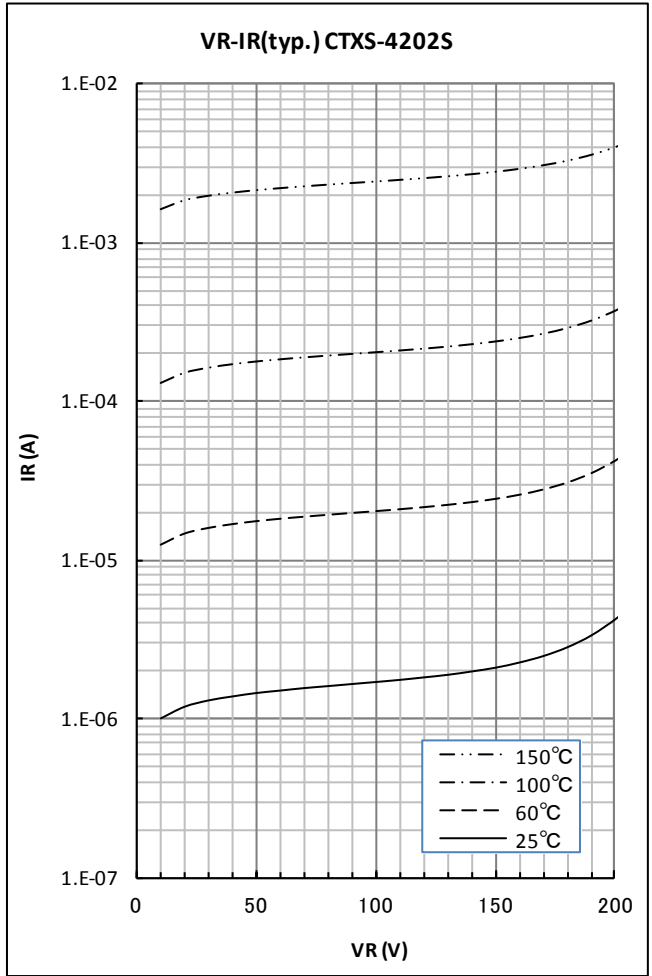
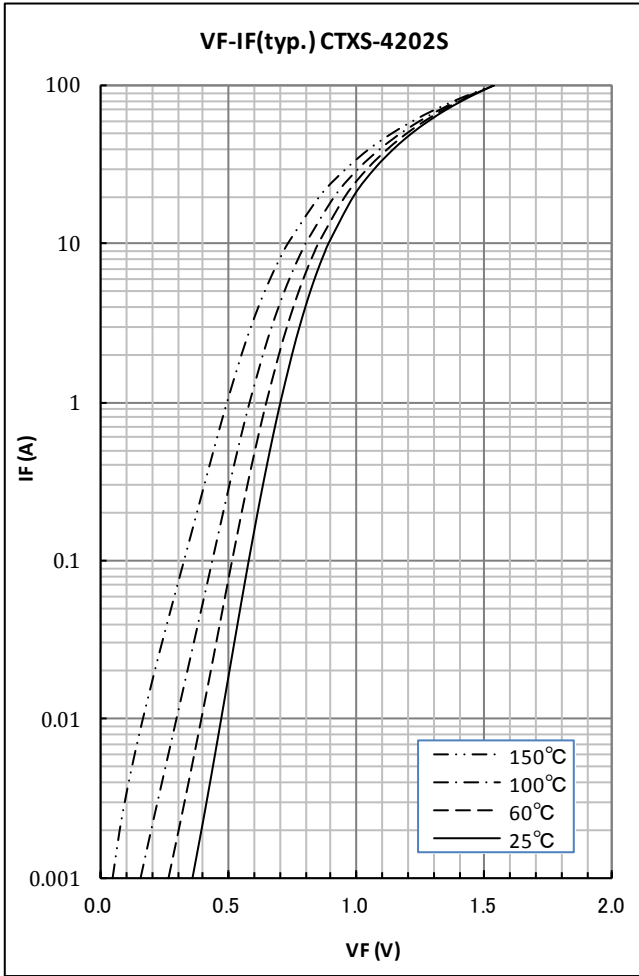
**Electrical Characteristics**

- Unless otherwise specified,  $T_A$  is 25 °C

| Parameter                                      | Symbol        | Test Conditions   | Min. | Typ. | Max. | Unit          |
|--|---------------|---|------|------|------|---------------|
| Forward Voltage Drop                           | $V_F$         | $I_F = 10\text{ A}$   | -    | 0.90 | 1.05 | V             |
| Reverse Leakage Current                        | $I_R$         | $V_R = V_{RM}$  | -    | -    | 50   | $\mu\text{A}$ |
| Reverse Leakage Current Under High Temperature | $H \cdot I_R$ | $V_R = V_{RM}$ , $T_j = 150\text{ °C}$  | -    | -    | 30   | mA            |
| Reverse Recovery Time                          | $t_{rr}$      | $I_F = I_{RP} = 500\text{ mA}$ ,<br>$T_j = 25\text{ °C}$ ,<br>90 % recovery point | -    | 18   | 30   | ns            |
| Thermal Resistance*                            | $R_{th(j-c)}$ |   | -    | -    | 2.0  | °C/W          |

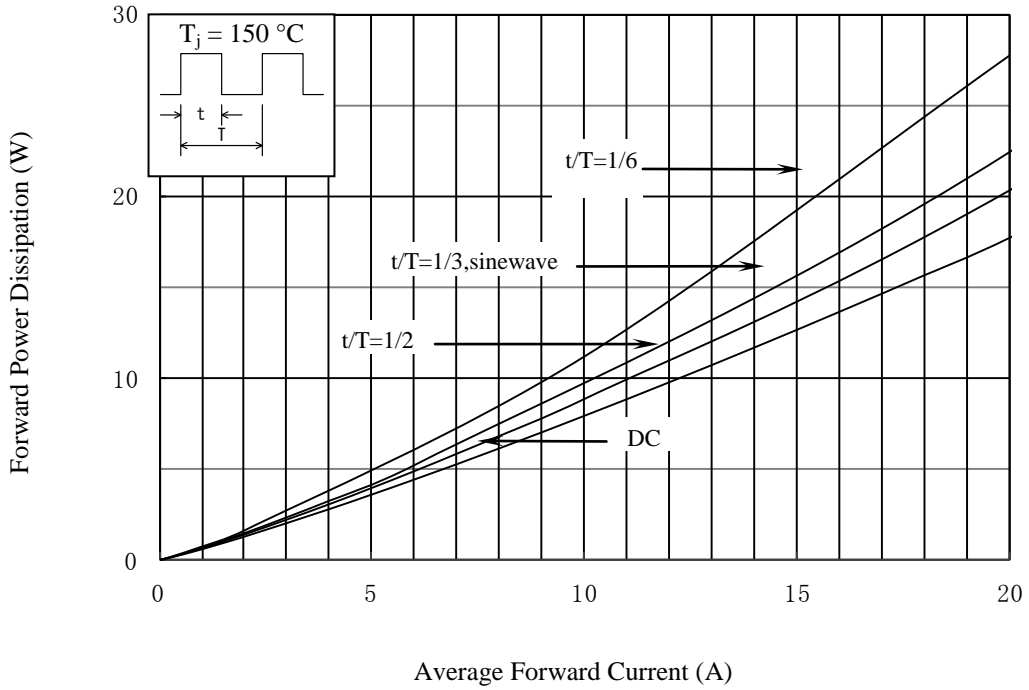
\*  $R_{th(j-c)}$  is thermal resistance between junction and case. Case temperature ( $T_c$ ) is measured at the under of the screw hole of case.

Performance Curves

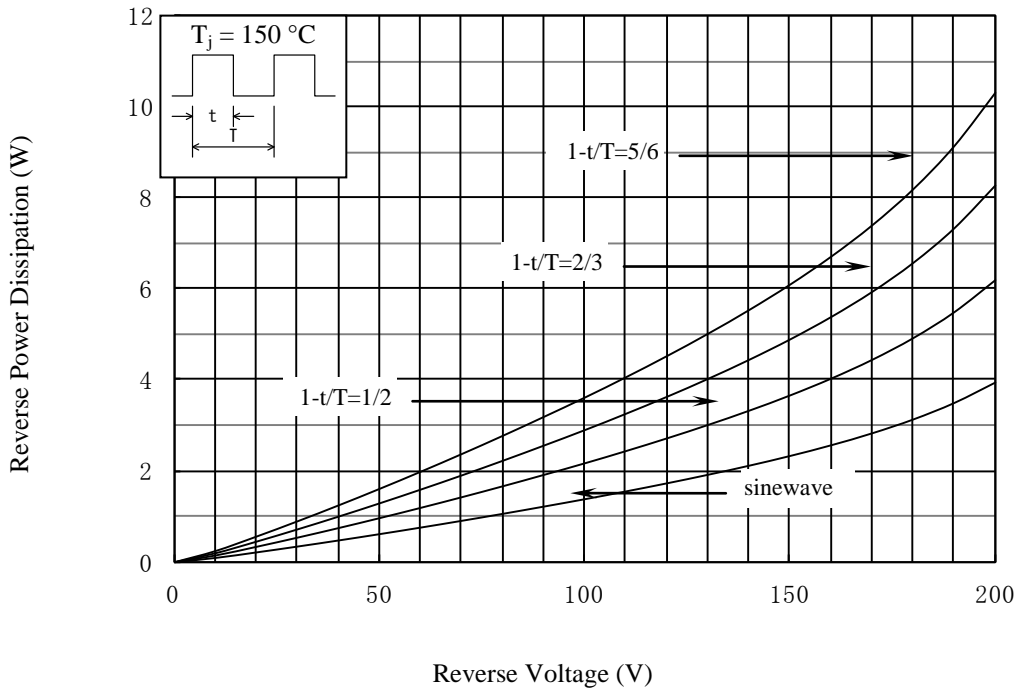


Power Dissipation Curves

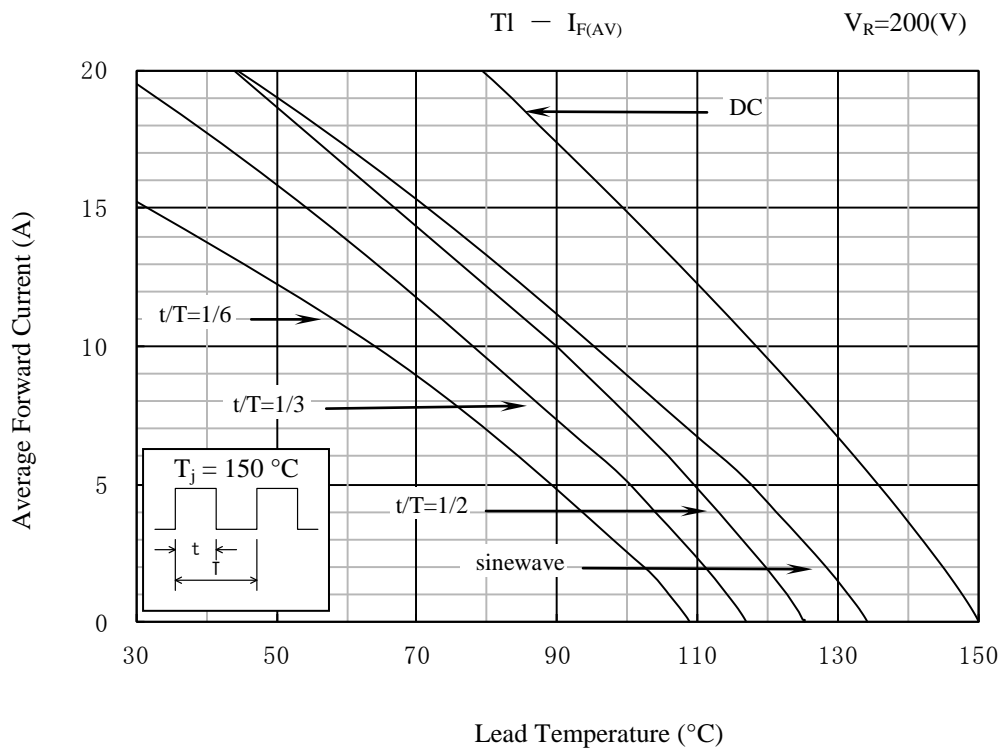
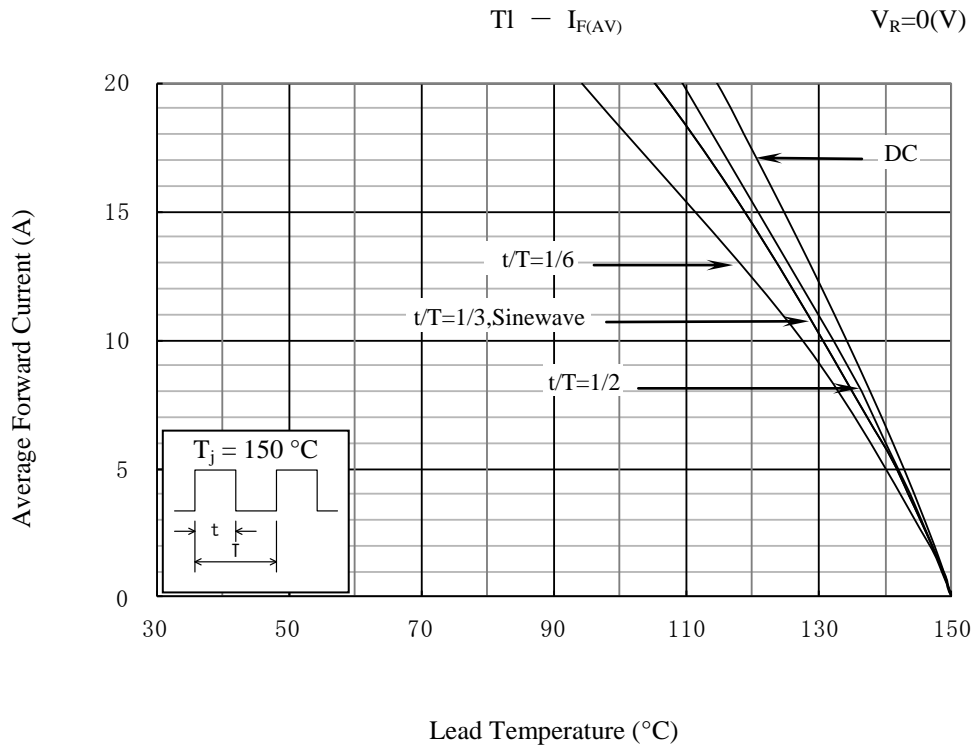
$$I_{F(AV)} - P_F$$



$$V_R - P_R$$

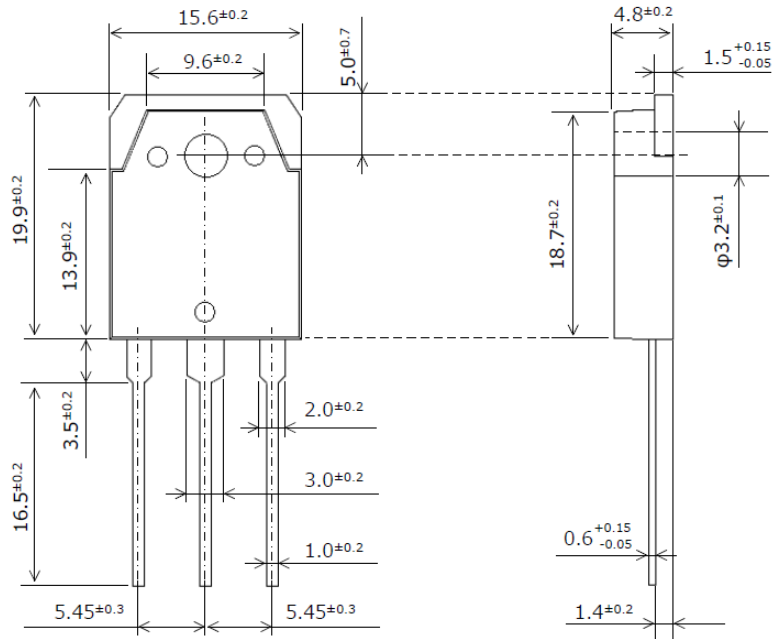


Derating Curves



**Package Outline**

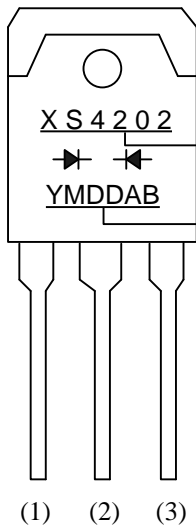
TO3P-3L



**NOTES:**

- 1) Dimension is in millimeters.
- 2) Pin treatment Pb-free. Device composition compliant with the RoHS directive.

**Marking Diagram**



Part Number

Lot Number

Y is the last digit of year (0 to 9)  
 M is the month (1 to 9, O, N or D)  
 DD is the date (two digit of 01 to 31)  
 A and B are Sanken control number

## OPERATING PRECAUTIONS

In the case that you use Sanken products or design your products by using Sanken products, the reliability largely depends on the degree of derating to be made to the rated values. Derating may be interpreted as a case that an operation range is set by derating the load from each rated value or surge voltage or noise is considered for derating in order to assure or improve the reliability. In general, derating factors include electric stresses such as electric voltage, electric current, electric power etc., environmental stresses such as ambient temperature, humidity etc. and thermal stress caused due to self-heating of semiconductor products. For these stresses, instantaneous values, maximum values and minimum values must be taken into consideration. In addition, it should be noted that since power devices or IC's including power devices have large self-heating value, the degree of derating of junction temperature affects the reliability significantly.

Because reliability can be affected adversely by improper storage environments and handling methods, please observe the following cautions.

### Cautions for Storage

- Ensure that storage conditions comply with the standard temperature (5 to 35°C) and the standard relative humidity (around 40 to 75%); avoid storage locations that experience extreme changes in temperature or humidity.
- Avoid locations where dust or harmful gases are present and avoid direct sunlight.
- Reinspect for rust on leads and solderability of the products that have been stored for a long time.

### Cautions for Testing and Handling

When tests are carried out during inspection testing and other standard test periods, protect the products from power surges from the testing device, shorts between the product pins, and wrong connections. Ensure all test parameters are within the ratings specified by Sanken for the products.

### Remarks About Using Thermal Silicone Grease

- When thermal silicone grease is used, it shall be applied evenly and thinly. If more silicone grease than required is applied, it may produce excess stress.
- The thermal silicone grease that has been stored for a long period of time may cause cracks of the greases, and it cause low radiation performance. In addition, the old grease may cause cracks in the resin mold when screwing the products to a heatsink.
- Fully consider preventing foreign materials from entering into the thermal silicone grease. When foreign material is immixed, radiation performance may be degraded or an insulation failure may occur due to a damaged insulating plate.
- The thermal silicone greases that are recommended for the resin molded semiconductor should be used. Our recommended thermal silicone grease is the following, and equivalent of these.

| Type   | Suppliers                                 |
|--------|---|
| G746   | Shin-Etsu Chemical Co., Ltd.              |
| YG6260 | Momentive Performance Materials Japan LLC |
| SC102  | Dow Corning Toray Co., Ltd.               |

### Cautions for Mounting to a Heatsink

- When the flatness around the screw hole is insufficient, such as when mounting the products to a heatsink that has an extruded (burred) screw hole, the products can be damaged, even with a lower than recommended screw torque. For mounting the products, the mounting surface flatness should be 0.05mm or less.
- Please select suitable screws for the product shape. Do not use a flat-head machine screw because of the stress to the products. Self-tapping screws are not recommended. When using self-tapping screws, the screw may enter the hole diagonally, not vertically, depending on the conditions of hole before threading or the work situation. That may stress the products and may cause failures.
- Recommended screw torque:

| Package               | Recommended Screw Torque           |
|-----------------------|------------------------------------|
| TO-220, TO-220F       | 0.490 to 0.686 N·m (5 to 7 kgf·cm) |
| TO-3P, TO-3PF, TO-247 | 0.686 to 0.882 N·m (7 to 9 kgf·cm) |
| SLA                   | 0.588 to 0.784 N·m (6 to 8 kgf·cm) |

- For tightening screws, if a tightening tool (such as a driver) hits the products, the package may crack, and internal stress fractures may occur, which shorten the lifetime of the electrical elements and can cause catastrophic failure. Tightening with an air driver makes a substantial impact. In addition, a screw torque higher than the set torque can be applied and the package may be damaged. Therefore, an electric driver is recommended. When the package is tightened at two or more places, first pre-tighten with a lower torque at all places, then tighten with the specified torque. When using a power driver, torque control is mandatory.
- Please pay special attention about the slack of the press mold. In case that the hole diameter of the heatsink is less than 4 mm, it may cause the resin crack at tightening.

### Soldering

- When soldering the products, please be sure to minimize the working time, within the following limits:
  - $260 \pm 5 \text{ }^{\circ}\text{C}$      $10 \pm 1 \text{ s}$  (Flow, 2 times)
  - $380 \pm 10 \text{ }^{\circ}\text{C}$      $3.5 \pm 0.5 \text{ s}$  (Soldering iron, 1 time)
- Soldering should be at a distance of at least 1.5 mm from the body of the products.

## IMPORTANT NOTES

- The contents in this document are subject to changes, for improvement and other purposes, without notice. Make sure that this is the latest revision of the document before use.
- Application examples, operation examples and recommended examples described in this document are quoted for the sole purpose of reference for the use of the products herein and Sanken can assume no responsibility for any infringement of industrial property rights, intellectual property rights, life, body, property or any other rights of Sanken or any third party which may result from its use.
- Unless otherwise agreed in writing by Sanken, Sanken makes no warranties of any kind, whether express or implied, as to the products, including product merchantability, and fitness for a particular purpose and special environment, and the information, including its accuracy, usefulness, and reliability, included in this document.
- Although Sanken undertakes to enhance the quality and reliability of its products, the occurrence of failure and defect of semiconductor products at a certain rate is inevitable. Users of Sanken products are requested to take, at their own risk, preventative measures including safety design of the equipment or systems against any possible injury, death, fires or damages to the society due to device failure or malfunction.
- Sanken products listed in this document are designed and intended for the use as components in general purpose electronic equipment or apparatus (home appliances, office equipment, telecommunication equipment, measuring equipment, etc.).  
When considering the use of Sanken products in the applications where higher reliability is required (transportation equipment and its control systems, traffic signal control systems or equipment, fire/crime alarm systems, various safety devices, etc.), and whenever long life expectancy is required even in general purpose electronic equipment or apparatus, please contact your nearest Sanken sales representative to discuss, prior to the use of the products herein.  
The use of Sanken products without the written consent of Sanken in the applications where extremely high reliability is required (aerospace equipment, nuclear power control systems, life support systems, etc.) is strictly prohibited.
- When using the products specified herein by either (i) combining other products or materials therewith or (ii) physically, chemically or otherwise processing or treating the products, please duly consider all possible risks that may result from all such uses in advance and proceed therewith at your own responsibility.
- Anti radioactive ray design is not considered for the products listed herein.
- Sanken assumes no responsibility for any troubles, such as dropping products caused during transportation out of Sanken's distribution network.
- The contents in this document must not be transcribed or copied without Sanken's written consent.

## X-ON Electronics

Largest Supplier of Electrical and Electronic Components

*Click to view similar products for [Rectifiers](#) category:*

*Click to view products by [Sanken](#) manufacturer:*

Other Similar products are found below :

[D91A](#) [DA24F4100L](#) [DD89N1600K-A](#) [DD89N16K-K](#) [RL252-TP](#) [DLA11C-TR-E](#) [DSA17G](#) [DSEI2X30-06C](#) [1N4005-TR](#) [BAV199-TP](#)  
[UFS120Je3/TR13](#) [JANS1N6640US](#) [VS-80-1293](#) [DD89N16K](#) [DD89N16K-A](#) [481235F](#) [DSP10G-TR-E](#) [067907F](#) [MS306](#) [ND104N08K](#)  
[SPA2003-B-D-A01](#) [VS-80-6193](#) [VS-66-9903](#) [VGF0136AB](#) [US2JFL-TP](#) [UFS105Je3/TR13](#) [A1N5404G-G](#) [ACGRA4007-HF](#) [ACGRB207-HF](#)  
[RF301B2STL](#) [RF501B2STL](#) [UES1306](#) [UES1302](#) [BAV199E6433HTMA1](#) [ACGRC307-HF](#) [ACEFC304-HF](#) [JANTXV1N5660A](#) [UES1106](#)  
[GS2K-LTP](#) [D126A45C](#) [D251N08B](#) [SCHJ22.5K](#) [SM100](#) [SCPA2](#) [SCH10000](#) [SDHD5K](#) [STTH20P035FP](#) [VS-8EWS12S-M3](#) [VS-](#)  
[12FL100S10](#) [ACGRA4001-HF](#)