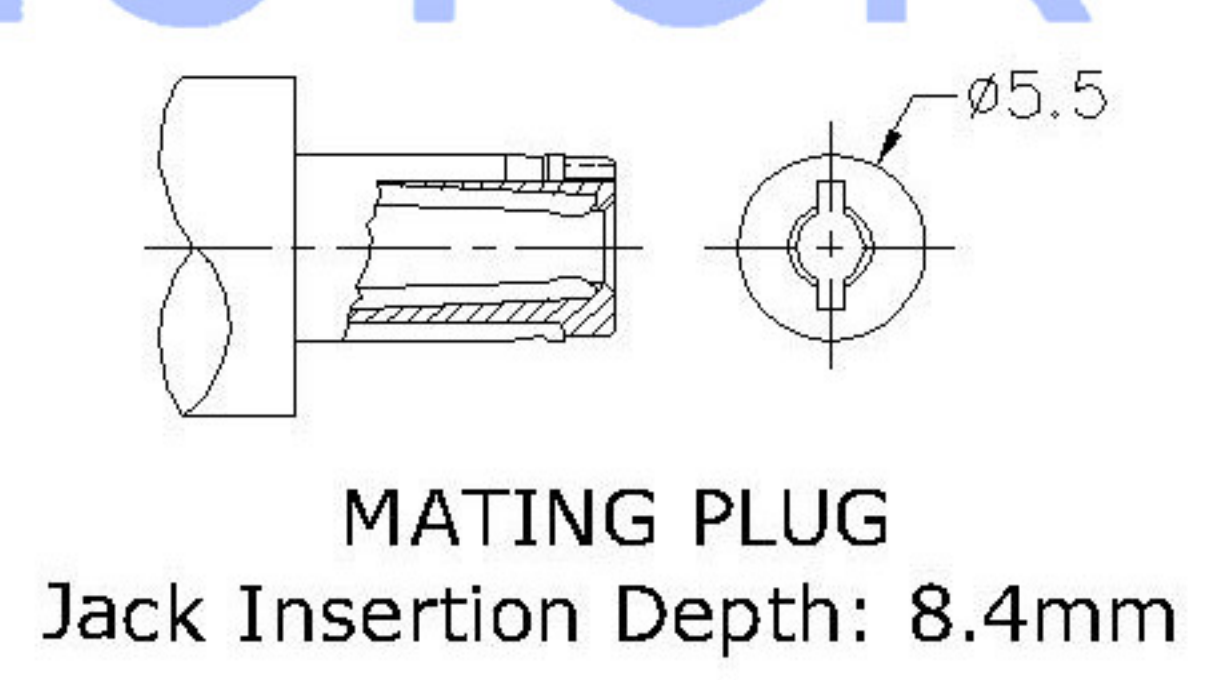


XKB

SWITCH CONNECTOR

| | MATERIAL | PLATING |
|-------------------|---------------------|---------|
| center pin | brass | nickel |
| terminal 1 | brass | silver |
| terminal 2 | phosphor bronze | silver |
| terminal 3 | brass | silver |
| bushing | brass | nickel |
| insulator plastic | red vulcanite fiber | PBT |
| nut | brass | nickel |
| washer | steel | nickel |



| | |
|-----------|------------|
| Schematic | |
| Model | Center Pin |
| DC-025LBM | ø2.0 mm |
| DC-025LBM | ø2.5 mm |

| MARK | DESCRIPTION | DATE | REVISED | APPROVED | UNSPECIFIED TOLERANCES | DSND | DATE | SCALE: N/A | MODEL TYPE: | | |
|-----------|-------------|------|---------|----------|------------------------|---------------------------------------|------|------------|------------------|-------|----------|
| △ X | | | | | ANGULAR | | | | DC POWER JACK | | |
| △ X | | | | | L ≤ 4 | | | VIEW: | PART NO.: | | |
| △ X | | | | | 4 < L ≤ 16 | | | UNIT: mm | DWG NO.: | | |
| | | | | | 16 < L ≤ 63 | | | SIZE: A4 | DC-025LBM-5A-2.0 | | |
| | | | | | L > 63 | | | | | | |
| REVISIONS | | | | | | XKB INDUSTRIAL PRECISION CO., LIMITED | | | WEIGHT | SHEET | REVISION |
| | | | | | | | | | 1.0g | 1/1 | A0 |

X-ON Electronics

Largest Supplier of Electrical and Electronic Components

Click to view similar products for [DC Power Connectors](#) category:

Click to view products by [XKB](#) manufacturer:

Other Similar products are found below :

[1600206-1](#) [163-0301-EX](#) [163-0302](#) [163-0308-EX](#) [163-0310-EX](#) [163-1061-EX](#) [163-1100-EX](#) [163-4024](#) [163-4117-EX](#) [163-4118-EX](#) [163-5005-E](#) [163-7421](#) [163-MJ22-EX](#) [171-0721-EX](#) [171-0725-EX](#) [171-3118-EX](#) [171-3210-E](#) [171-3221-EX](#) [171-3222-EX](#) [171-A1326-EX](#) [173-23507-ST-EX](#) [173-5521TIP-EX](#) [173-6330TIP-EX](#) [KLDVX-SMT-02-ATR](#) [KLDX-0201-AHT-1](#) [KLDX-0202-AHT](#) [KLDX-SMT-0202-BP](#) [KLDX-SMT-0202-BPTR](#) [163-0179-EX](#) [163-0307-E](#) [163-0309-EX](#) [163-4007-EX](#) [163-4015-EX](#) [163-4025](#) [163-4119-E](#) [163-4303-E](#) [16PJ101-EX](#) [171-0702-EX](#) [171-0722-E](#) [171-0726-EX](#) [171-2122-EX](#) [171-3216-EX](#) [171-3218-EX](#) [171-3219-EX](#) [171-3220-EX](#) [171-7391](#) [173-3413-ST-EX](#) [173-4017-ST-EX](#) [RAPCBRK](#) [K596](#)